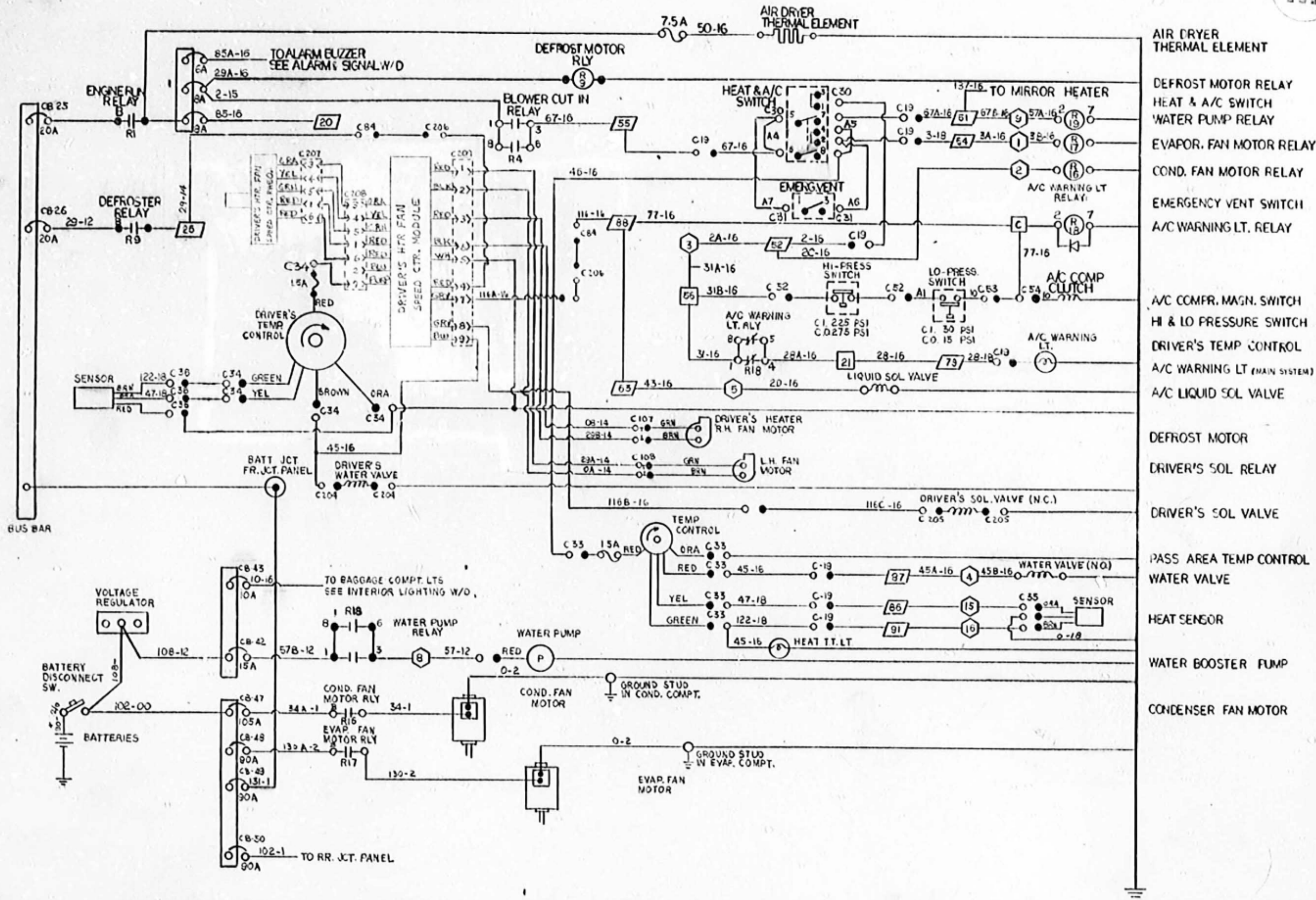


- AIR DRYER THERMAL ELEMENT
- AUX A/C UNIT RELAY
- DEFROST MOTOR RELAY
- HEAT & A/C SWITCH
- WATER PUMP RELAY
- EVAPOR. FAN MOTOR RELAY
- COND. FAN MOTOR RELAY
- Aux A/C UNIT SWITCH
- EMERGENCY VENT SWITCH
- A/C WARNING LT. RELAY
- A/C COMP. MAGN. SWITCH
- HI B LO PRESSURE SWITCH
- DRIVER'S TEMP CONTROL
- A/C WARNING LT. (EVS SYSTEM)
- A/C LIQUID SOL VALVE
- DEFROST MOTOR
- DRIVER'S SOL. RELAY
- DRIVER'S SOL VALVE
- PASS AREA TEMP CONTROL
- WATER VALVE
- HEAT SENSOR
- WATER BOOSTER PUMP
- CONDENSER FAN MOTOR
- EVAPORATOR FAN MOTOR

PREVOST		LEGEND	
	FRONT JUNCTION PANEL		BATTERY JUNCTION BLOCK
	REAR JUNCTION PANEL		SINGLE CONNECTOR
	BATTERY COMPARTMENT		DIODE (RECTIFIER)
	CIRCUIT BREAKER		OPTION
	HARNESS CONNECTOR		

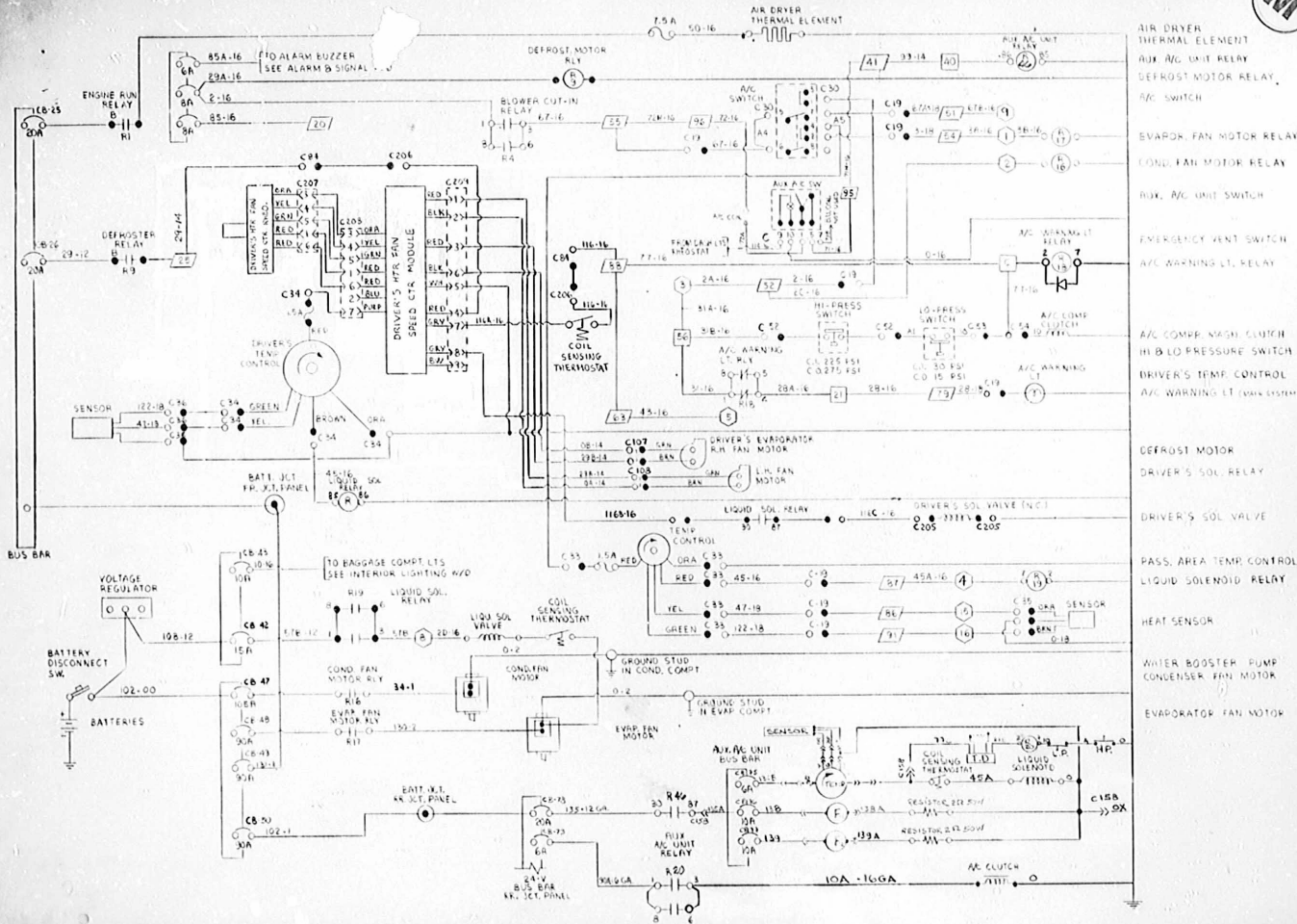
AIR CONDITIONING WIRING DIAGRAM
 WITH A/C AUXILIARY COACHES 102
 EFF. W/L-545 PRIOR TO L-706
 DATE: 87-07

DESS: DV DATE: 89-07
 VER: [Signature] APPR: [Signature]



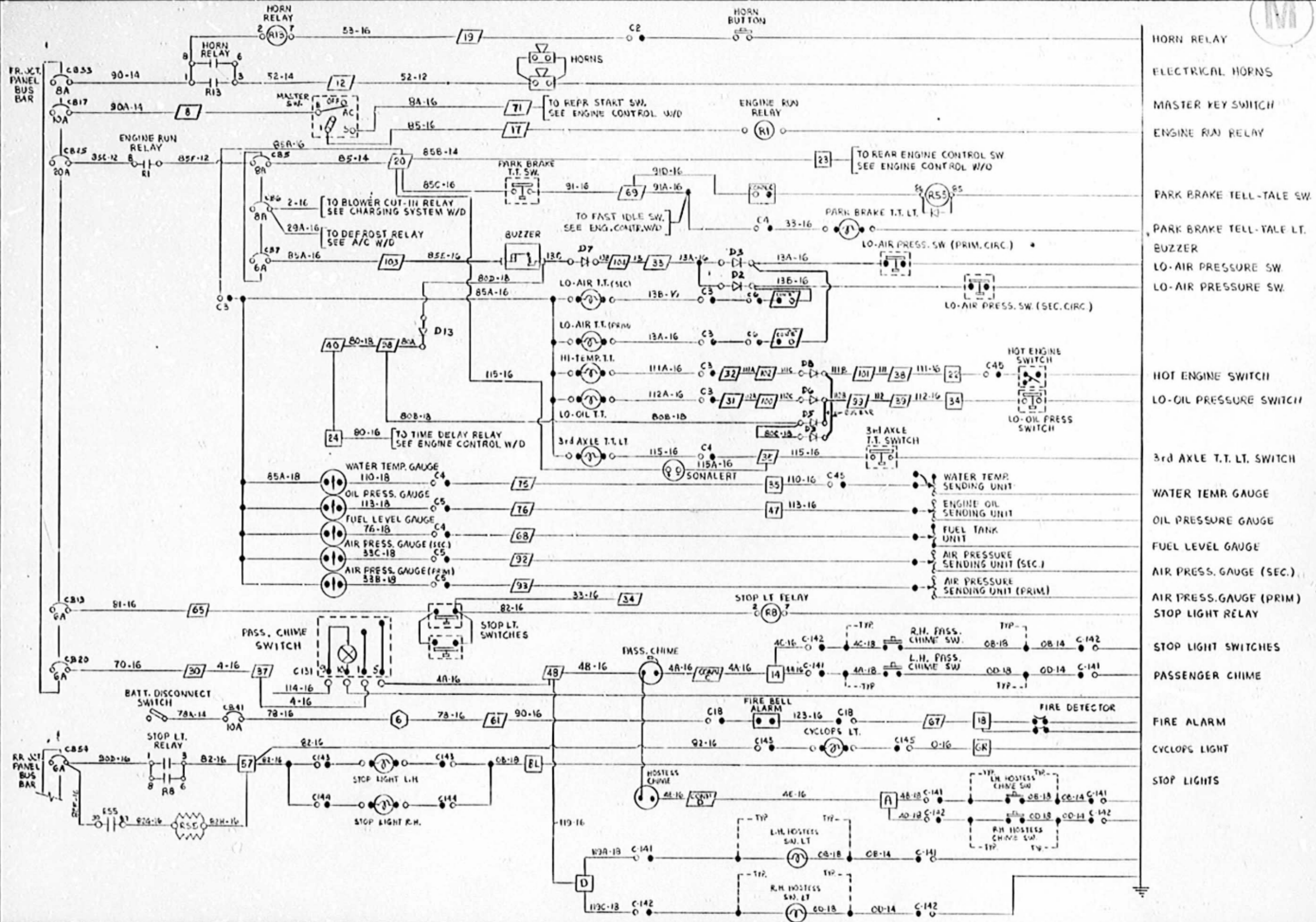
- AIR DRYER THERMAL ELEMENT
- DEFROST MOTOR RELAY
- HEAT & A/C SWITCH
- WATER PUMP RELAY
- EVAPOR. FAN MOTOR RELAY
- COND. FAN MOTOR RELAY
- EMERGENCY VENT SWITCH
- A/C WARNING LT. RELAY
- A/C COMP. MAGN. SWITCH
- HI & LO PRESSURE SWITCH
- DRIVER'S TEMP CONTROL
- A/C WARNING LT. (MAIN SYSTEM)
- A/C LIQUID SOL. VALVE
- DEFROST MOTOR
- DRIVER'S SOL. VALVE
- DRIVER'S SOL. VALVE
- PASS AREA TEMP CONTROL
- WATER VALVE
- HEAT SENSOR
- WATER BOOSTER PUMP
- CONDENSER FAN MOTOR

LEGEND		TITLE: AIR CONDITIONING WIRING DIAGRAM		DESS: DT	DATE: 8/9/07
	FRONT JUNCTION PANEL		BATTERY JUNCTION BLOCK	VER. -	APPR. -
	REAR JUNCTION PANEL		SINGLE CONNECTOR		
	BATTERY COMPARTMENT		DIODE (RECTIFIER)		
	CIRCUIT BREAKER		OPTION		
	HARNESS CONNECTOR	A 20-02 PRIOR TO ADJUSTE EL		APPL: EFF. W/L-545	REF: COACHES 102
ITEM	DATE	REVISION	PAR	PRIOR TO L-706	NO: D-060706



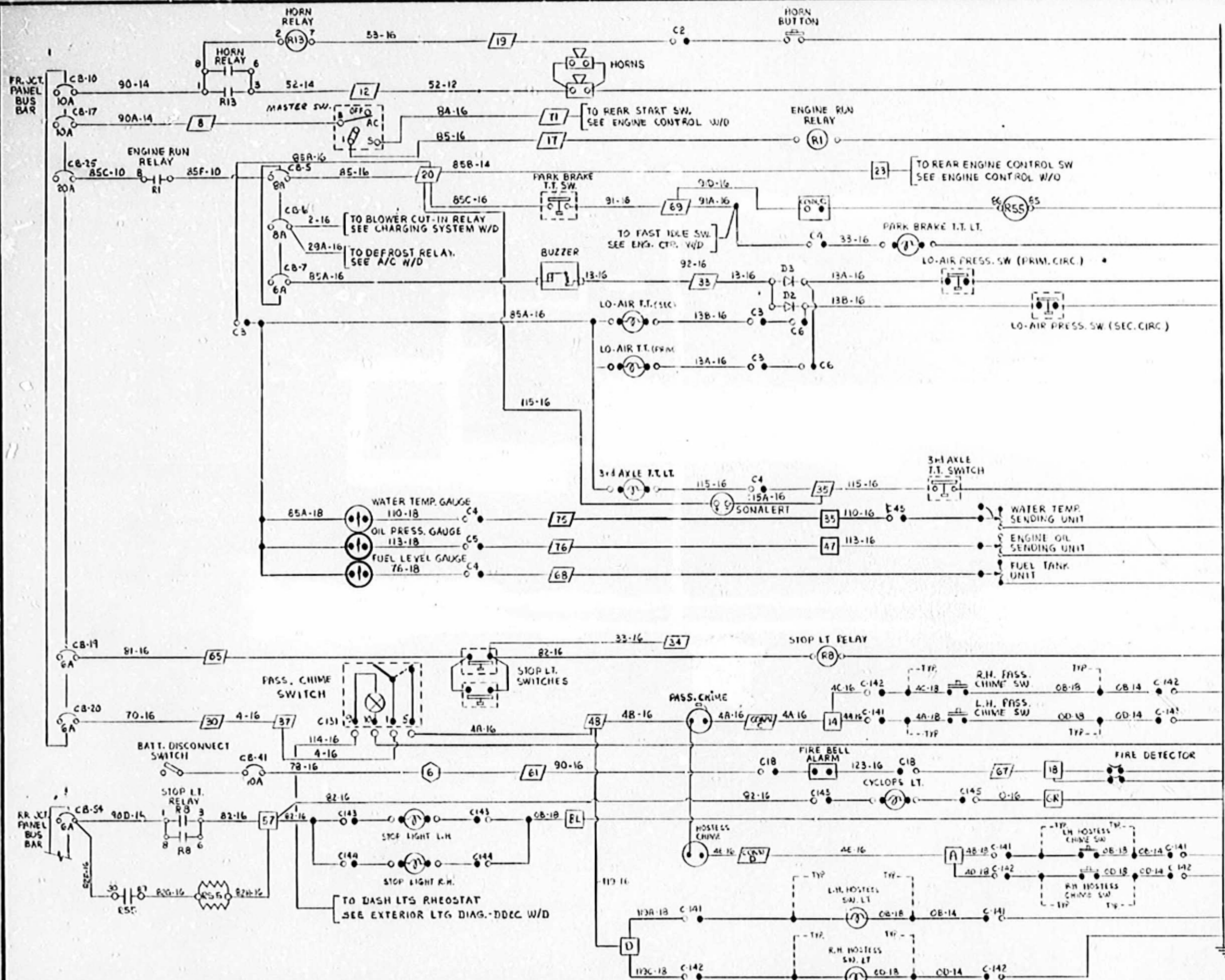
- AIR DRYER THERMAL ELEMENT
- AUX. A/C UNIT RELAY
- DEFROST MOTOR RELAY
- A/C SWITCH
- EVAPOR. FAN MOTOR RELAY
- COND. FAN MOTOR RELAY
- AUX. A/C UNIT SWITCH
- EMERGENCY VENT SWITCH
- A/C WARNING LT. RELAY
- A/C COMP. MAGN. CLUTCH
- HI B LO PRESSURE SWITCH
- DRIVER'S TEMP. CONTROL
- A/C WARNING LT (MAIN SYSTEM)
- DEFROST MOTOR
- DRIVER'S SOL. RELAY
- DRIVER'S SOL. VALVE
- PASS. AREA TEMP. CONTROL
- LIQUID SOLENOID RELAY
- HEAT SENSOR
- WATER BOOSTER PUMP
- CONDENSER FAN MOTOR
- EVAPORATOR FAN MOTOR

LEGEND		TITLE:		DESS:	DATE:
	FRONT JUNCTION PANEL	AIR CONDITIONING WIRING DIAGRAM		DT	89-07
	REAR JUNCTION PANEL	WITH AUXILIARY A/C UNIT, w/o HEATING		APPR: <i>[Signature]</i>	
	BREAKER COMPARTMENT	APPL: EFF. W/L-545	PRIOR TO	REF: CONCHES 102 (OPTION)	NO: D-060708
	HARNESS CONNECTOR	DATE:	REVISION:		C



- HORN RELAY
- ELECTRICAL HORNS
- MASTER KEY SWITCH
- ENGINE RUN RELAY
- PARK BRAKE TELL-TALE SW.
- PARK BRAKE TELL-TALE LT.
- BUZZER
- LO-AIR PRESSURE SW.
- LO-AIR PRESSURE SW.
- HOT ENGINE SWITCH
- LO-OIL PRESSURE SWITCH
- 3rd AXLE T.T. LT. SWITCH
- WATER TEMP. GAUGE
- OIL PRESSURE GAUGE
- FUEL LEVEL GAUGE
- AIR PRESS. GAUGE (SEC.)
- AIR PRESS. GAUGE (PRIM.)
- STOP LIGHT RELAY
- STOP LIGHT SWITCHES
- PASSENGER CHIME
- FIRE ALARM
- CYCLOPS LIGHT
- STOP LIGHTS

DELVOSTA		LEGEND		<p>THIS DOCUMENT IS THE PROPERTY OF DELVOSTA. IT IS TO BE USED ONLY FOR THE PURPOSES SPECIFIED HEREIN. IT IS NOT TO BE REPRODUCED, COPIED, OR TRANSMITTED IN ANY FORM OR BY ANY MEANS, ELECTRONIC OR MECHANICAL, INCLUDING PHOTOCOPYING, RECORDING, OR BY ANY INFORMATION STORAGE AND RETRIEVAL SYSTEM, WITHOUT THE EXPRESS WRITTEN PERMISSION OF DELVOSTA.</p>		TITRE:		DESS: <i>M.J.</i>	DATE: 8/10/09	
<ul style="list-style-type: none"> □ FRONT JUNCTION PANEL □ REAR JUNCTION PANEL ○ BATTERY COMPARTMENT ○ CIRCUIT BREAKER ○ HARNESS CONNECTOR 	<ul style="list-style-type: none"> ○ BATTERY JUNCTION BLOCK ○ SINGLE CONNECTOR ○ DIODE (RECTIFIER) ○ OPTION 	<p>ALARM & SIGNAL WIRING DIAGRAM</p>		VER: <i>lc</i>	APPR: <i>lc</i>	<p>APPL: EFF. W/L 507 PRIOR TO 1-7-06</p>		REF: COACHES-102 NONE DDEC	NO: D-060720	C



- HORN RELAY
- ELECTRICAL HORNS
- MASTER KEY SWITCH
- ENGINE RUN RELAY
- PARK BRAKE TELL-TALE SW
- PARK BRAKE TELL-TALE LT. BUZZER
- LO-AIR PRESSURE SW
- LO-AIR PRESSURE SW (PRIM. CIRC.)
- LO-AIR PRESSURE SW (SEC. CIRC.)
- 3rd AXLE T.T. LT. SWITCH
- WATER TEMP. GAUGE
- OIL PRESSURE GAUGE
- FUEL LEVEL GAUGE
- STOP LIGHT RELAY
- STOP LIGHT SWITCHES
- PASSENGER CHIME
- FIRE ALARM
- CYCLOPS LIGHT
- STOP LIGHTS

LEGEND	
	FRONT JUNCTION PANEL
	REAR JUNCTION PANEL
	BATTERY COMPARTMENT
	CIRCUIT BREAKER
	HARNESS CONNECTOR
	BATTERY JUNCTION BLOCK
	SINGLE CONNECTOR
	DIODE (RECTIFIER)
	OPTION

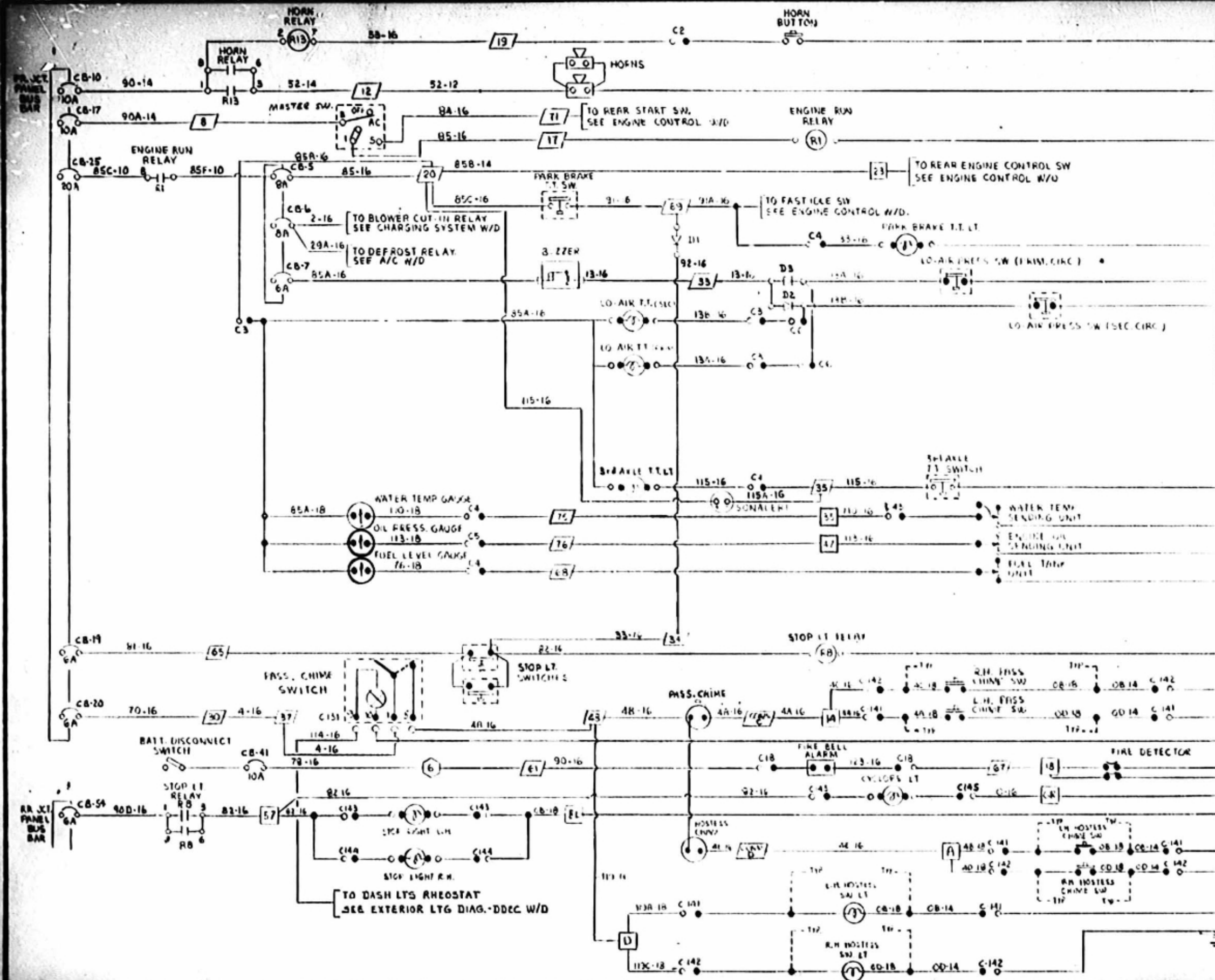
REV	DATE	REVISION	PAR
A	30-08	PRIOR TO REVISE	SL

TITLE: ALARM & SIGNAL WIRING DIAGRAM-DDEC

APPLS: EFF. W/L 507 PRIOR TO L-706

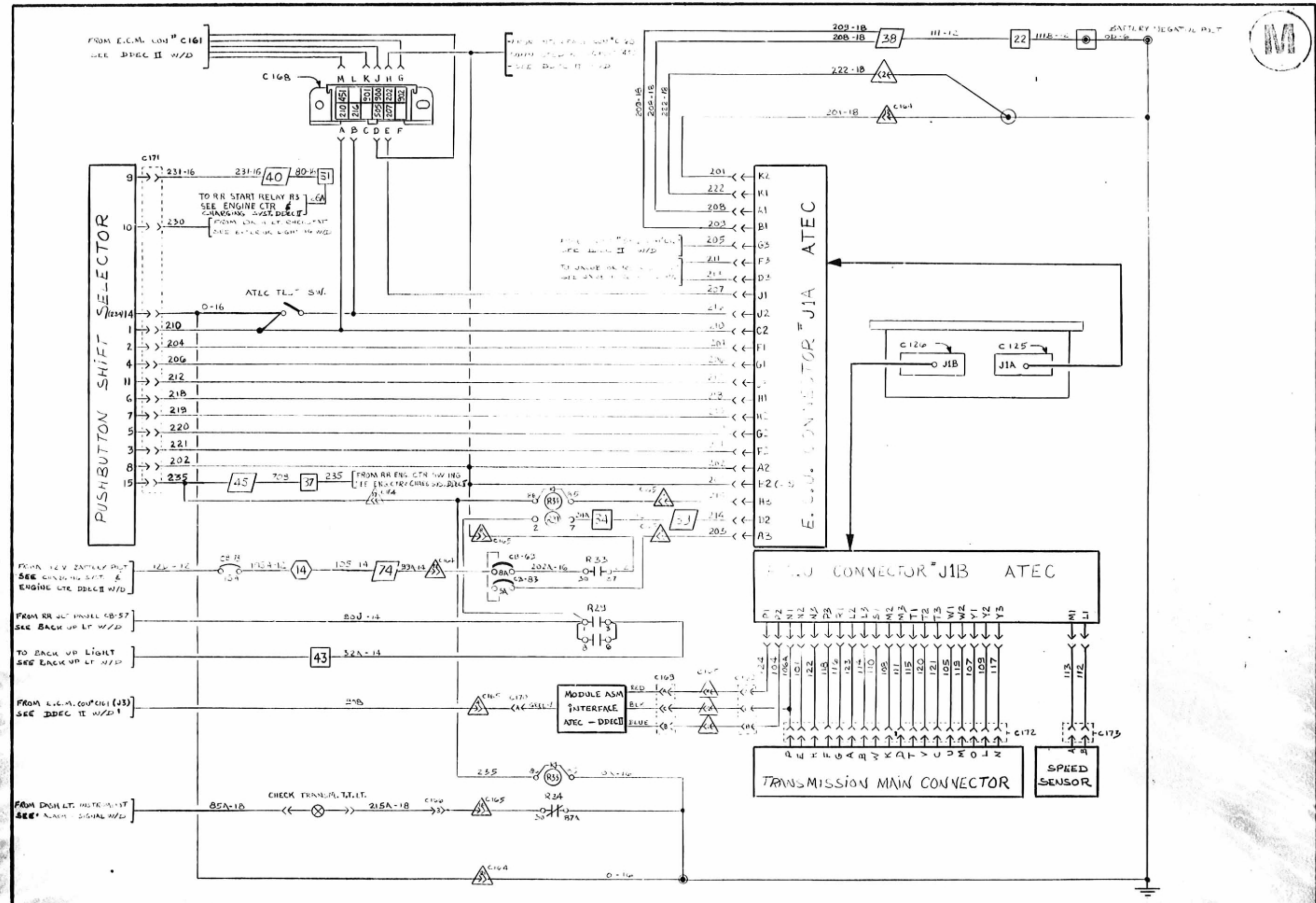
REF: AUTOCAR XL

DESS: <i>KC</i>	DATE: 8/7/07
VER: <i>KC</i>	APPR: <i>R</i>
NO: D-060722	C



- HORN RELAY
- ELECTRICAL HORNS
- MASTER KEY SWITCH
- ENGINE RUN RELAY
- PARK BRAKE TELL-TALE SW
- PARK BRAKE TELL-TALE LT.
- BUZZER
- LO-AIR PRESSURE SW
- LO-AIR PRESSURE SW
- 3rd AXLE T.I. SWITCH
- WATER TEMP GAUGE
- OIL PRESSURE GAUGE
- FUEL LEVEL GAUGE
- STOP LIGHT RELAY
- STOP LIGHT SWITCHES
- PASSENGER CHIME
- FIRE ALARM
- CYCLOPS LIGHT
- STOP LIGHTS

LEGEND				TITLE:		DESS:	DATE:
	MAIN JUNCTION PANEL		BATTERY JUNCTION BLOCK	ALARM & SIGNAL WIRING DIAGRAM-DDEC		VER. -	88-07-07
	BATTERY JUNCTION BLOCK		SINGLE CONNECTOR	B 89-09	PRIOR TO L506 ADJUTE		
	DOUBLE CONNECTOR		HOSE (RECTIFIER)	A 88-03	ADJUTER EFF TO J726		
	OPTION			ITEM DATE	REVISION	APPL: EFF TO J726 PRIOR TO L506	REF: AUTOCAR XL
						NO: D-060687	



LEGEND	
	FRONT JUNCTION PANEL
	REAR JUNCTION PANEL
	BATTERY COMPARTMENT
	CIRCUIT BREAKER
	HARNESS CONNECTOR
	BATTERY JUNCTION BLOCK
	SINGLE CONNECTOR
	DIODE (RECTIFIER)
	OPTION

ITEM	DATE	REVISION	PAR
C	88/09	ADJUTER EFF TO J726	BC
B	88/08	CD # 14764	BC
A	88/03		

TITRE: ATEC "DDEC II" W/D

APPL: EFF TO J726

REF: AUTOCAR XL

DESS: BC

DATE: 24-03-88

VER: [Signature]

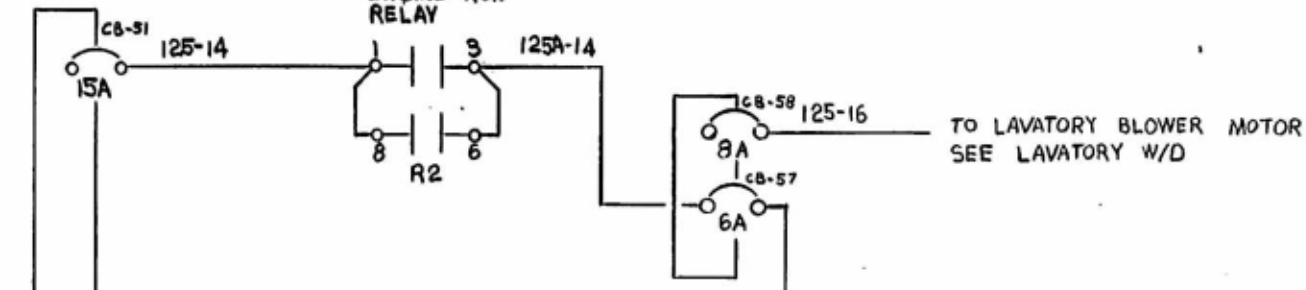
APPR: [Signature]

NO: D-060665

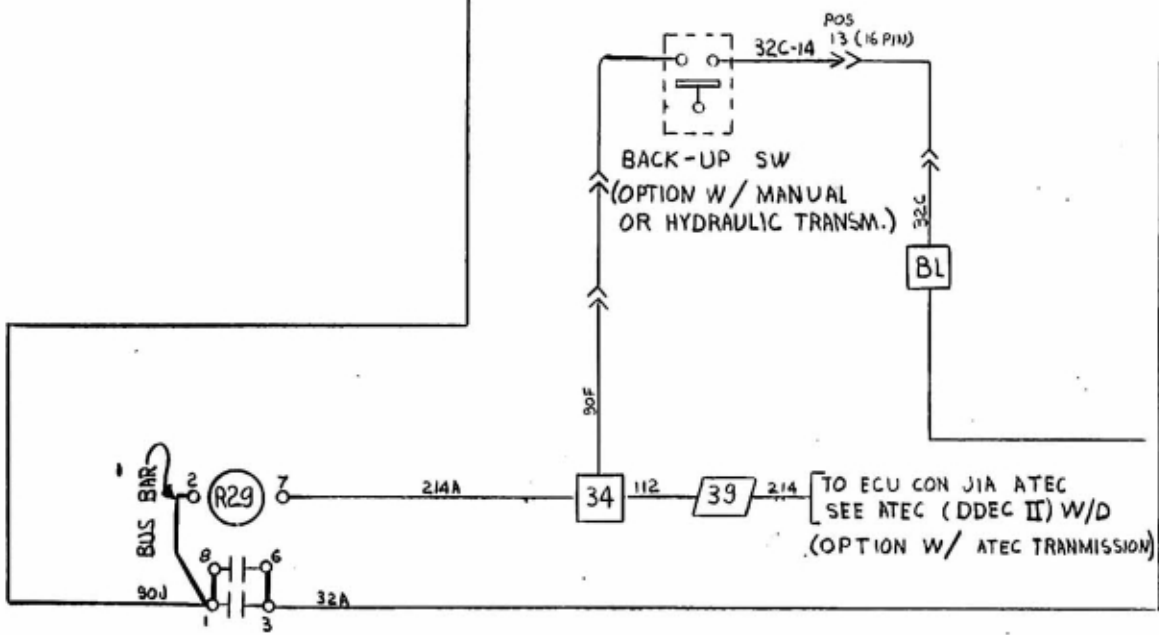
C

24-V
BUS BAR
RR. JCT. PANEL

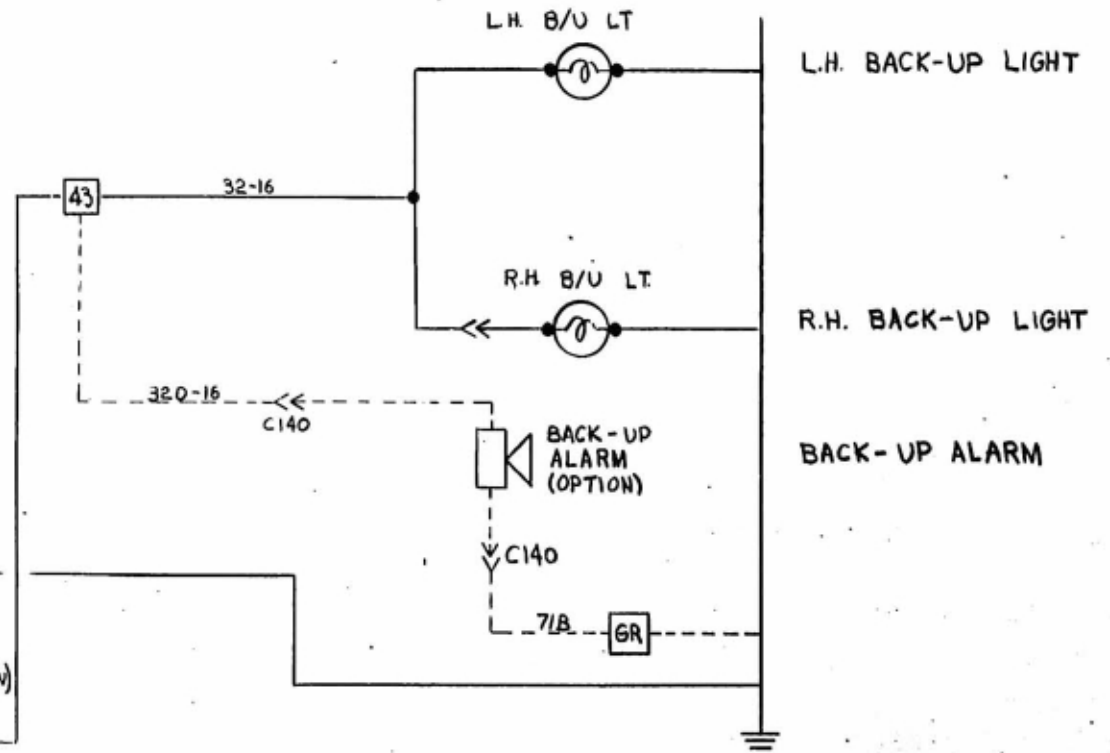
REAR
ENGINE RUN
RELAY



TO LAVATORY BLOWER MOTOR
SEE LAVATORY W/D



TO ECU CON J1A ATEC
SEE ATEC (DDEC II) W/D
(OPTION W/ ATEC TRANSMISSION)



L.H. B/U LT
L.H. BACK-UP LIGHT

R.H. B/U LT
R.H. BACK-UP LIGHT

BACK-UP ALARM

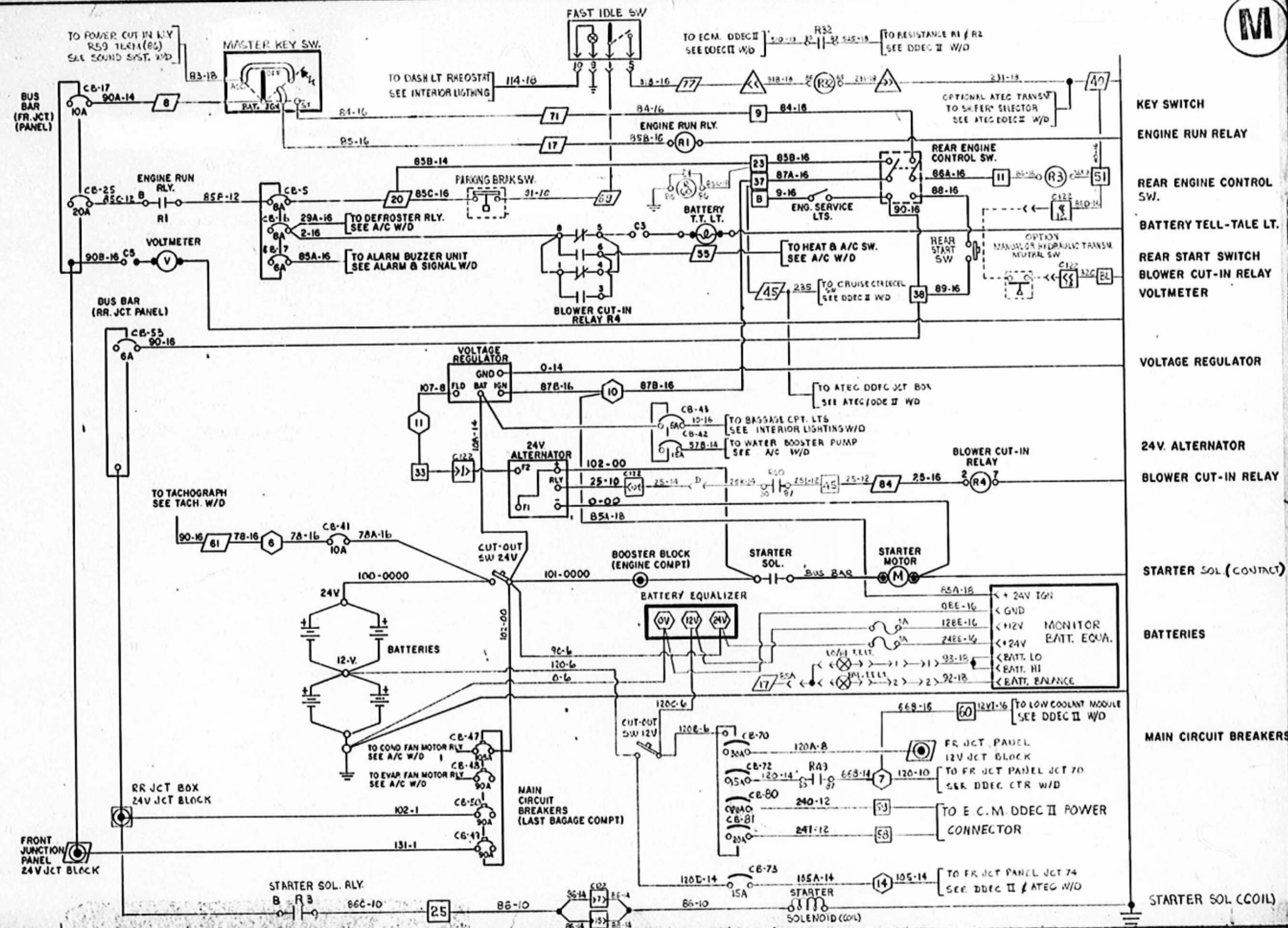
LEGEND

	24-V BUS BAR
	REAR JUNCTION PANEL
	BATTERY JUNCTION BLOCK
	SINGLE CONNECTOR
	FUSE (RESISTOR)
	OPTION

ITEM	DATE	REVISION
A	88 09	MISE A JOUR

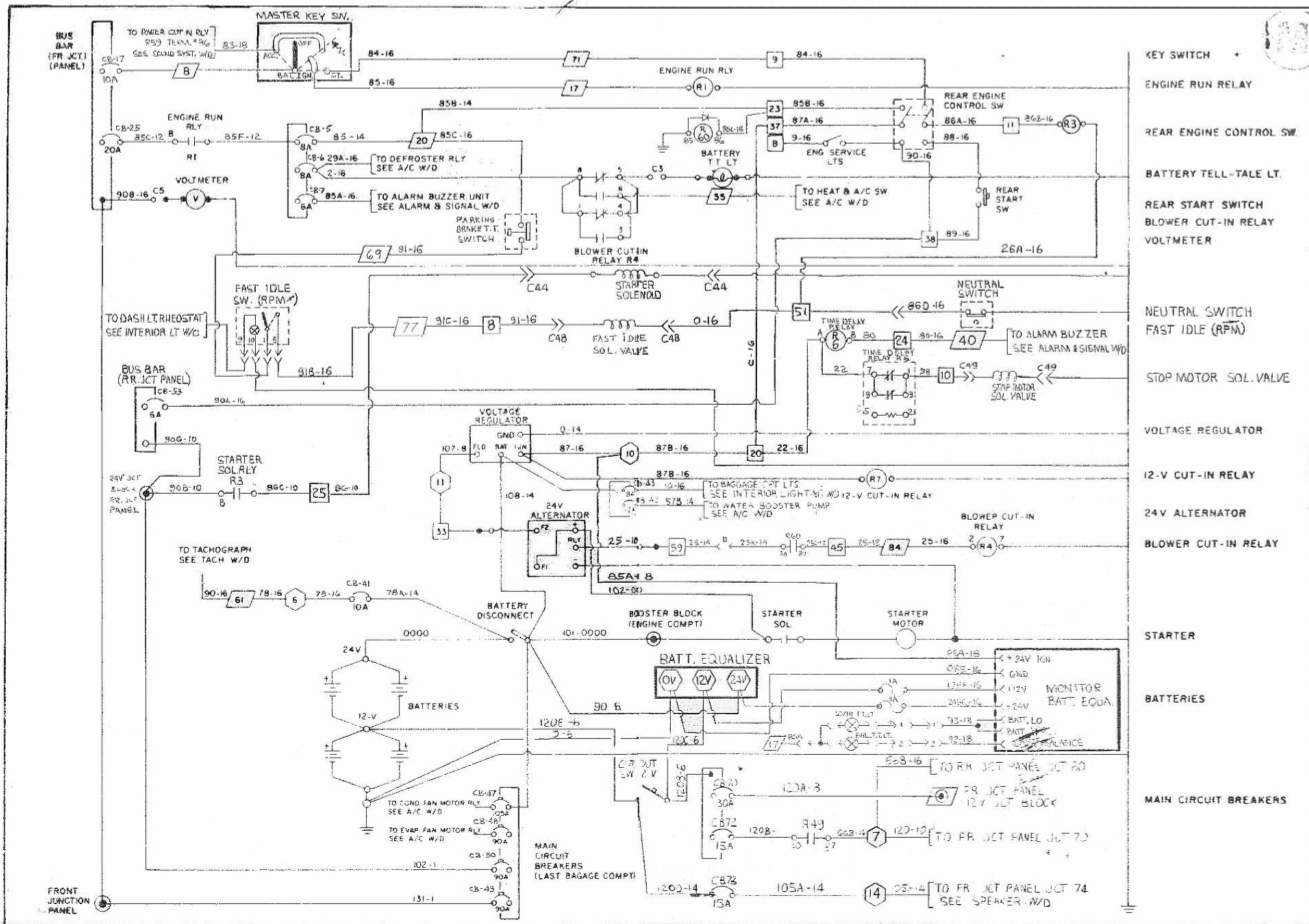
TITRE:	BACK-UP LT. WIRING DIAGRAM
APPL:	J 613, J615, J617, J-726
REF:	AUTOCAR XL

DESS:	B.C.	DATE:	28-03-88
VER.:	C	APPR.:	
NO:	D-060669		C



- KEY SWITCH
- ENGINE RUN RELAY
- REAR ENGINE CONTROL SW.
- BATTERY TELL-TALE LT.
- REAR START SWITCH
- BLOWER CUT-IN RELAY
- VOLTMETER
- VOLTAGE REGULATOR
- 24V. ALTERNATOR
- BLOWER CUT-IN RELAY
- STARTER SOL. (CONTACT)
- BATTERIES
- MAIN CIRCUIT BREAKERS
- STARTER SOL. (COIL)

LEGEND 		TITLE: CHARGING SYST. & ENGINE CTR. DDEC II WIRING DIAGRAM		DESS: M/J VER.: C	DATE: 89-11 APPR.:
FRONT JUNCTION PANEL (FR. JCT. PANEL) (RR. JCT. PANEL)	BATTERY JUNCTION BLOCK (BATT. JCT. BLOCK)	ITEM: B DATE: 89-08 REVISION: PRIOR TO ADJUST.	PAR: 52	APPL: EFF. W/ L-599 L-706	REF: AUTOCAR XL
FRONT JUNCTION PANEL (FR. JCT. PANEL) (RR. JCT. PANEL)		MAIN CIRCUIT BREAKERS (LAST BAGAGE COMPT)		NO: D-060742	



LEGEND		REVISIONS		TITRE	DESS	DATE
	FRONT JUNCTION PANEL		BATTERY JUNCTION BLOCK	C 91-10	MISE A JOUR	102-00
	REAR JUNCTION PANEL		CABLE CONNECTOR	B 90-08	PROG. TO ADJUST	
	BATTERY CONNECTOR		DIODE RECTIFIER	A 89-11	CONVERT. 2804 & 2913-3	
	CIRCUIT BREAKER		DIODE			
	MAIN 35 CONNECTOR					

APPL. EFF. W/ L599	PRIOR TO L-705	REF. AUTOCAD NONE	SOEC
NO: D-060741			

11

58

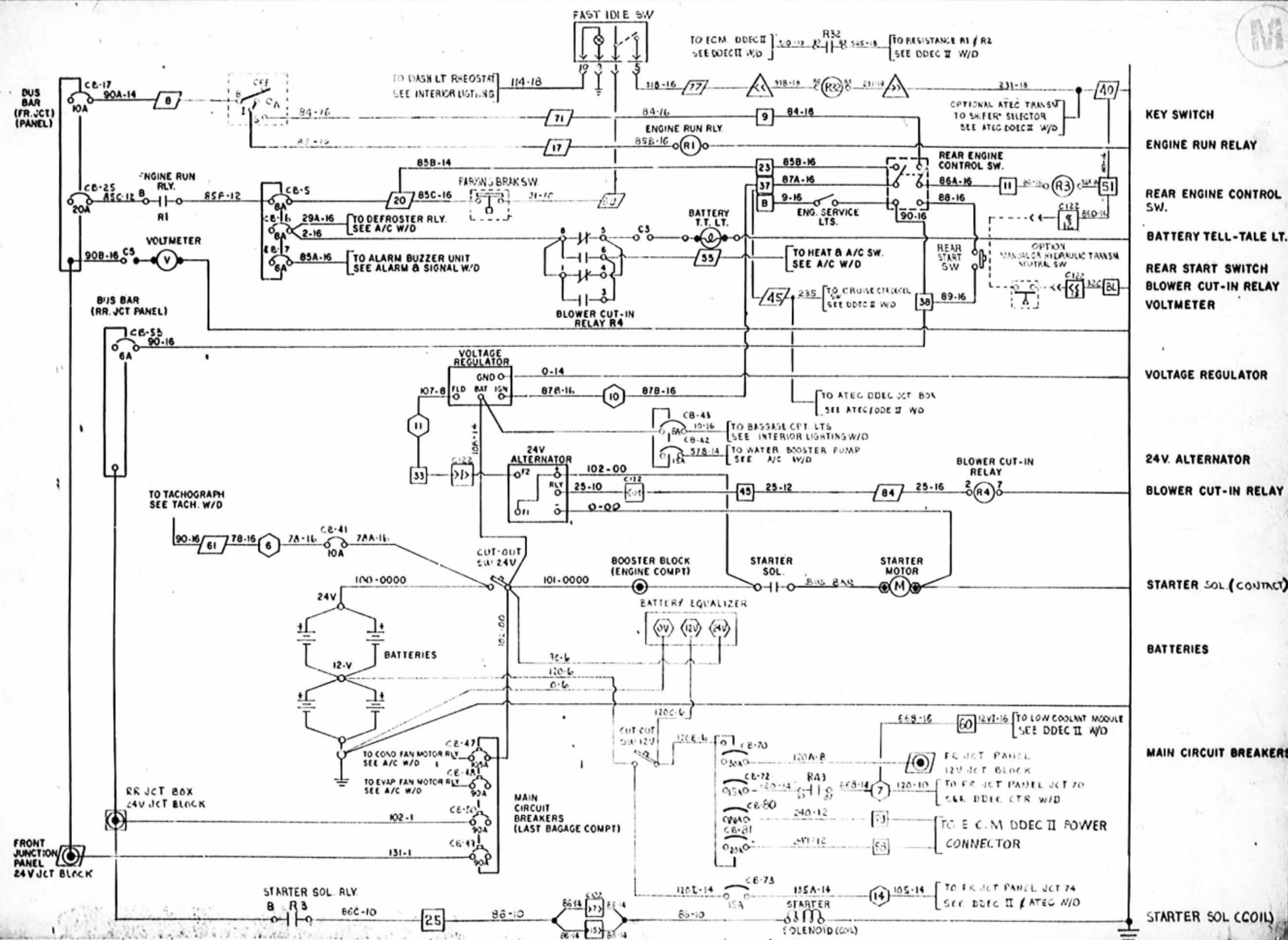
8.5"

11"

11

58

11"



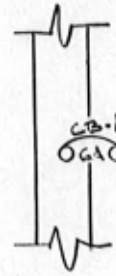
ITEM	DATE	REVISION	PAR	APPL:	REF:	NO:
C	89-11	PRIOR TO	ROUTE	J 613, J 615, J 617, J 726	REF1, AUTOCAR XL	D-060666
B	88-03	VOIR CD # 15266	BC			
A	88-03	LANCE OC# 8848	DT			

DESIGN: B.C.	DATE: 24-03-88
VER: <i>lc</i>	APPR: <i>[Signature]</i>

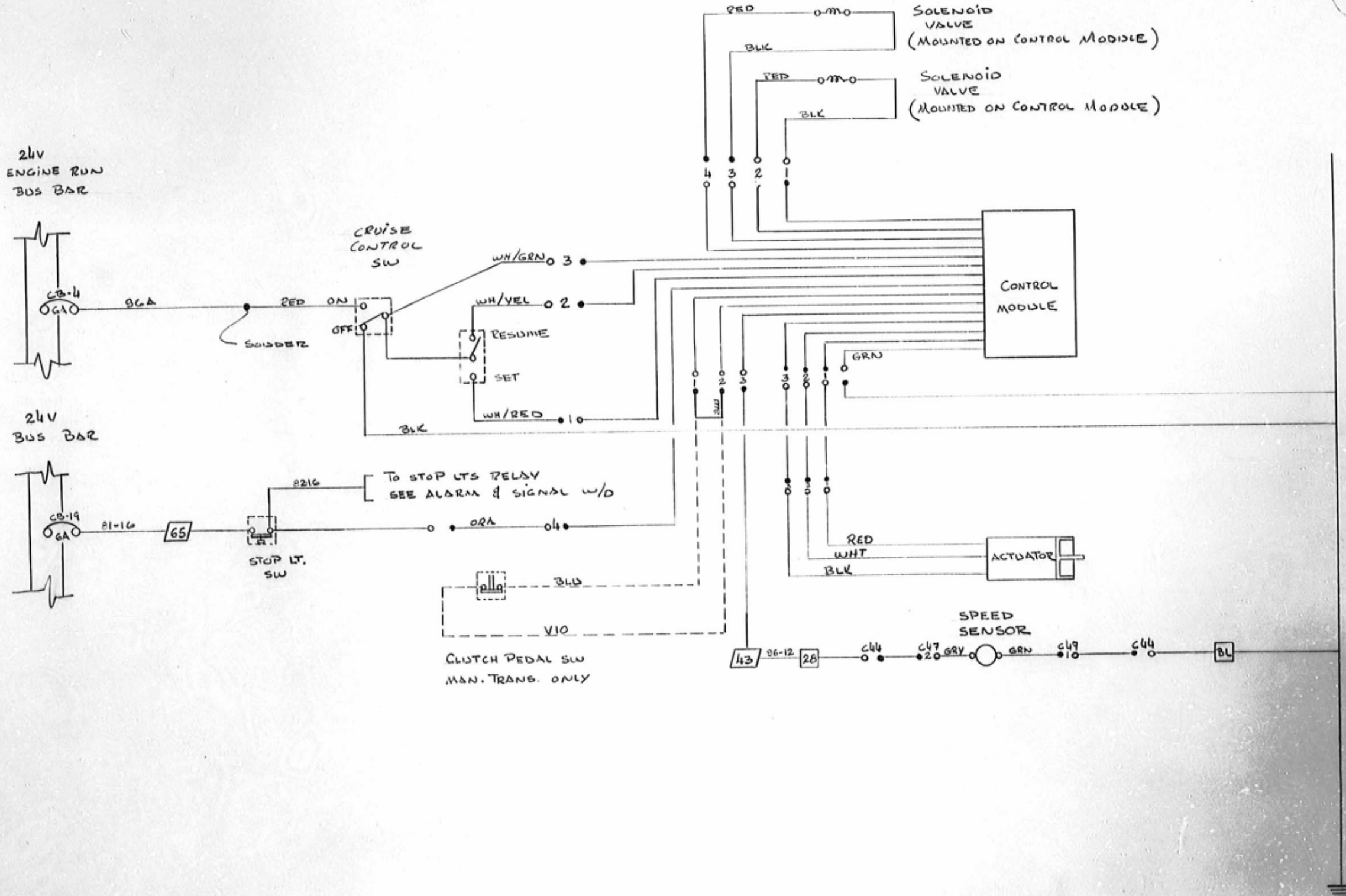
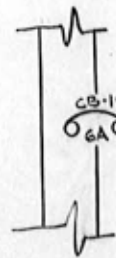
CHARGING SYST. / ENGINE CTR. DDEC II WIRING DIAGRAM	
NO: D-060666	C



24V
ENGINE RUN
BUS BAR

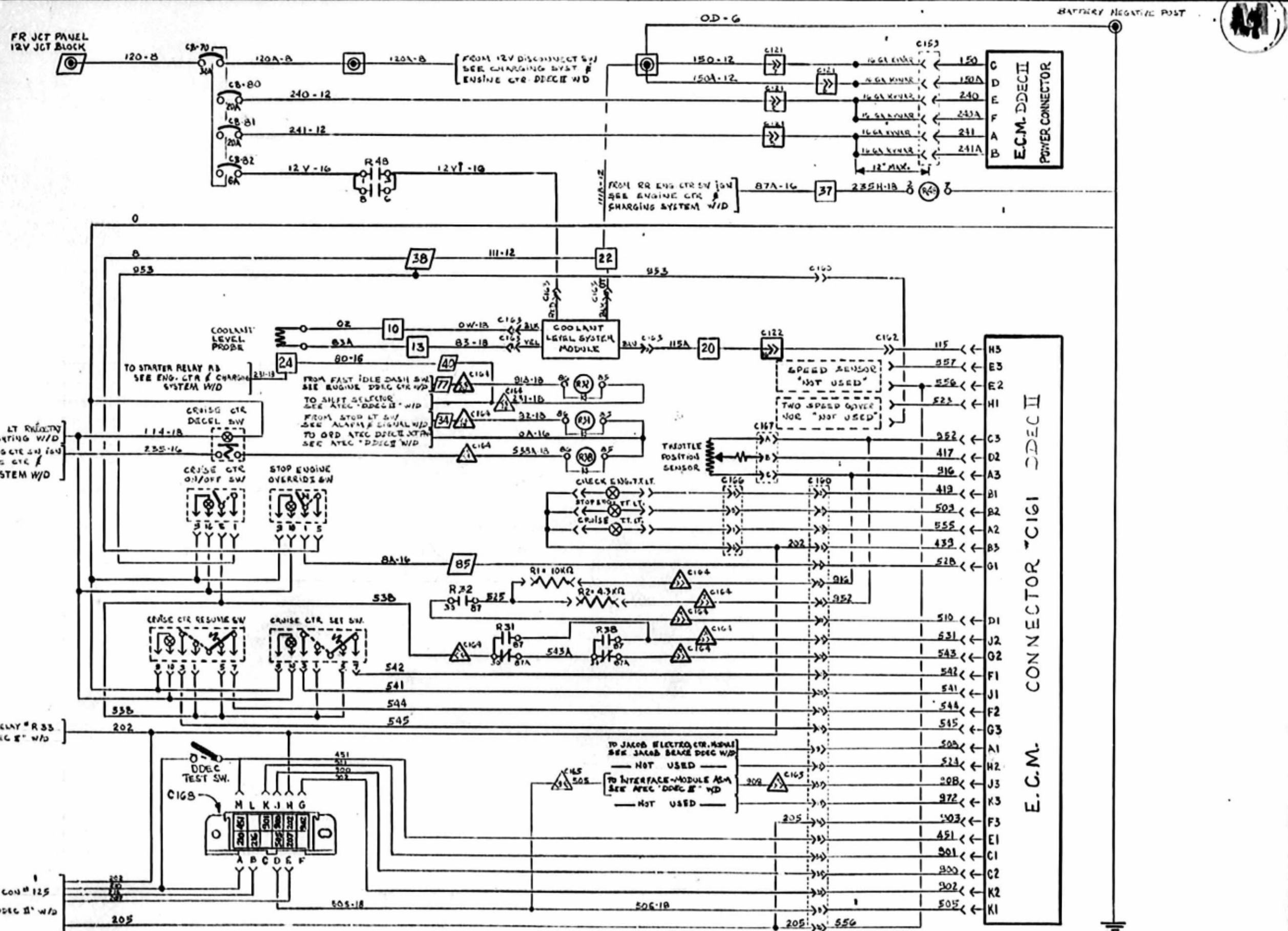


24V
BUS BAR



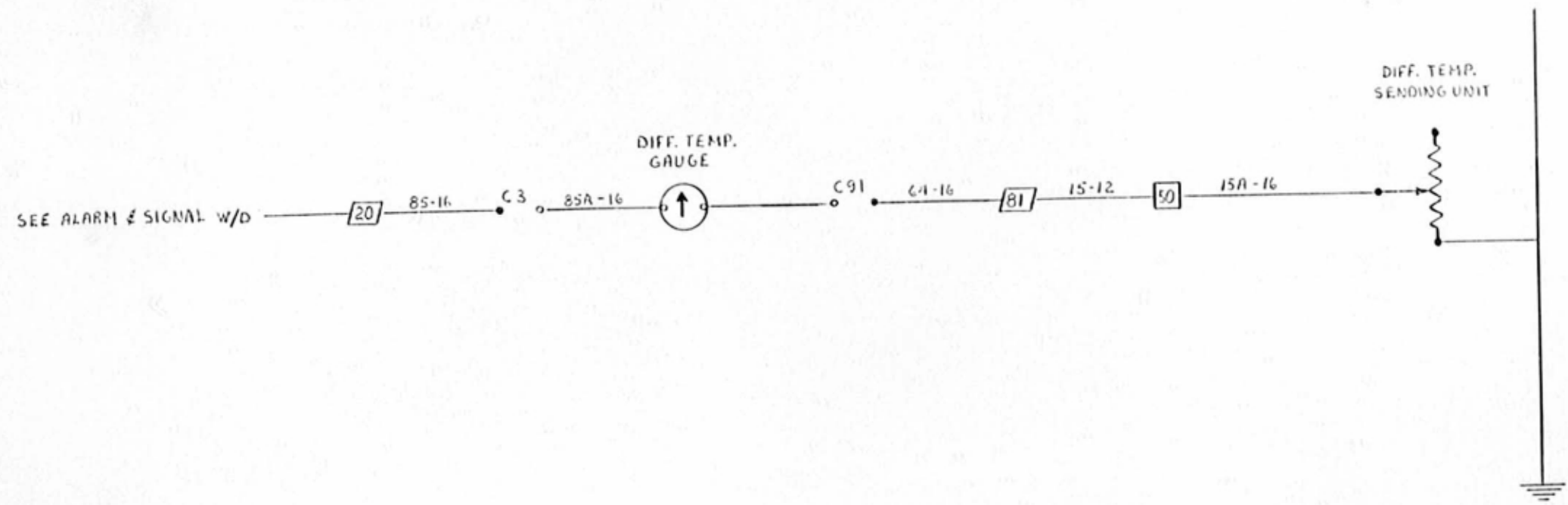
PREVOST		LEGEND	
	FRONT JUNCTION PANEL		BATTERY JUNCTION BLOCK
	REAR JUNCTION PANEL		SINGLE CONNECTOR
	BATTERY COMPARTMENT		DIODE (RECTIFIER)
	CIRCUIT BREAKER		OPTION
	HARNESS CONNECTOR		

BENDIX CRUISE CONTROL WIRING DIAGRAM.
EFF. XL NONE DDEC



LEGEND		REVISION		TITLE		DESS:	DATE:
FRONT JUNCTION PANEL	BATTERY JUNCTION BLOCK	E 90-08	ADDED TO ASSEMBLY	M/	DDEC II WIRING DIAGRAM	C	87-11-26
REAR JUNCTION PANEL	SINGLE CONNECTOR	D 89/05	DDEC TEST SW. ADDED	M/			
BATTERY COMPARTMENT CIRCUIT BREAKER	SHOE (RECTIFIER)	C 88/05	MISE @ JOUR	M/			
WIRING CONNECTOR	OPTION	B 88/04	MISE @ JOUR	B.C			
		A 88/03	MISE A JOUR	M/			
		ITEM DATE	REVISION	PAR	APPL: J523, J540. PRIOR TO L-684	REF: CAROLSERIE D'AUTOCAR	NO: D-060644

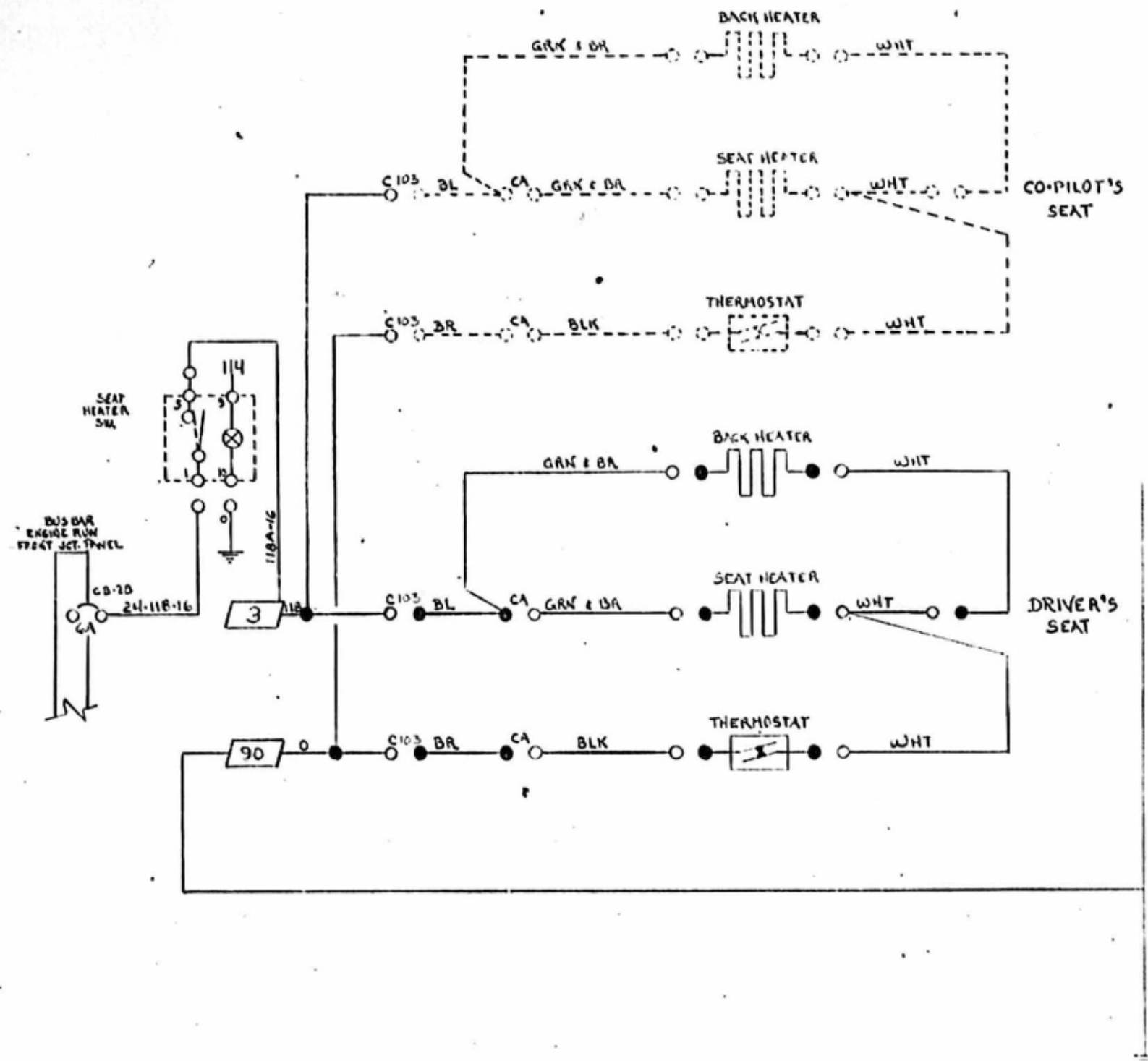
17



PREVOST		LEGEND	
	FRONT JUNCTION PANEL		BATTERY JUNCTION BLOCK
	REAR JUNCTION PANEL		SINGLE CONNECTOR
	BATTERY COMPARTMENT		DIODE (RECTIFIER)
	CIRCUIT BREAKER		OPTION
	HARNESS CONNECTOR		

DIFFERENTIAL OIL TEMP. WIRING DIAGRAM
 EFF W/E-638 MODEL "XL" PRIOR TO L-706
 DATE: 86-02

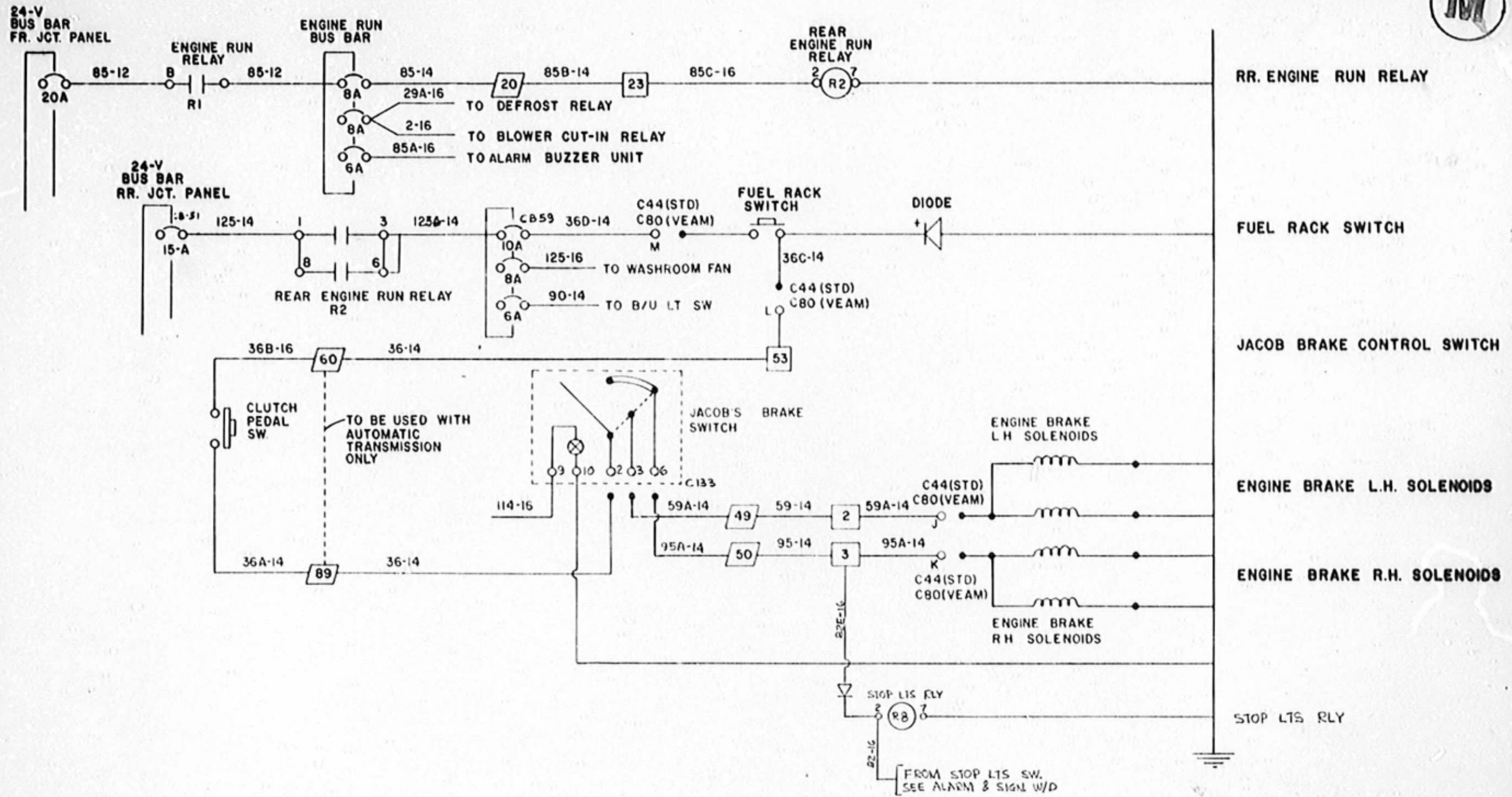
D-060519



PREVOST		LEGEND	
	FRONT JUNCTION PANEL		BATTERY JUNCTION BLOCK
	REAR JUNCTION PANEL		SINGLE CONNECTOR
	BATTERY COMPARTMENT		DIODE (RECTIFIER)
	CIRCUIT BREAKER		OPTION
	HARNESS CONNECTOR		

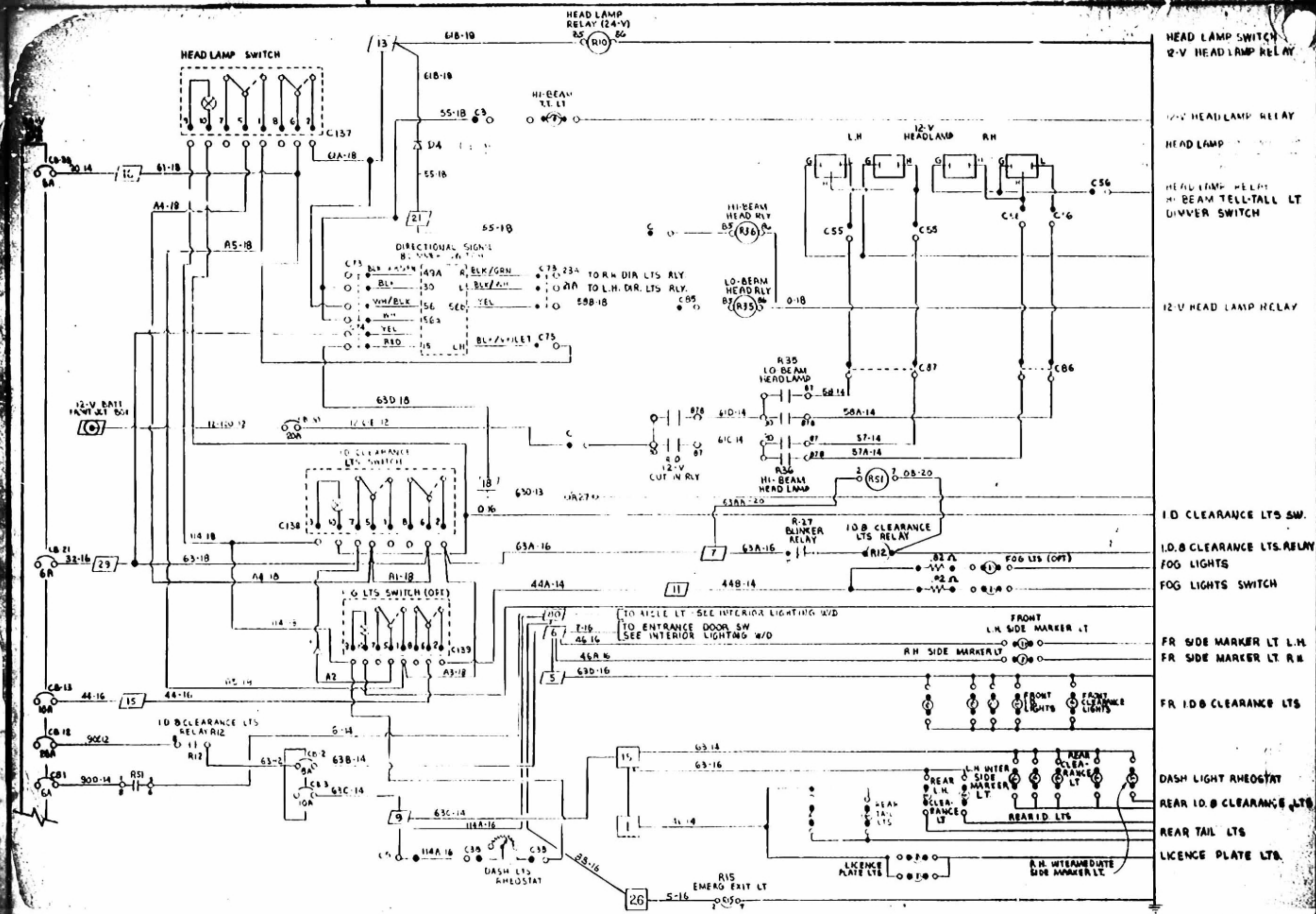
SEAT HEATER WIRING DIAGRAM

EFF. W/E. XL PRIOR TO L-706



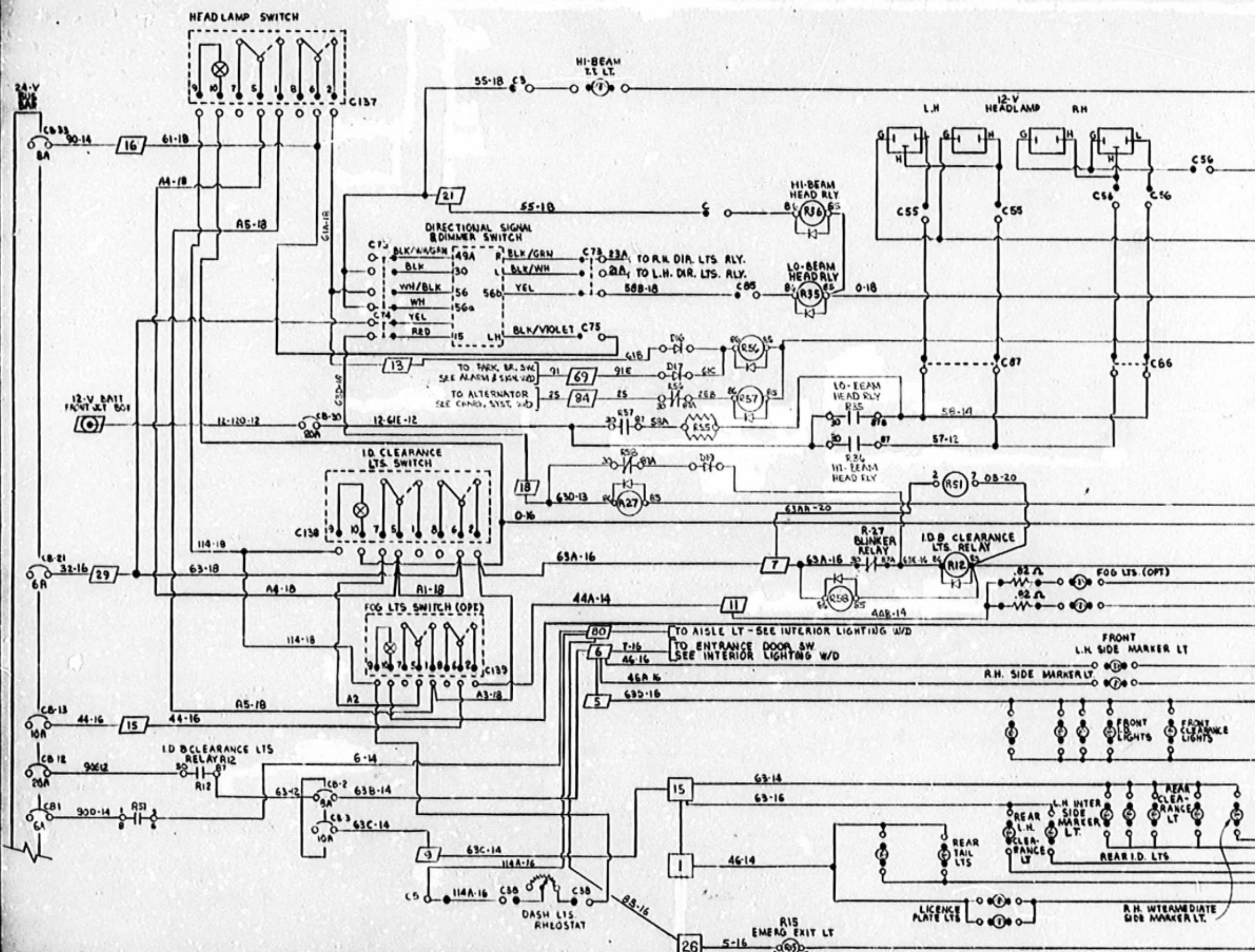
					DESCRIPTION:	DR.-	DATE-89/09
					JACOB-ENGINE BRAKE W/D	CR.-	APPR.-
B	23-08	PRIOR TO ADJUST	G.L				
A	89-11	DIODE ADJUST & RB	M				
TSM	DATE	REVISION	BY	APPL: EFF. W/L 507	PRIOR TO: L-706	REF: 'XL' NONE DDEC	NO: D-060723

C



- HEAD LAMP SWITCH
- 2-V HEAD LAMP RELAY
- 12-V HEADLAMP RELAY
- HEAD LAMP
- HEAD LAMP HELPT
- HI-BEAM TELL-TALL LT
- DIMMER SWITCH
- 12-V HEAD LAMP RELAY
- I.D. CLEARANCE LTS SW.
- I.D.B. CLEARANCE LTS.RELAY
- FOG LIGHTS
- FOG LIGHTS SWITCH
- FR SIDE MARKER LT L.H.
- FR SIDE MARKER LT R.H.
- FR I.D.B. CLEARANCE LTS
- DASH LIGHT RHEOSTAT
- REAR I.D.B. CLEARANCE LTS
- REAR TAIL LTS
- LICENCE PLATE LTS.

LEGEND		REVISION		TITLE	DESS	DATE
○	WIRE AND/OR BOND	B	89-09	PRICE TO L506 N501E	M.L.S	86/11/85
○	WIRE AND/OR BOND	A	88-03	K753 DEVIENT J726	VER. -	APPR. -
○	WIRE AND/OR BOND	TEM	DATE	REVISION	PAR	
○	WIRE AND/OR BOND					
				APPLT. 413, 415, 617, 726	REF: AUTOCAR XL	NOI D-060685



- HEAD LAMP SWITCH
- HI-BEAM TELL-TALL LT. HEAD LAMP
- HEAD LAMP RELAY
- DIMMER SWITCH
- 12-V HEAD LAMP RELAY
- I.D. CLEARANCE LTS. SW.
- I.D.B. CLEARANCE LTS. RELAY
- FOG LIGHTS
- FOG LIGHTS SWITCH
- FR. SIDE MARKER LT. L.H.
- FR. SIDE MARKER LT. R.H.
- FR. I.D.B. CLEARANCE LTS.
- DASH LIGHT RHEOSTAT
- REAR I.D.B. CLEARANCE LTS.
- REAR TAIL LTS.
- LICENCE PLATE LTS.

LEGEND

○	SWITCH
○	RELAY
○	RESISTOR
○	DIODE
○	DIODE (OPT)
○	OPTION

ITEM	DATE	REVISION	PAR
8	91-01	EMERGENCY DECK DOOR	17
1A	90-08	FRONT TO ADJUST	22

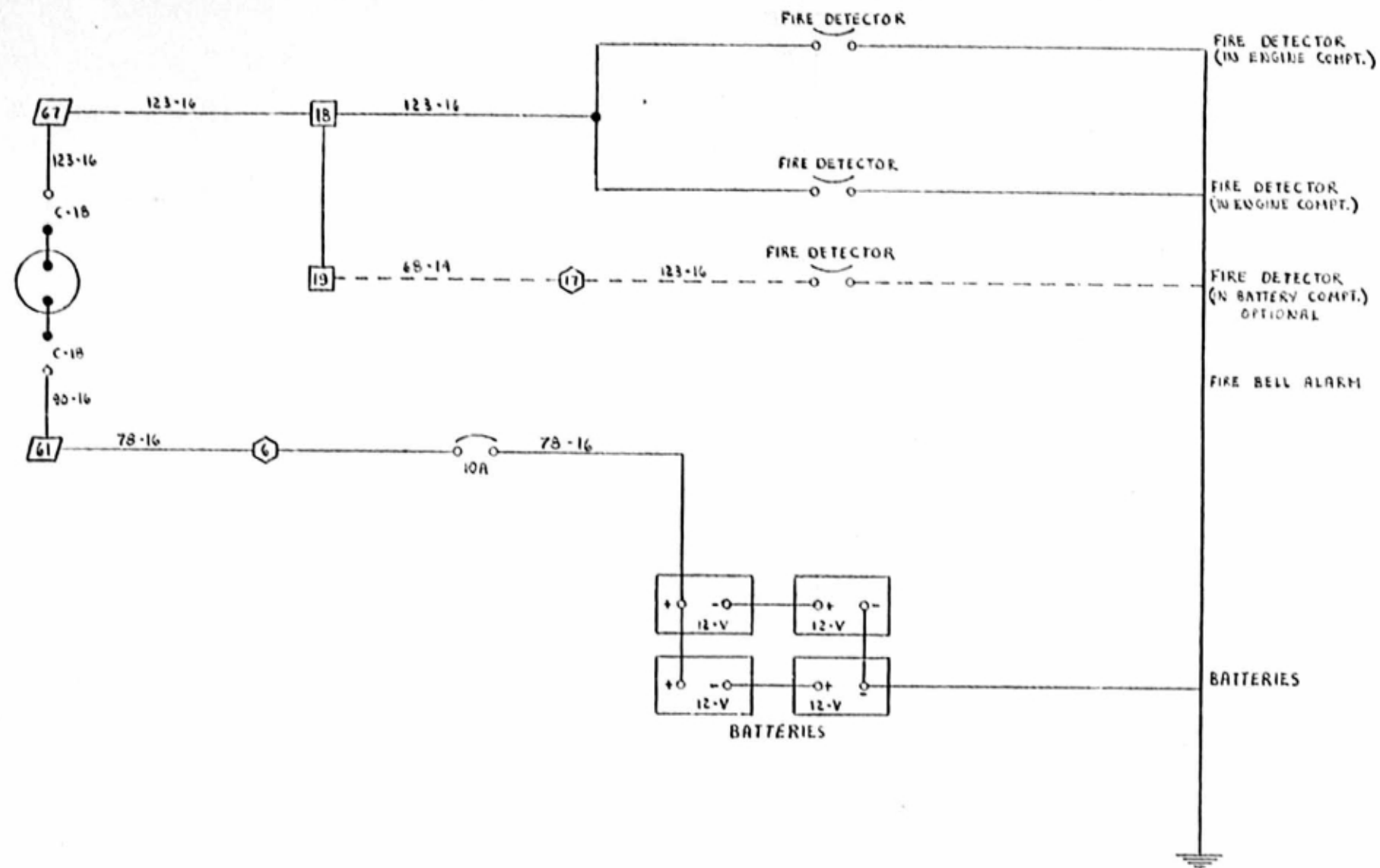
TITRE: EXTERIOR LIGHTING WIRING DIAGRAM (DAY LTS.)

APPLI EFF. W/L 507, PRIOR TO L-706 REF: AUTOCAR XL

DESS: M.L.S. DATE: 89/09

VER: [Signature] APPR: [Signature]

NO: D-060716 C

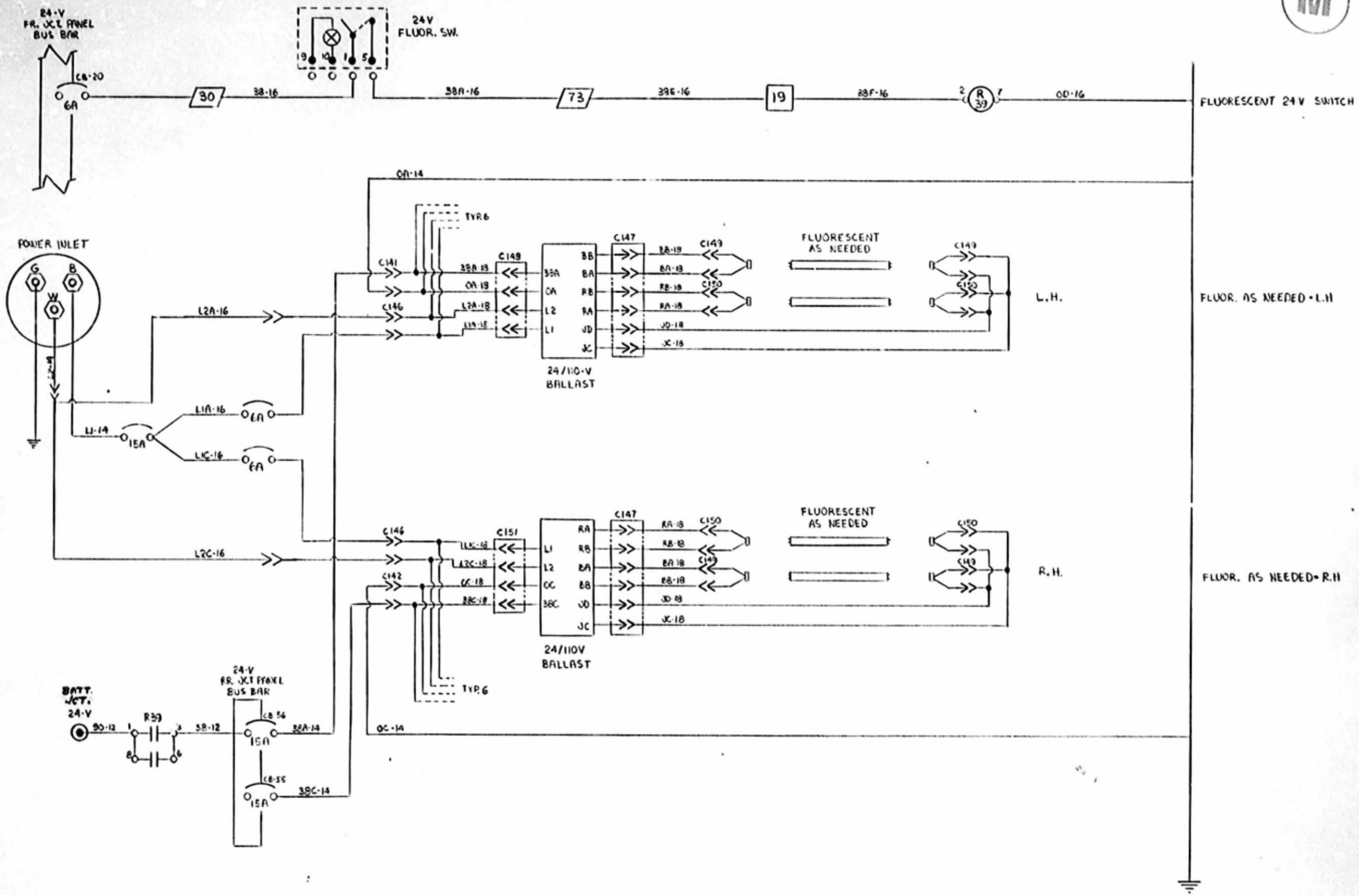


PREVOST		LEGEND	
	FRONT JUNCTION PANEL		BATTERY JUNCTION BLOCK
	REAR JUNCTION PANEL		SINGLE CONNECTOR
	BATTERY COMPARTMENT		DIODE (RECTIFIER)
	CIRCUIT BREAKER		OPTION
	HARNESB CONNECTOR		

112 (C-1)

FIRE ALARM WIRING DIAGRAM
 EFF. W/E-730 P. 104-84
 DATE 1-04-84

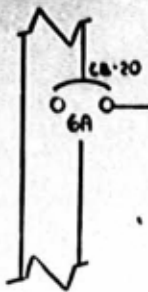
D-060442



LEGEND		TITRE:		DESS: M.d.f	DATE: 87-02
	FRONT JUNCTION PANEL	B	90-08	PRIOR TO ADJUST	G.L.
	REAR JUNCTION PANEL	A	88/02	DEVIANT ->	M.P.
	BATTERY COMPARTMENT				
	CIRCUIT BREAKER				
	HARNESS CONNECTOR				
	BATTERY JUNCTION BLOCK				
	SINGLE CONNECTOR				
	DIODE (RECTIFIER)				
	OPTION				
		APPL: EFF. W/11-290	PRIOR TO L-706	REF: 'XL'	
		NO: D-060611			C



64-V
FR. JCT. PANEL
BUS BAR



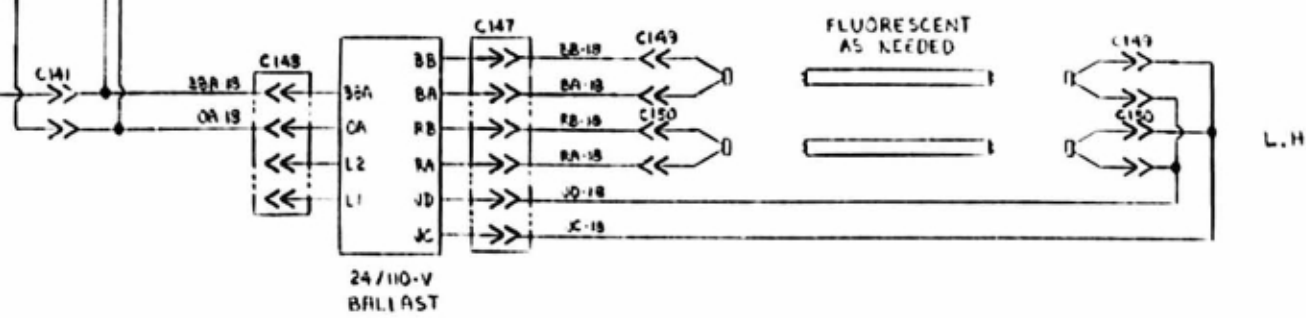
24V
FLUOR. SW.



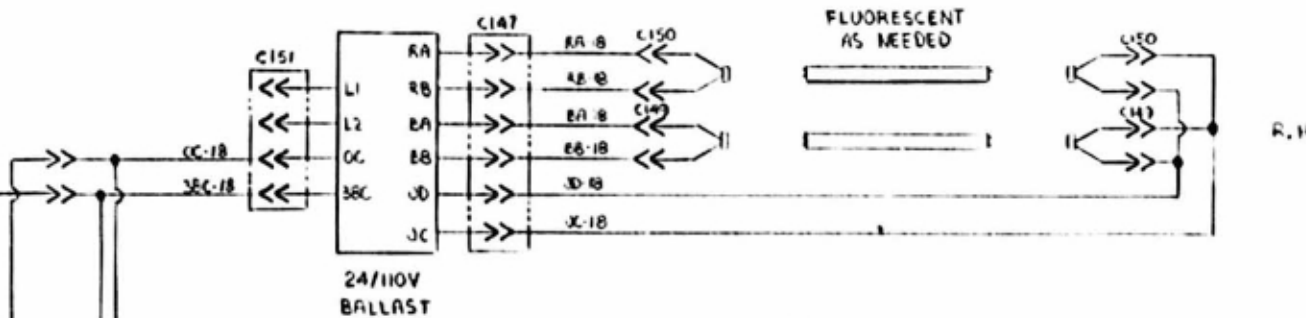
FLUORESCENT 24-V SWITCH

0A-14

TYR 6

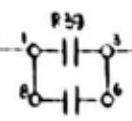


FLUOR. AS NEEDED L.H.

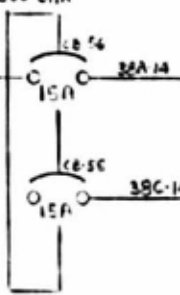


FLUOR. AS NEEDED R.H.

BATTERY
JUNCTION
24-V



24-V
R.R. JCT. PANEL
BUS BAR



TYR 6

0C-14



LEGEND

- BATTERY JUNCTION BLOCK
- SINGLE CONNECTOR
- DIODE (RECTIFIER)
- OPTION

ITEM	DATE	REVISION	PAR
A	90-08	PRIOR TO ADJUST	G.L.

TITLE: FLUORESCENT 24V W/D

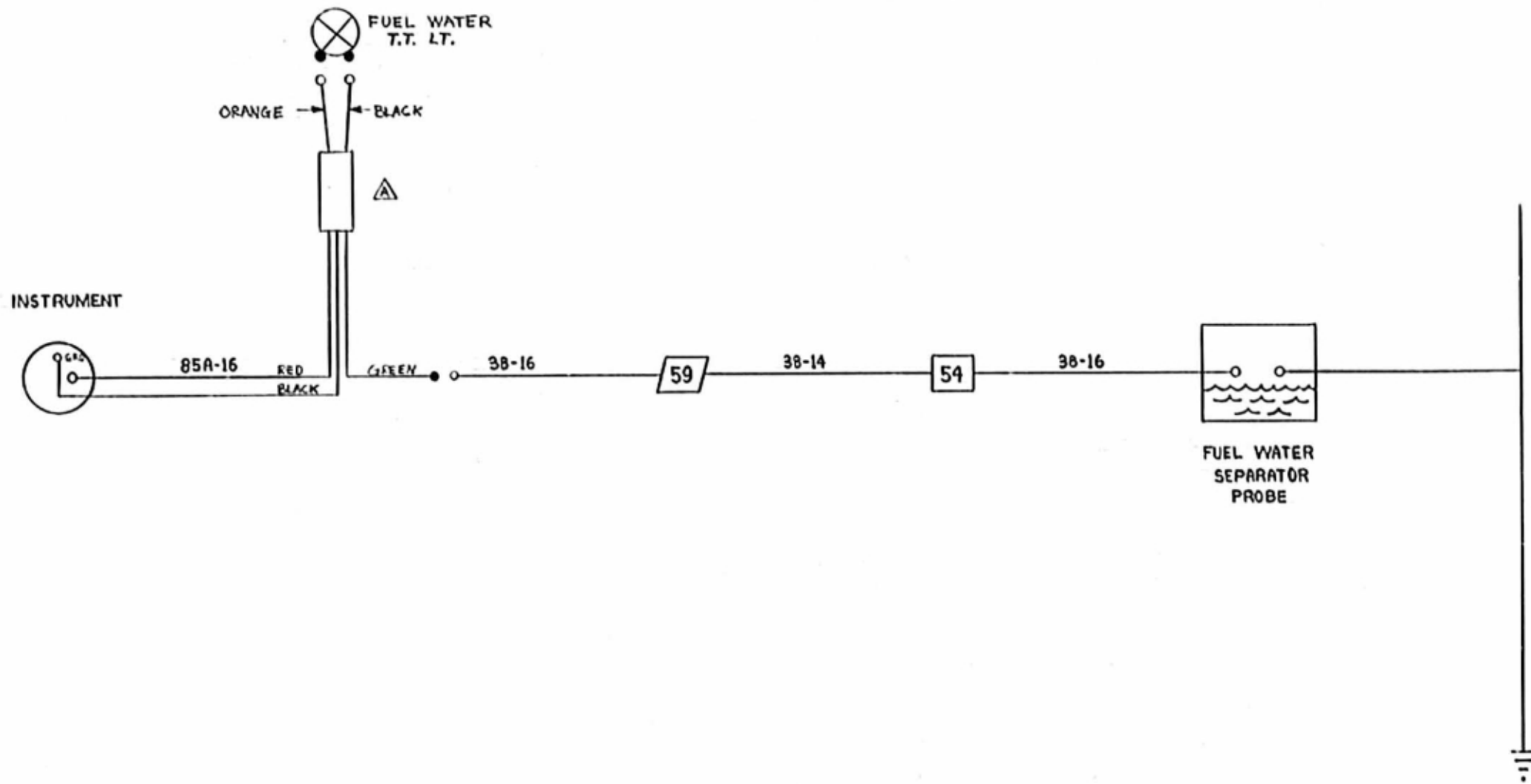
APPL: EFF. W/H-290 PRIOR TO L-706

REF: '31'

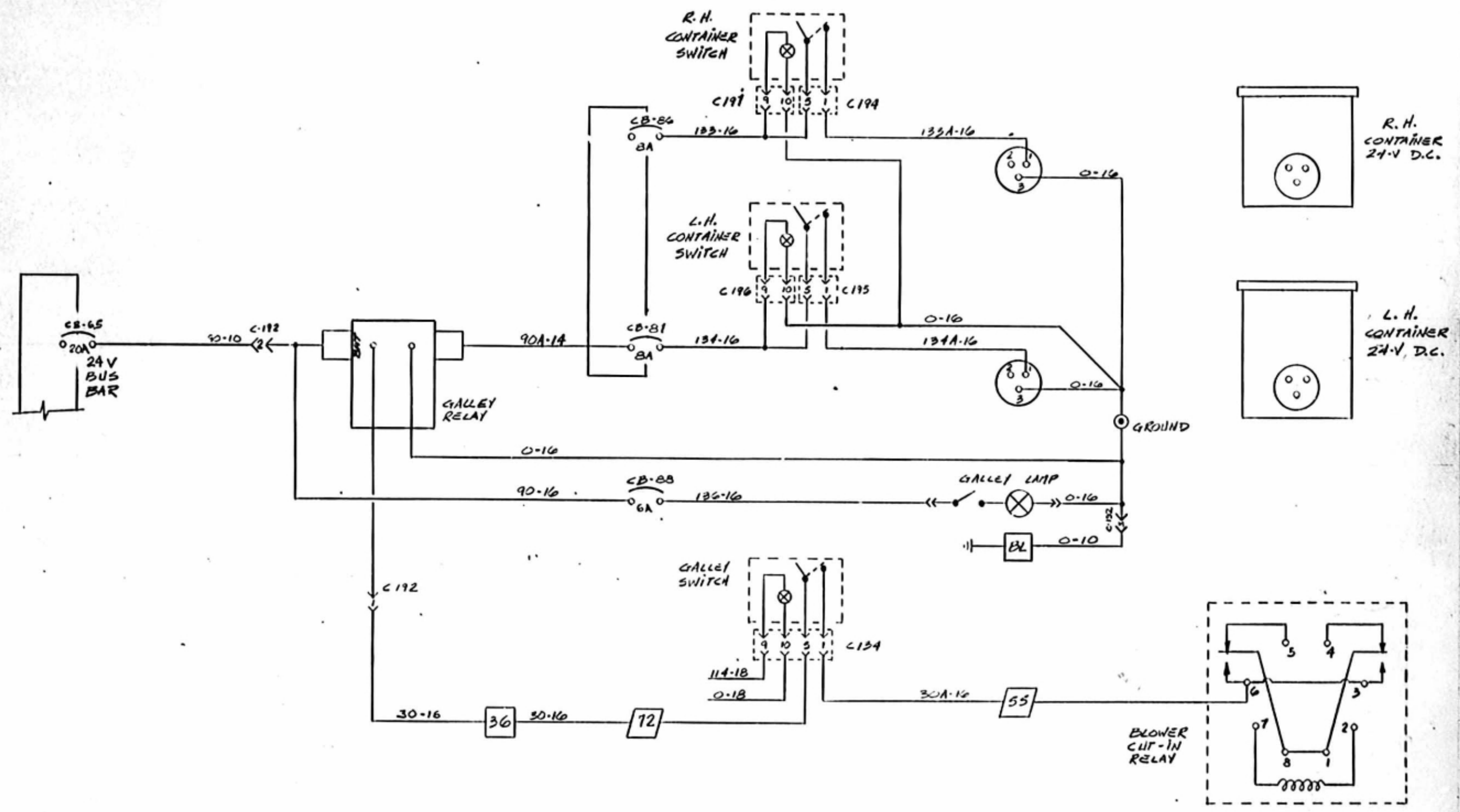
DESS: M.d.f. DATE: 87-02

VER: APPR: [Signature]

NO: D-060612 C

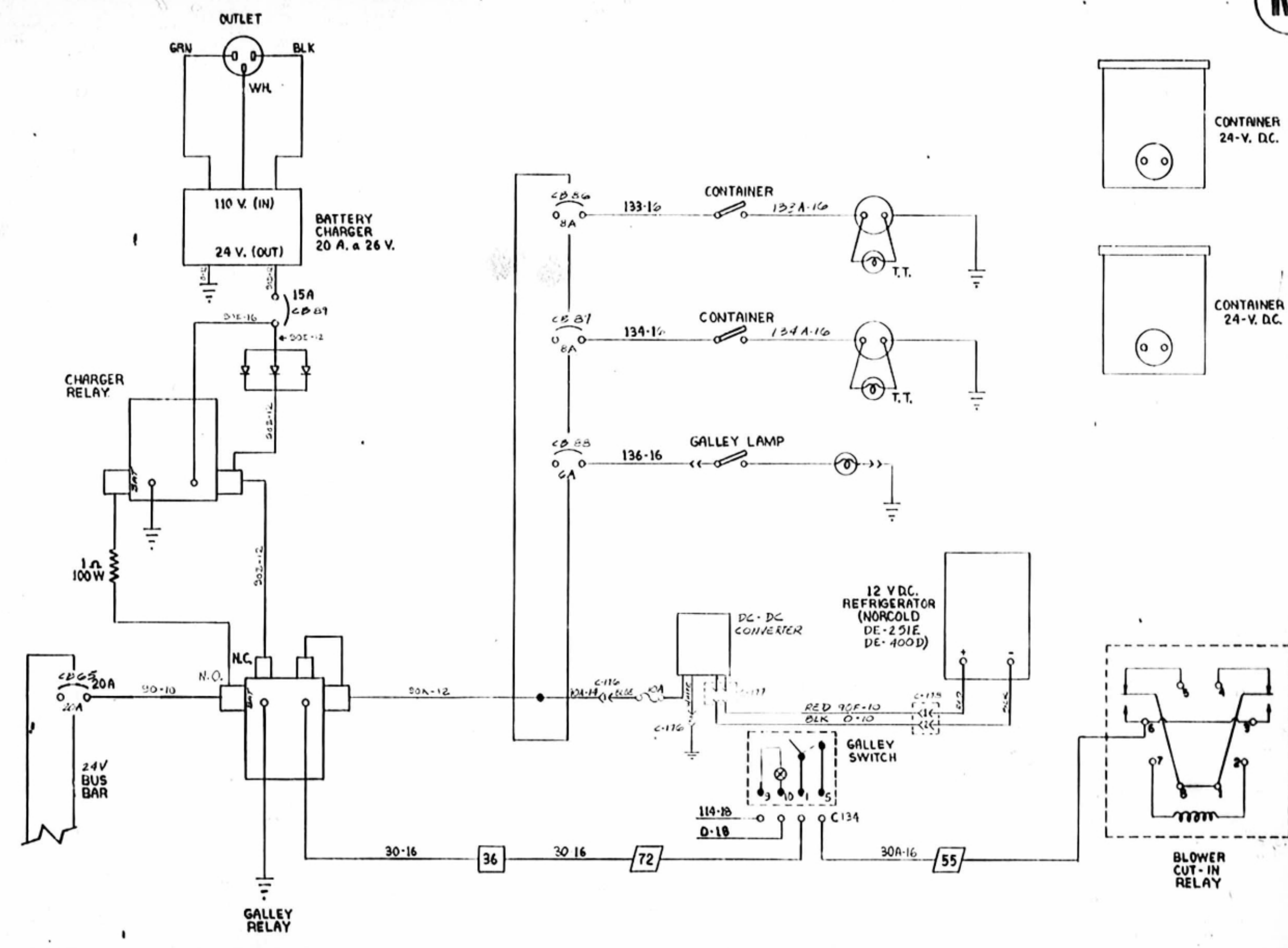


PRIVOSTA FRONT JUNCTION PANEL REAR JUNCTION PANEL BATTERY COMPARTMENT CIRCUIT BREAKER HARNESS CONNECTOR		LEGEND BATTERY JUNCTION BLOCK SINGLE CONNECTOR DIODE (RECTIFIER) OPTION		<small>REPRODUCED BY THE PROPERTY OF PRIVOSTA CAN INC. THIS DOCUMENT IS THE SOLE PROPERTY OF PRIVOSTA CAN INC. AND IS NOT TO BE REPRODUCED, COPIED, OR TRANSMITTED IN ANY FORM OR BY ANY MEANS, WITHOUT THE EXPRESS WRITTEN PERMISSION OF PRIVOSTA CAN INC.</small>		TITLE: FUEL WATER ALARM WIRING DIAGRAM		DESS: M.L. DATE: 86/06/20	
C 91-01 ENLEVER "BUS SHELL" DRAUS DT		B 90-02 PRIOR TO ASOUTE GL		A 88/04 T.T MODULE ADDED M/		APPL: EFF. W/E-652 L-706 REF: "XL"		NO: D-060491 C	
ITEM	DATE	REVISION	PAR						

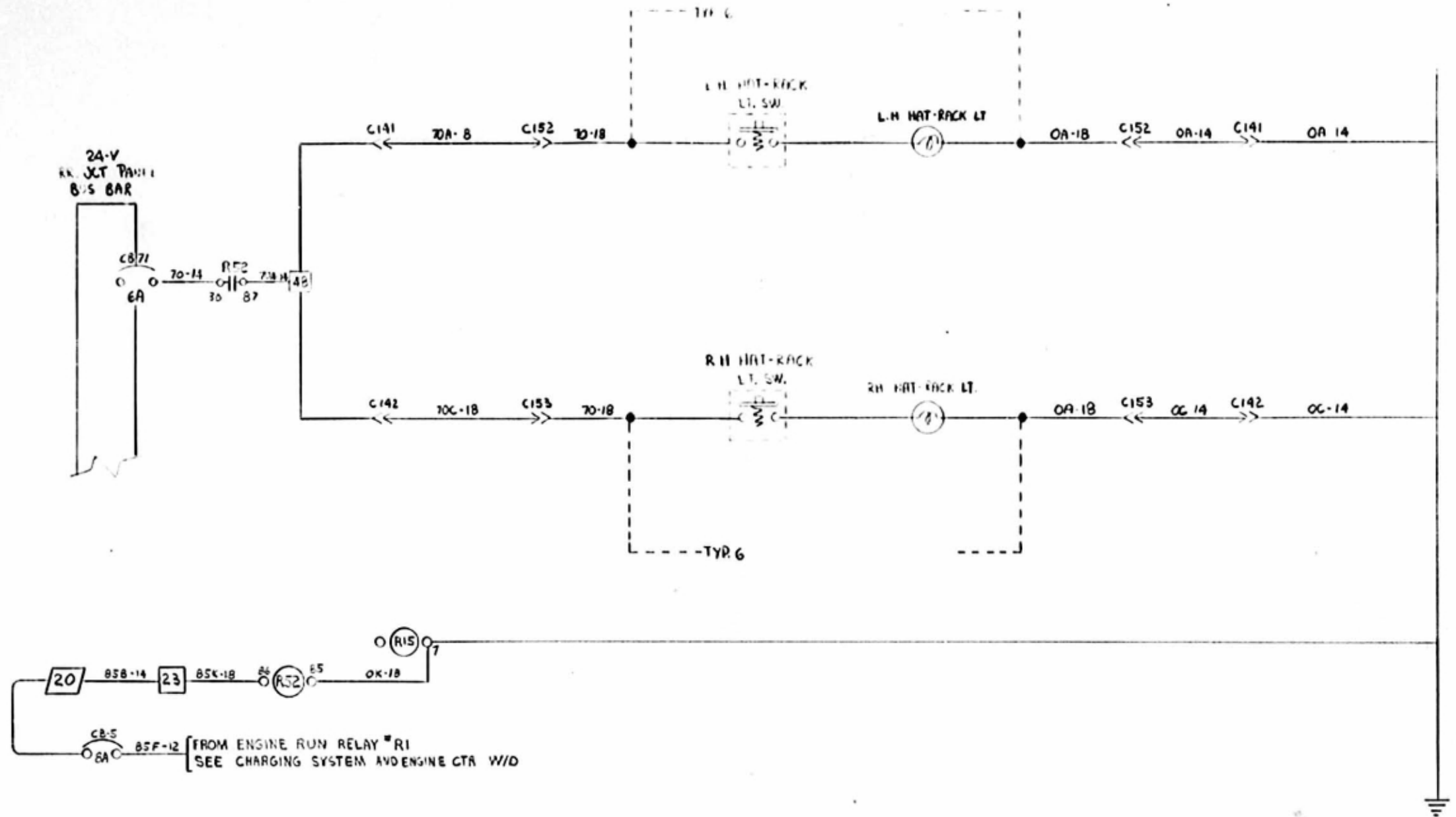


LEGEND		TITRE:		DESS:	DATE:
FRONT JUNCTION PANEL	BATTERY JUNCTION BLOCK	GALLEY WIRING DIAGRAM		AB	88-05
REAR JUNCTION PANEL	SINGLE CONNECTOR			VER. - KC	APPR. - [Signature]
BATTERY COMPARTMENT	DIODE (RECTIFIER)				
CIRCUIT BREAKER	OPTION				
WIRING CONNECTOR					
A 9008		PRIOR TO	ADJOUTÉ	G.L.	
ITEM	DATE	REVISION		PAR	
		APPL: L-706		EF: W/ J-634	REF: SERIE MINI-CHEF SANS FRIGO
				NO: D-060683	C

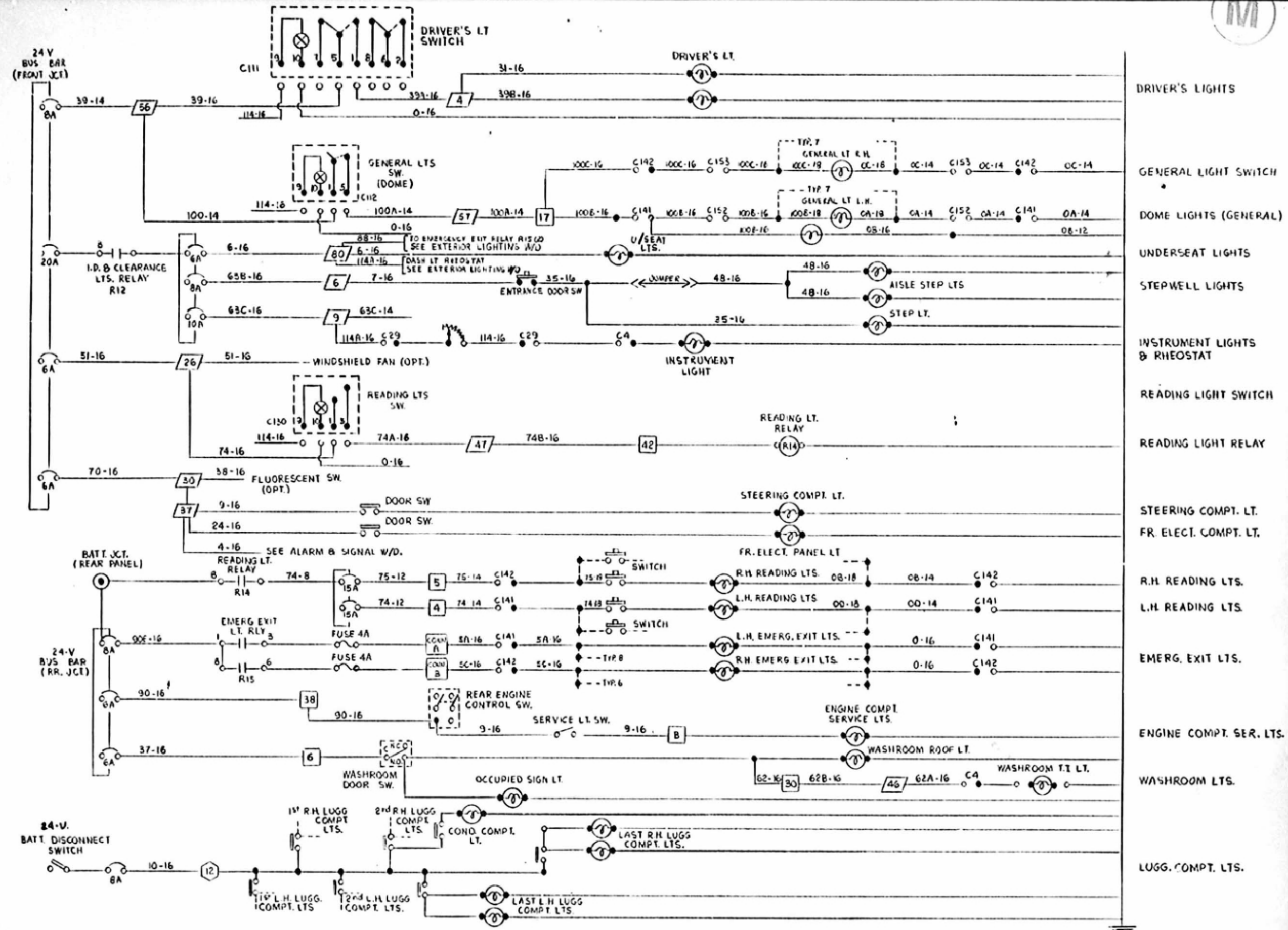
M



LEGEND		TITLE:		DESS:	DATE:
	FRONT JUNCTION PANEL	GALLEY WIRING DIAGRAM		A.B.	83-04
	REAR JUNCTION PANEL				
	BATTERY COMPARTMENT				
	CIRCUIT BREAKER				
	HARNESS CONNECTOR				
	BATTERY JUNCTION BLOCK				
	SINGLE CONNECTOR				
	SHUNT (METER)				
	OPTION				
APPL: PRIOR TO L-706	REV: 5/78	PAR: EFF.W./J-430	REF: 12-V. D.C.	NO: D-0606/11	C



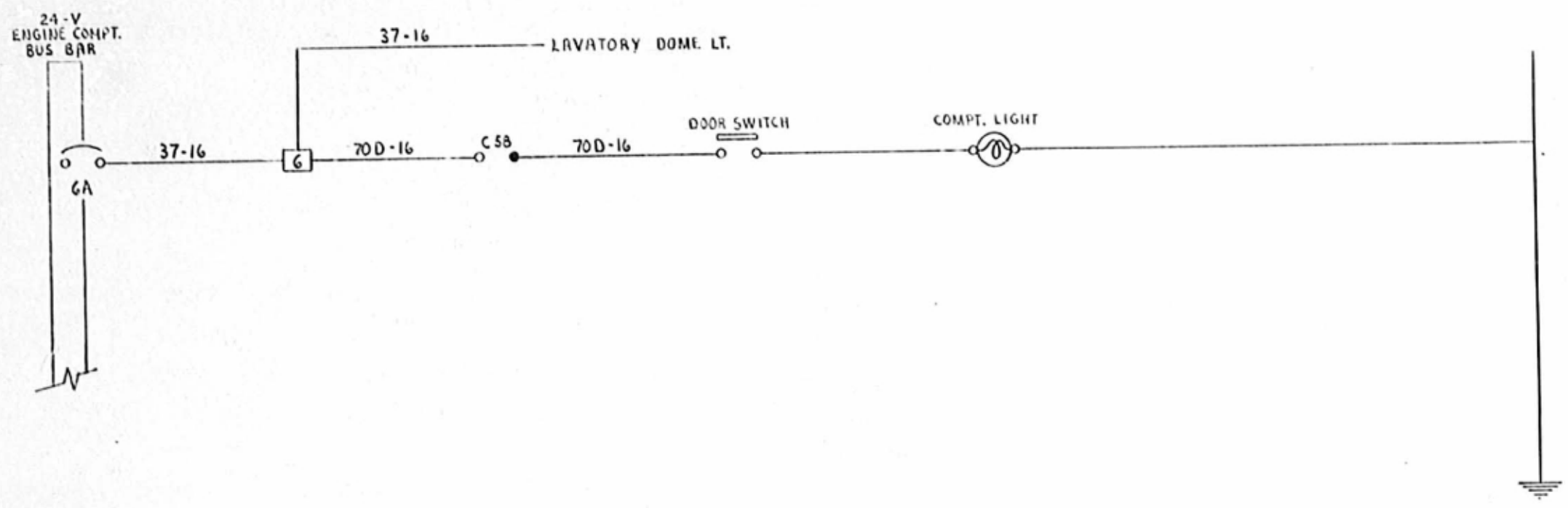
LEGEND □ FRONT JUNCTION PANEL □ REAR JUNCTION PANEL □ BATTERY COMPARTMENT □ CIRCLED BREAKER □ HARNESS CONNECTOR ○ BATTERY JUNCTION BLOCK ○ SINGLE CONNECTOR □ DIODE (RECTIFIER) --- OPTION		TITLE: HAT-RACK LIGHTING W/D	CLASS: M J.f DATE: 87-02
REV: A DATE: 88-03 REVISION: K-733 DEVIANT J726	REV: B DATE: 20-08 REVISION: PRIOR TO ROUTE	PAR: 8.C APPL: J613, J615, J617, J726 REF: "XL"	APPR: [Signature] VER: [Signature]
PART NO: D-060684		C	



DRIVER'S LIGHTS
 GENERAL LIGHT SWITCH
 DOME LIGHTS (GENERAL)
 UNDERSEAT LIGHTS
 STEPWELL LIGHTS
 AISLE STEP LTS.
 STEP LT.
 INSTRUMENT LIGHTS & RHEOSTAT
 INSTRUMENT LIGHT
 READING LIGHT SWITCH
 READING LIGHT RELAY
 STEERING COMPT. LT.
 FR. ELECT. COMPT. LT.
 FR. ELECT. PANEL LT.
 R.H. READING LTS.
 L.H. READING LTS.
 EMERG. EXIT LTS.
 ENGINE COMPT. SER. LTS.
 WASHROOM ROOF LT.
 WASHROOM T.I. LT.
 LUGG. COMPT. LTS.

LEGEND		TITRE:		DESS: Md.J	DATE: 87-02
	FRONT JUNCTION PANEL	C	20-08	PRUSR TO ABOVE	SL
	REAR JUNCTION PANEL	B	88-03	MISE A JOUR	BC
	BATTERY JUNCTION BLOCK	A	88/05	LANCE DC 88866	7/
	SINGLE CONNECTOR	ITEM	DATE	REVISION	PAR
	DIODE (RECTIFIER)	APPL: EFF. W/J-639 PRIOR TO L-706 REF: "XL"			
	CIRCUIT BREAKER	VER: Kc			
	OPTION	NO: D-060678			
	HARNESS CONNECTOR	C			

(101)

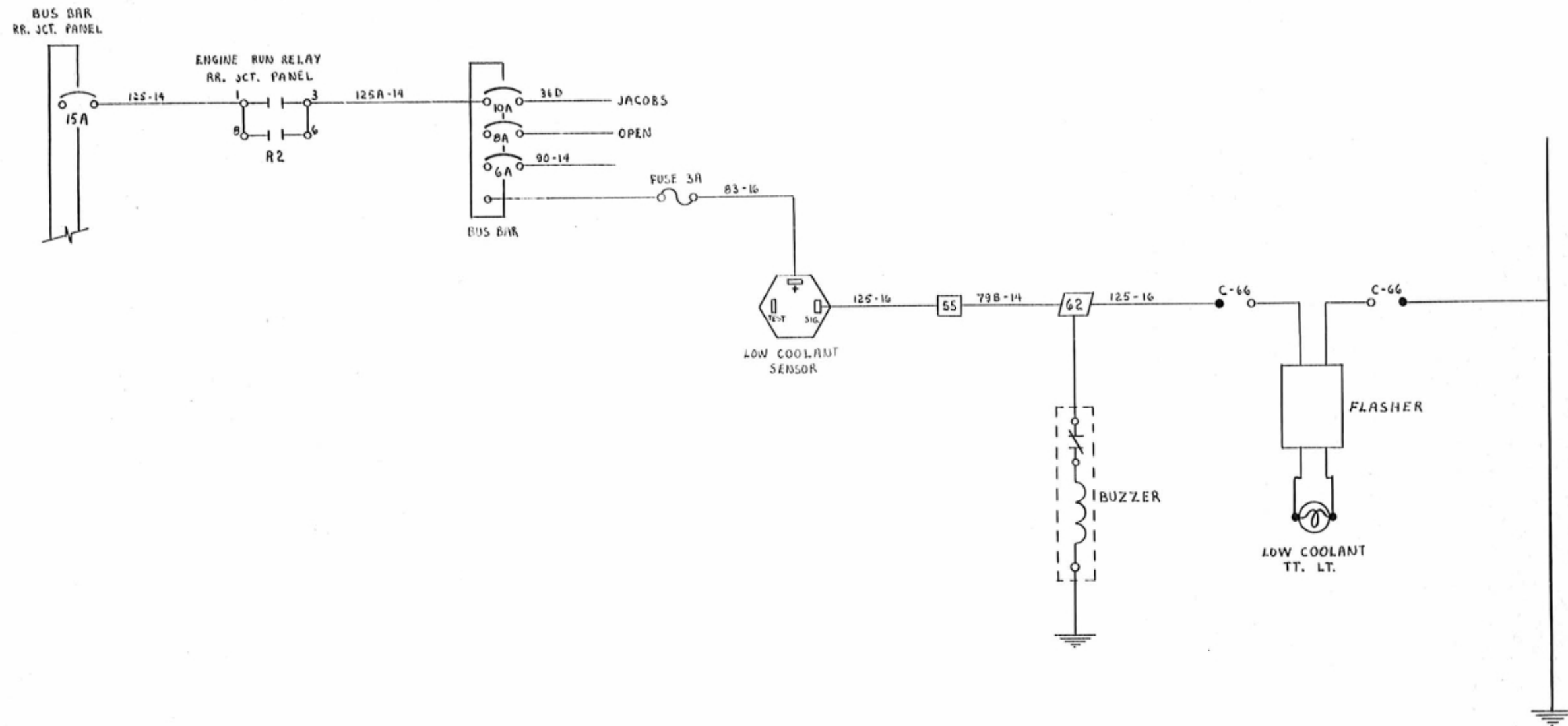


PREVOST		LEGEND	
	FRONT JUNCTION PANEL		BATTERY JUNCTION BLOCK
	REAR JUNCTION PANEL		SINGLE CONNECTOR
	BATTERY COMPARTMENT		DIODE (RECTIFIER)
	CIRCUIT BREAKER		OPTION
	HARNESS CONNECTOR		

332 (04-84)

INTERIOR REAR COMPT. LT. WIRING DIAGRAM
EFF. W./ D-639 RE: MARATHON
DATE: 04-84 PRIOR TO L-706

D-060457



PREVOST		LEGEND	
	FRONT JUNCTION PANEL		BATTERY JUNCTION BLOCK
	REAR JUNCTION PANEL		SINGLE CONNECTOR
	BATTERY COMPARTMENT		DIODE (RECTIFIER)
	CIRCUIT BREAKER		OPTION
	HARNESS CONNECTOR		

392 (04-84)

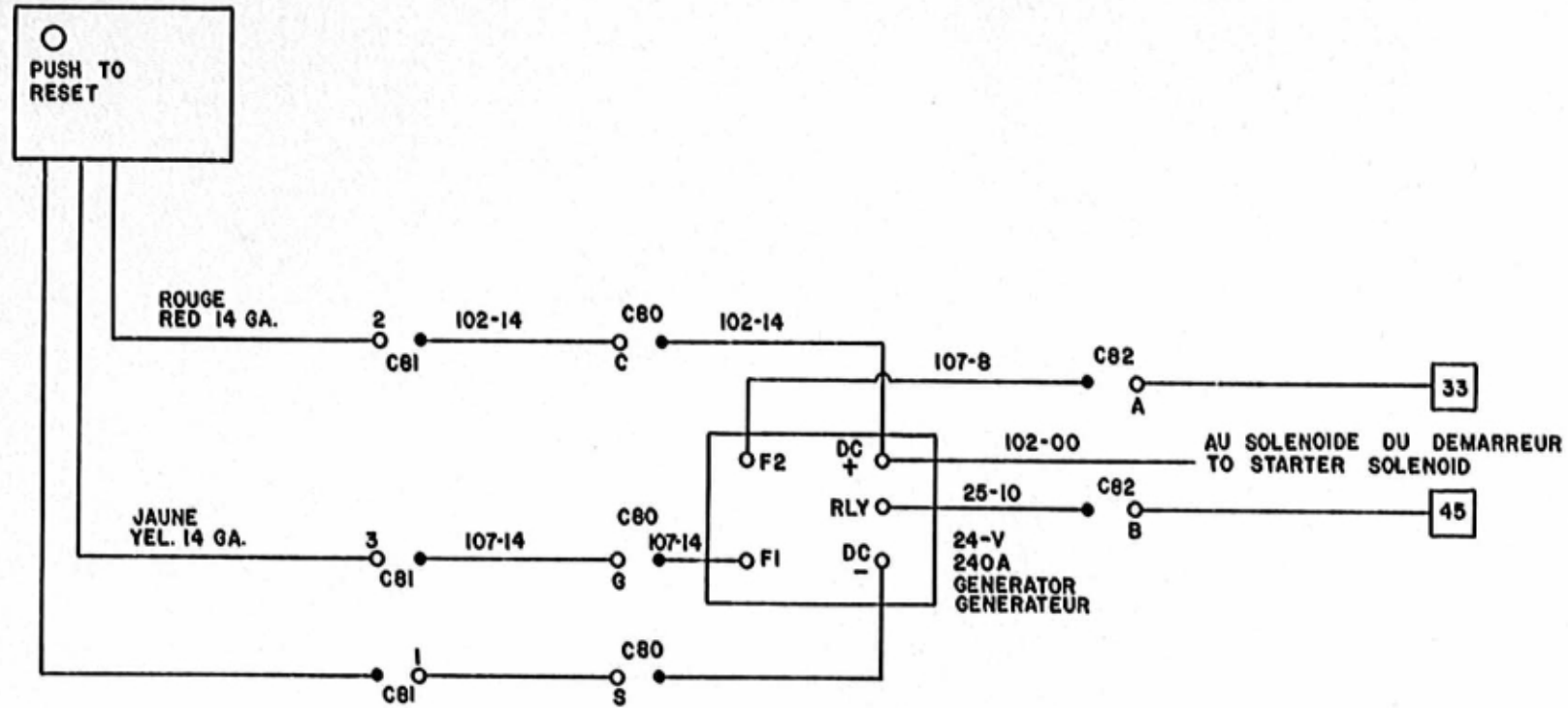
LOW WATER LEVEL WIRING DIAGRAM
 EFF. W/E-638 MODEL "XL"
 DATE : 04-84

D-060441



PROTECTEUR
DE SUR-TENSION

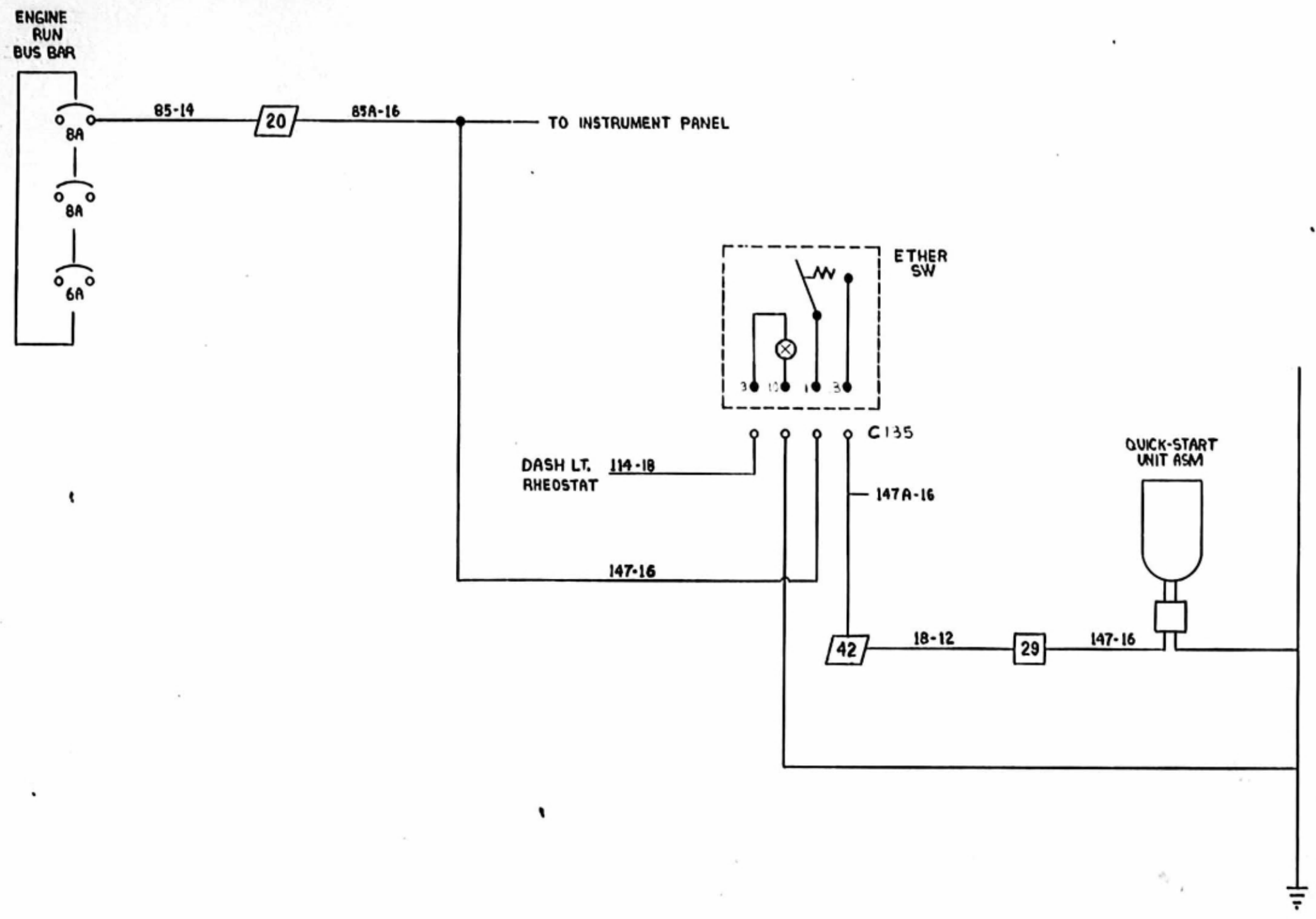
OVERVOLTAGE
PROTECTION



PREVOST		LEGEND	
	FRONT JUNCTION PANEL		BATTERY JUNCTION BLOCK
	REAR JUNCTION PANEL		SINGLE CONNECTOR
	BATTERY COMPARTMENT		DIODE (RECTIFIER)
	CIRCUIT BREAKER		OPTION
	HARNESS CONNECTOR		

3W (94-91)

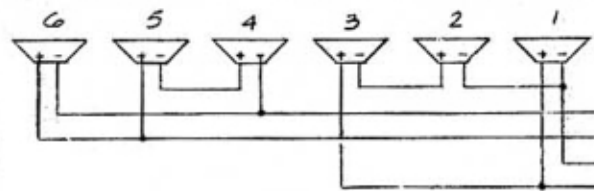
SCHEMA DE PRINCIPE POUR PROTECTEUR DE SUR-TENSION
 OVERVOLTAGE PROTECTION WIRING DIAGRAM
 EFF. W/E-730 "XL" OPTION
 PRIOR TO L-706



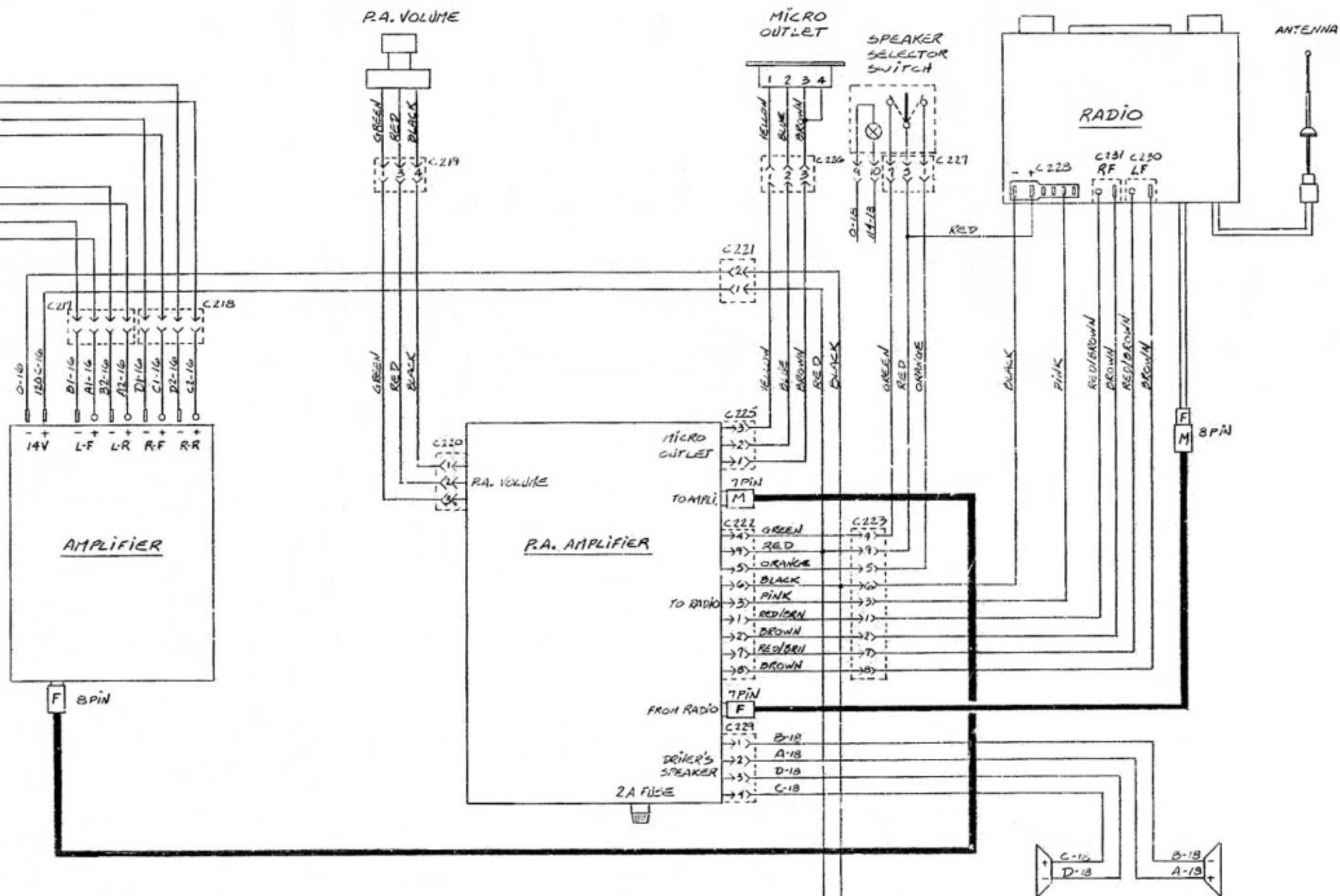
	LEGEND BATTERY JUNCTION BLOCK SINGLE CONNECTOR SHOE (RECTIFIER) OPTION		TITLE: QUICK-START (ETHER) WIRING DIAGRAM				DESS: M.L. VER. - <i>[Signature]</i>	DATE: 8/02 APPR. -
	THE APPROVED IS THE ENGINEER, PROPERTY OF GENERAL MOTORS CORPORATION, AND IS NOT TO BE REPRODUCED OR TRANSMITTED IN ANY FORM OR BY ANY MEANS, WITHOUT THE EXPRESS WRITTEN PERMISSION OF GENERAL MOTORS CORPORATION.		A 20-08 ITEM DATE	PRIOR TO ADOUTÉ REVISION	GL PAR	APPL: EFF. W/H-235 REF: SWF	NO: D-060597	C

LE MIRAGE XL

R.H. PASSENGER SPEAKER - LE MIRAGE XL

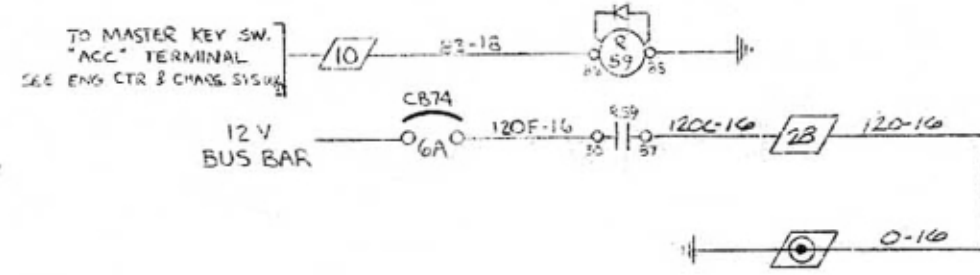
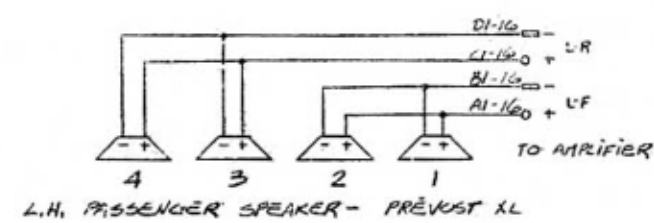
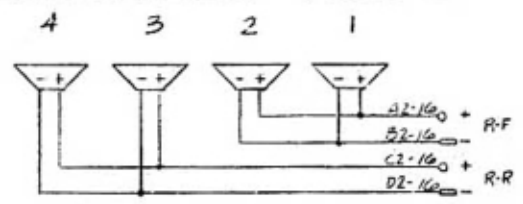


L.H. PASSENGER SPEAKER - LE MIRAGE XL



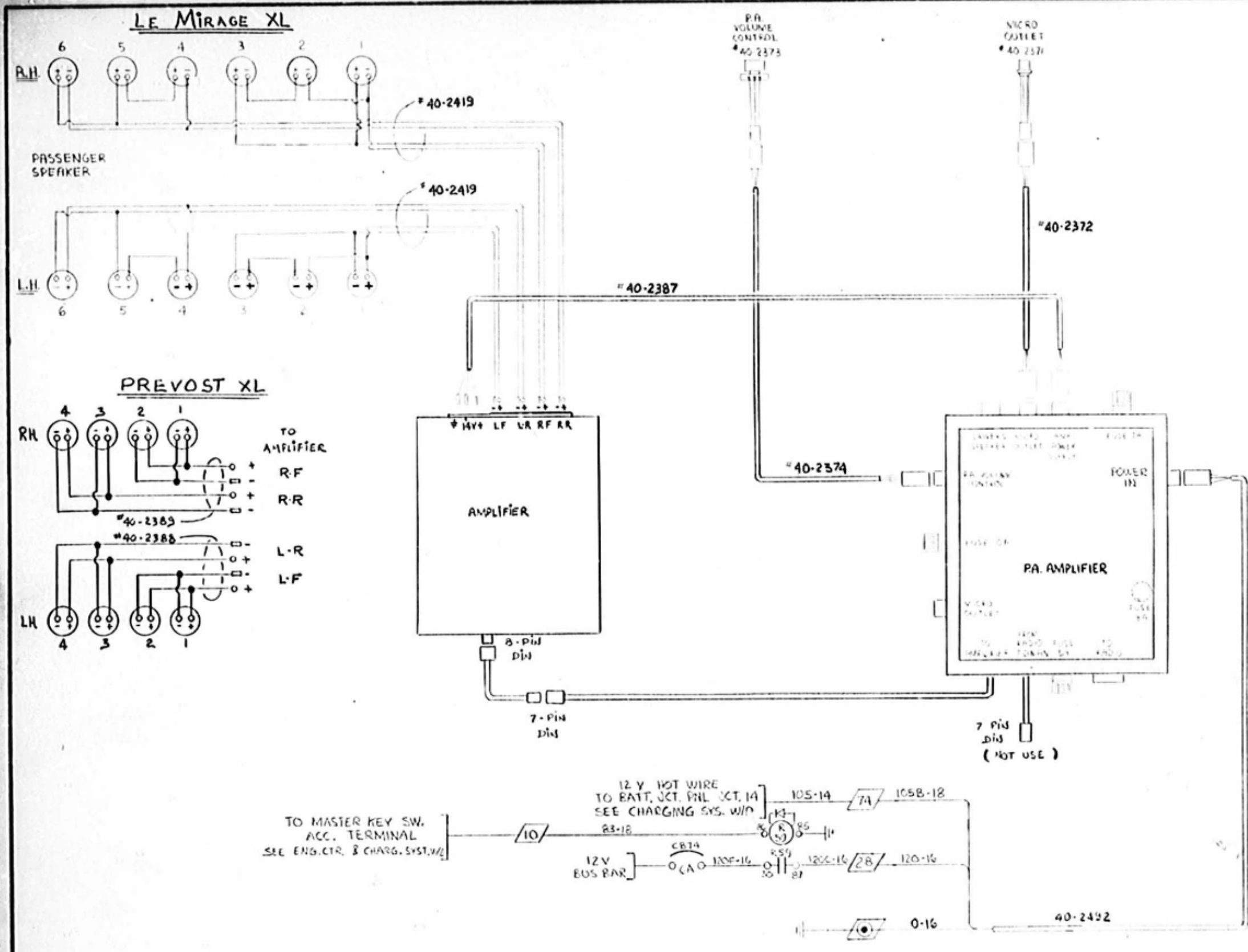
PRÉVOST XL

L.H. PASSENGER SPEAKER - PRÉVOST XL



PRÉVOST		LEGEND		TITRE: SPEAKER WIRING - BASIC SYSTEM P.A. & RADIO		DESIGN: AB		DATE: 89-09	
	FRONT JUNCTION PANEL		BATTERY JUNCTION BLOCK	APPR:		VER:		NO: D-060731	
	REAR JUNCTION PANEL		SINGLE CONNECTOR	APP: EFF.W) L-650		REF: AUTOCAR XL		C	
	BATTERY COMPARTMENT		DIODE (RECTIFIER)	APPROVED BY:		DATE:		NO:	
	CIRCUIT BREAKER		OPTION	THIS DOCUMENT IS THE EXCLUSIVE PROPERTY OF THE U.S. AIR FORCE. IT IS TO BE KEPT UNCLASSIFIED AND UNCONTROLLED UNLESS IT IS SO DESIGNATED BY THE U.S. AIR FORCE. IT IS TO BE DESTROYED WHEN IT IS NO LONGER REQUIRED FOR THE OPERATION OF THE AIR FORCE. IT IS TO BE KEPT UNCLASSIFIED AND UNCONTROLLED UNLESS IT IS SO DESIGNATED BY THE U.S. AIR FORCE.		APPROVED BY:		DATE:	
	HARNESS CONNECTOR			APPROVED BY:		DATE:		NO:	

133

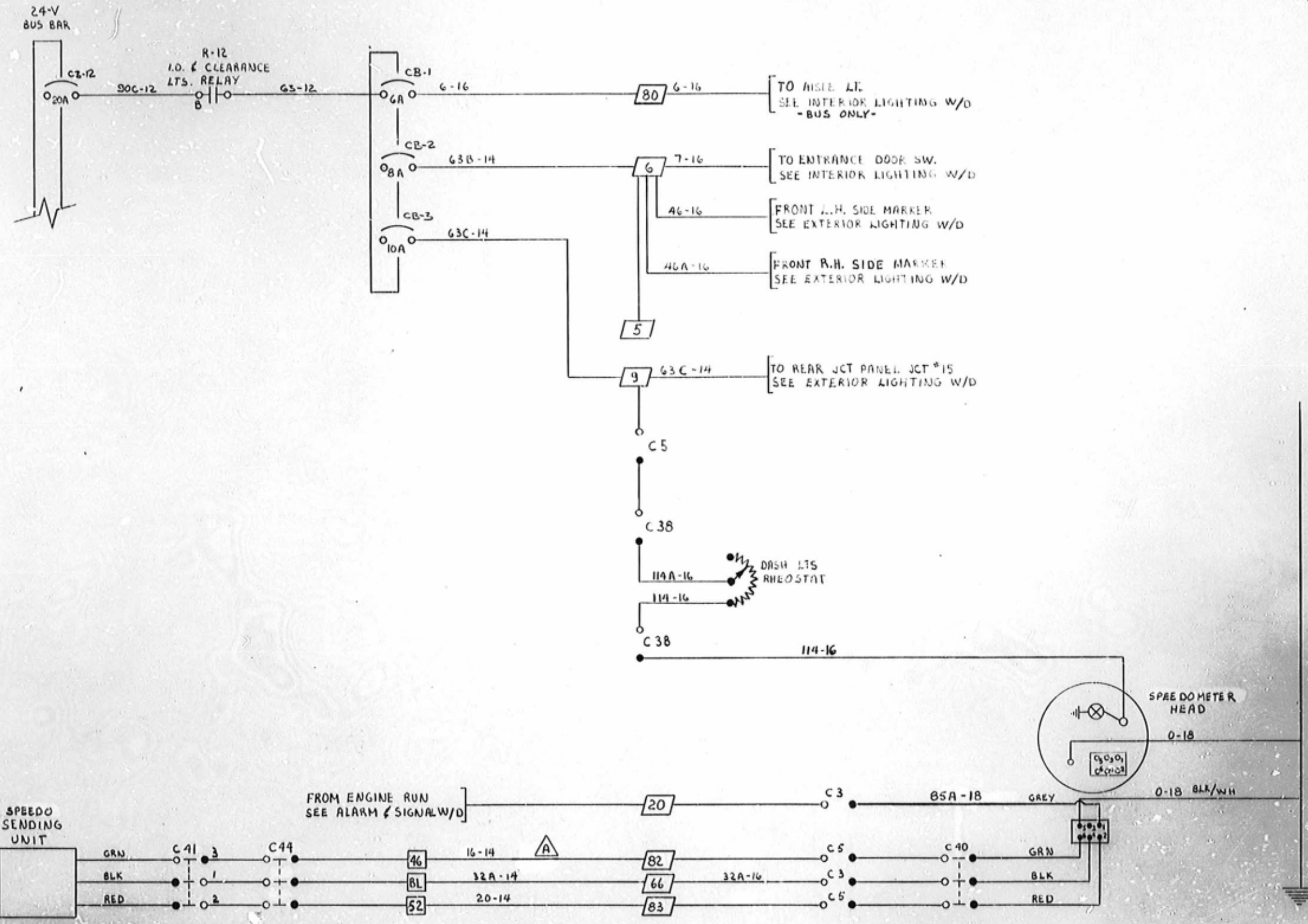


	FRONT JUNCTION PANEL		BATTERY JUNCTION BLOCK
	REAR JUNCTION PANEL		SINGLE CONNECTOR
	BATTERY COMPARTMENT		DIODE (RECTIFIER)
	CIRCUIT BREAKER		OPTION
	HARNESS CONNECTOR		

<p>THIS DOCUMENT IS THE PROPERTY OF PRATT & WHITNEY AND IS LOANED TO YOU BY THE PRATT & WHITNEY CORPORATION. IT IS TO BE USED ONLY FOR THE PURPOSES AUTHORIZED BY THE PRATT & WHITNEY CORPORATION. IT IS NOT TO BE REPRODUCED, COPIED, OR DISTRIBUTED IN ANY MANNER WITHOUT THE EXPRESS WRITTEN PERMISSION OF PRATT & WHITNEY CORPORATION.</p>	<p>23-11 R59 AMULE OC 82172</p>
<p>ITEM DATE REVISION PAR</p>	<p>APR: EFF. W/ J-587 PRIOR TO L650 REF: COACILES 102"</p>

TITLE: SPEAKER WIRING - BASIC SYSTEM P.A. ONLY	DESS: M.L.	DATE: 89/09
	VER: Kc	APPR: R
NO: D-060733		

M



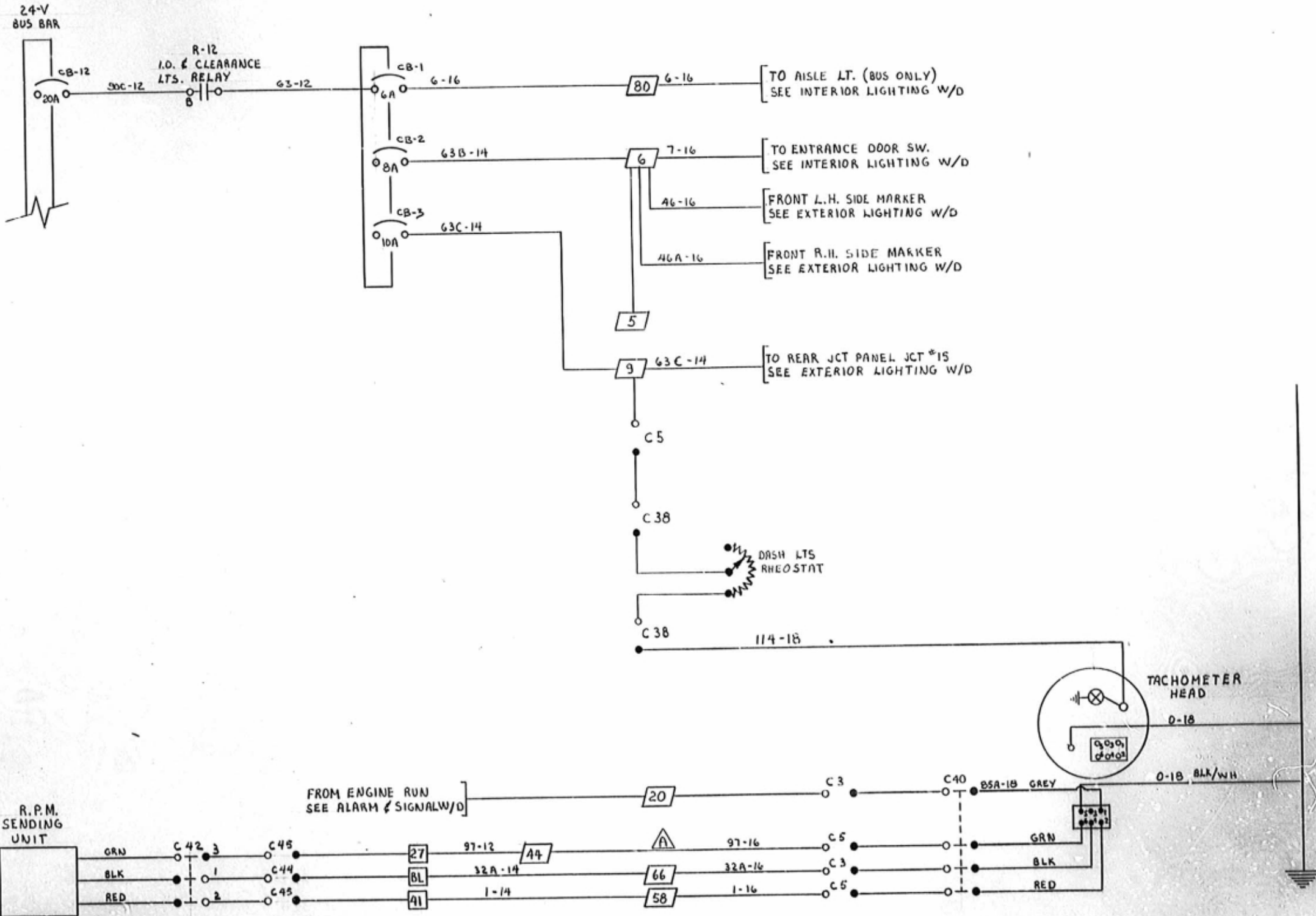
LEGEND

	FRONT JUNCTION PANEL		BATTERY JUNCTION BLOCK
	REAR JUNCTION PANEL		SINGLE CONNECTOR
	BATTERY COMPARTMENT		DIODE (RECTIFIER)
	CIRCUIT BREAKER		OPTION
	HARNESS CONNECTOR		

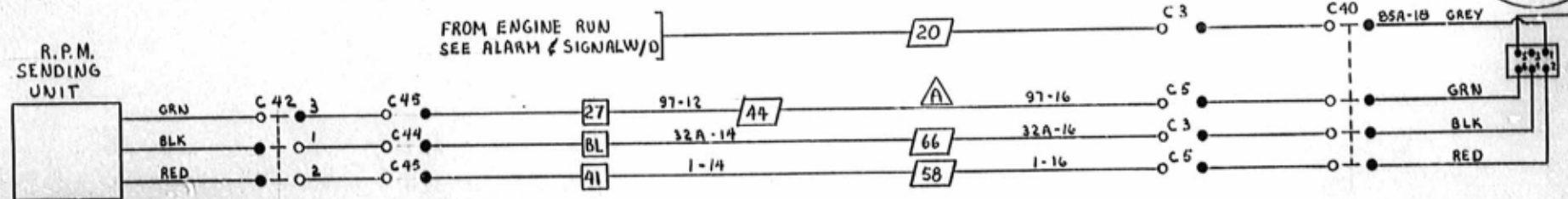
ITEM	DATE	REVISION	PAR
B	88-11	PRIO TO OC 88165	MC
A	86-09	C.D. # 8837	ML

ENGLER SPEEDOMETER WIRING DIAGRAM
 EFF. W/UNIT E-638 MODEL XL PRIOR TO:
 DATE: 86-04

D-060515



FROM ENGINE RUN
SEE ALARM & SIGNAL W/D



LEGEND

	FRONT JUNCTION PANEL		BATTERY JUNCTION BLOCK
	REAR JUNCTION PANEL		SINGLE CONNECTOR
	BATTERY COMPARTMENT		DIODE (RECTIFIER)
	CIRCUIT BREAKER		OPTION
	HARNESS CONNECTOR		

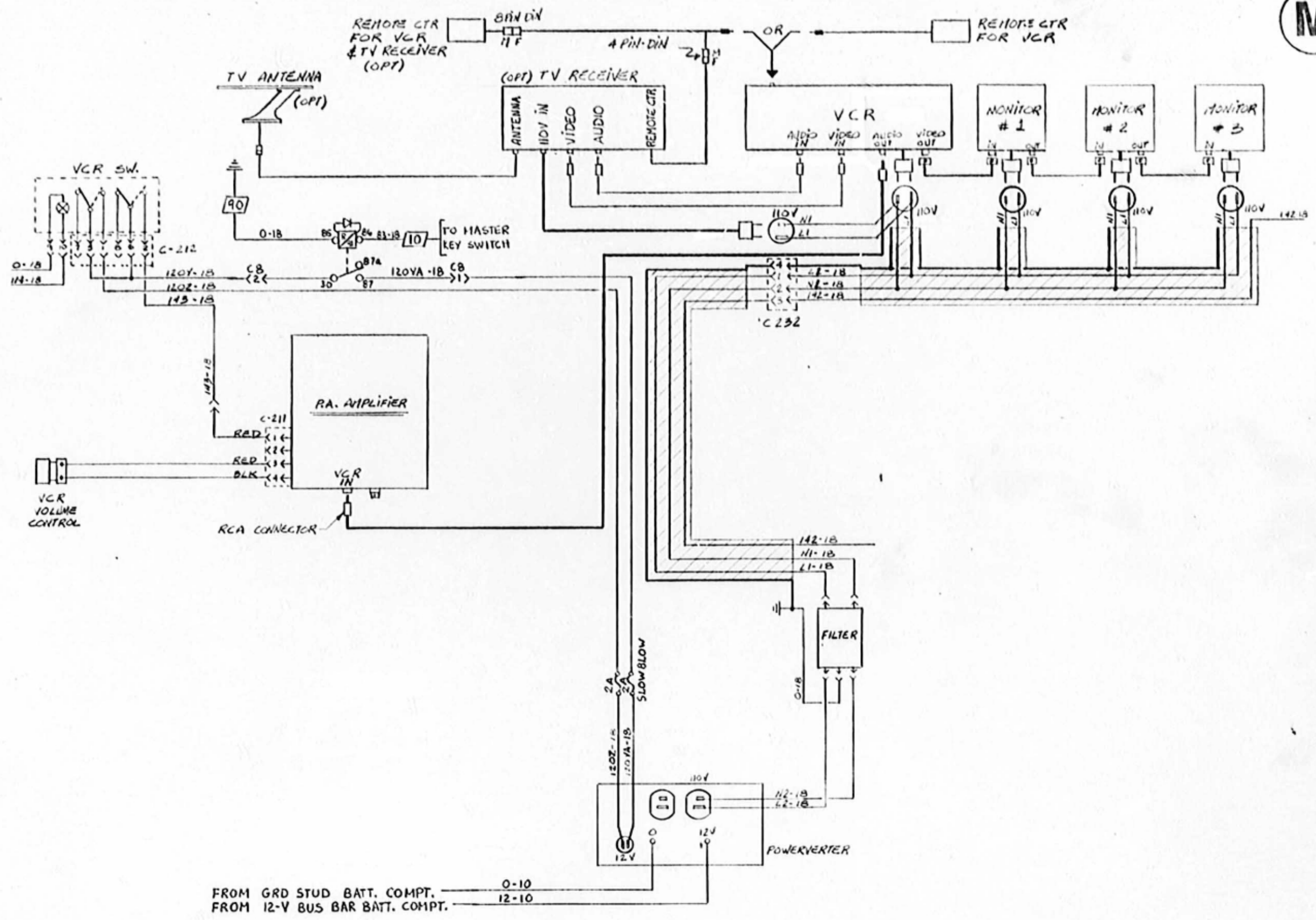
392 (04-84)

ITEM	DATE	REVISION	PAR
B	89-11	Prior TO OC 88165	
A	86-09	C.D. # 8838	M.L

ENGLER TACHOMETER WIRING DIAGRAM
 EFF. W/UNIT E-63B MODEL XL PRIOR TO:
 DATE: 86-04

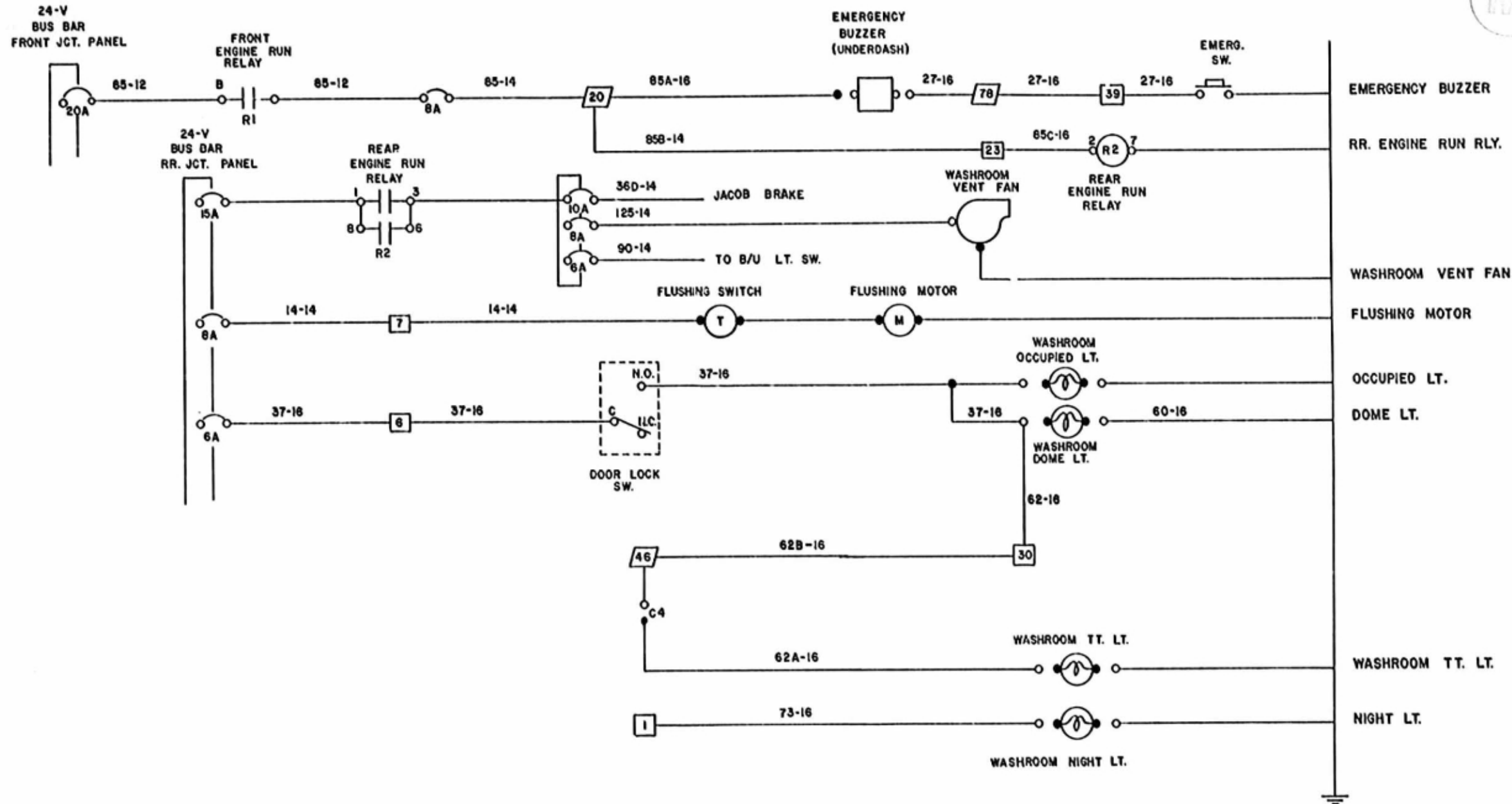
D-060516

M



FROM GRD STUD BATT. COMPT. 0-10
 FROM 12-V BUS BAR BATT. COMPT. 12-10

LEGEND FRONT JUNCTION PANEL REAR JUNCTION PANEL BATTERY COMPARTMENT CIRCUIT BREAKER HARNESS CONNECTOR		BATTERY JUNCTION PLUG SINGLE CONNECTOR DIODE (RECTIFIER) OPTION		TITLE: VIDEO SYSTEM & TV RECEIVER W/D		DESS: AB DATE 89-12	
A 92-01 DATE		HISE@JOUR O.C. #92002 REVISION		APPL: EFX W/L-650 PRIOR L-706		VER: C APR. DR.	
NO: D-060747				HEL: AUTOCAR XL		NO: D-060747	



PREVOST		LEGEND	
	FRONT JUNCTION PANEL		BATTERY JUNCTION BLOCK
	REAR JUNCTION PANEL		SINGLE CONNECTOR
	BATTERY COMPARTMENT		DIODE (RECTIFIER)
	CIRCUIT BREAKER		OPTION
	HARNESS CONNECTOR		

WASHROOM WIRING DIAGRAM
EFF W/E-638 "XL" PRIOR TO L-706