

PREVOST


WARRANTY BULLETIN

WB17-06

DATE :	March 2017	SECTION :	23 ACCESSORIES
EXPIRATION:	March 2017		
SUBJECT :	WCL PENDANT SUPPORT IMPROVEMENT		

Initial release :

APPLICATION

NOTICE TO SERVICE CENTERS <i>Verify vehicle eligibility by checking warranty bulletin status with SAP or via ONLINE WARRANTY SYSTEM available on Service / Warranty tab of Prevost website.</i>	
Model	VIN
X3-45 coaches Model Year : 2014- 2017	 <p>Vehicles with F9TF wheelchair lift and yellow “heavy duty” control pendant</p> <p>From 2PCG33494<u>EC735600</u> up to 4RKG33491<u>H9737398</u> incl.</p>
<p>This bulletin does not necessarily apply to all the above-mentioned vehicles, some vehicles may have been modified before delivery. The owners of the vehicles affected by this bulletin will be advised by a letter indicating the Vehicle Identification Number (VIN) of each vehicle concerned.</p>	

DESCRIPTION

On the vehicles affected by this bulletin, replace the existing wheelchair lift control pendant support by an improved version.

MATERIAL

Order kit WB17-06 which includes the following parts:

Part No.	Description	Qty
364388	PENDANT CONTROL SUPPORT, WCL	1
502772	SCREW CAP HEX N500 1/4-20X0.5 G5	2
500356	LOCK WASHER N500 6.1X16X0.9	2

NOTE
<i>Material can be obtained through regular channels.</i>

PROCEDURE



DANGER

Park vehicle safely, apply parking brake, stop engine. Prior to working on the vehicle, set the ignition switch to the OFF position and trip the main circuit breakers equipped with a trip button. On the Commuter type vehicles, set the battery master switch (master cut-out) to the OFF position.

INITIAL VISUAL INSPECTION:

Open the wheelchair lift access door and verify the control pendant body color.

If control pendant body is BLACK, no action required, END OF BULLETIN.

If control pendant body is YELLOW, PROCEED with bulletin.

The yellow control pendant is larger than the black model and in certain conditions is harder to hook on the existing bracket.

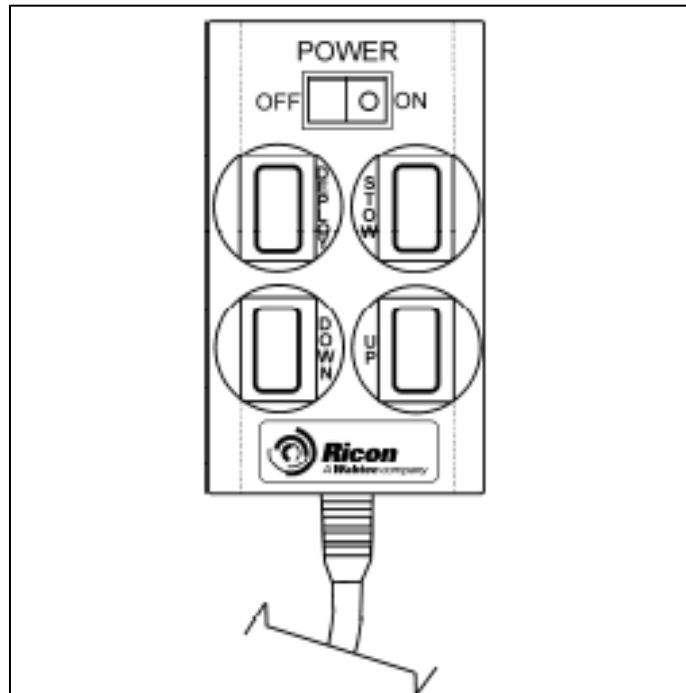


Figure 1 : Wheelchair lift control pendant

1. Stow out the platform a few inches to gain access to the pendant storage bracket.

2. Remove the small bracket assembly on the left side of the platform. (Arrow, Figure 2.)

3. Leave mounting bolts on the platform.

Tighten to: **96 lb-in**

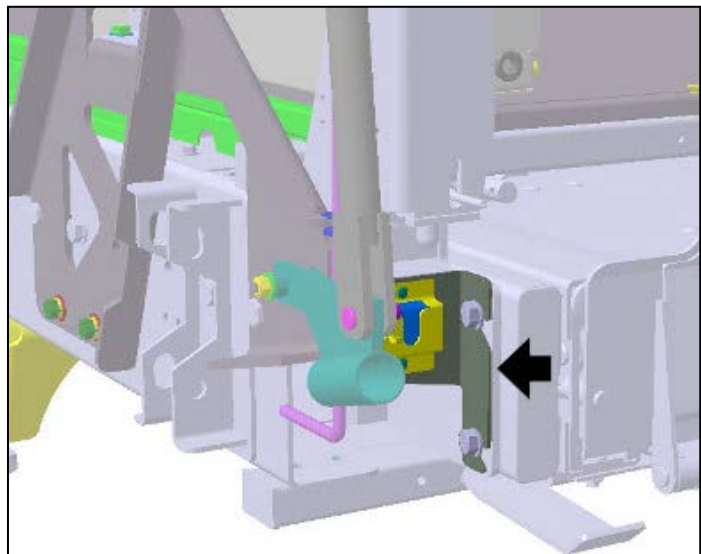


Figure 2

-
4. Install new bracket #364388 with screws 502772 and lock washers 500356.
Place mounting screws in first two left side holes under the platform.
Tighten to: **96 lb-in**

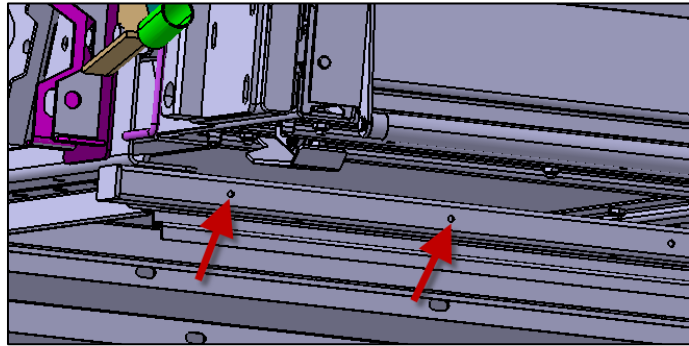


Figure 3

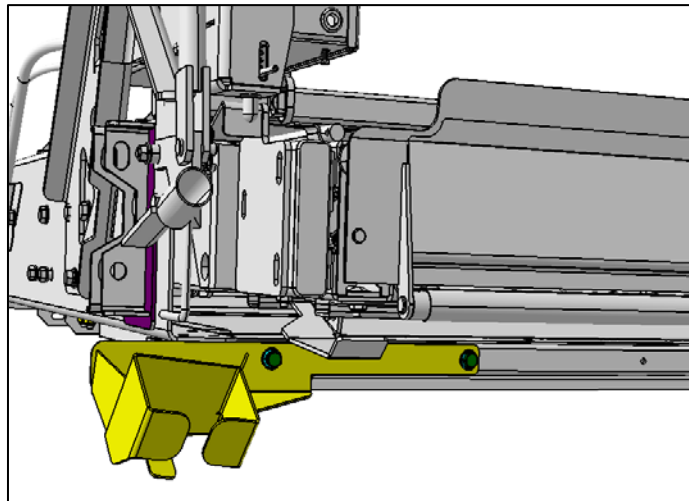


Figure 4

-
5. Place pendant in bracket, pushbuttons upside.

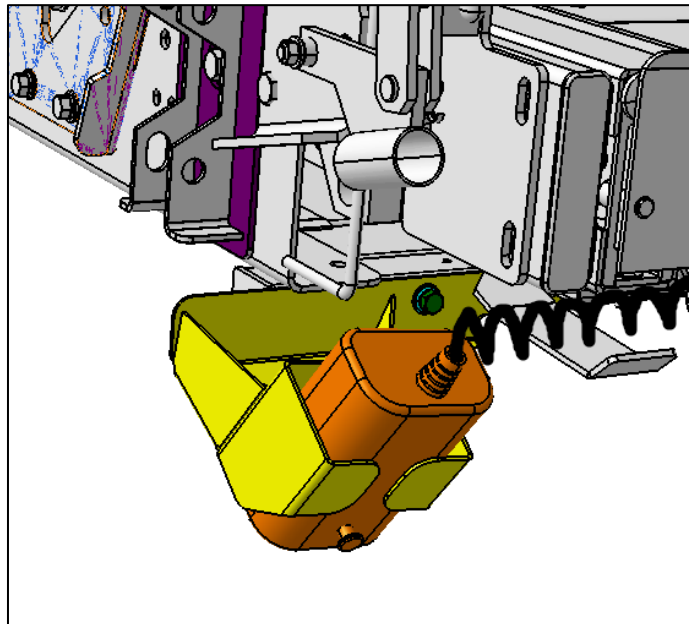


Figure 5

PARTS / WASTE DISPOSAL

DO NOT RETURN THE REPLACED PARTS. Discard waste according to applicable environmental regulations (Municipal/State[Prov.]/ Federal)

WARRANTY

This modification is covered by Prevost's normal warranty. We will reimburse you fifteen minutes (15min) of labor for *inspection only*, or the parts and thirty minutes (30 min) of labor for *performing the full bulletin* upon receipt of a warranty claim. Please submit claim via our Online Warranty System, available at www.prevostcar.com (under Service \ Warranty section). Use Claim Type: "Bulletin/Recall" and select "Warranty Bulletin WB17-06".

OTHER

VBC Bulletin	N/A
Fail Code	25.00
Defect Code	09
Syst. Cond	B
Causal Part	864809

Access all our Service Bulletins on
<http://techpub.prevostcar.com/en/>
or scan the QR-Code with your smart phone.

E-mail us at **technicalpublications_prev@volvo.com** and type
"ADD" in the subject to receive our warranty bulletins by e-mail.

