

PREVOST

Instruction Sheet

IS-16048

WCL Manual lock installation

MATERIAL

Kit #IS-16048 includes the following parts:

Part No.	Description	Qty
280473	Handle	1
280474	Handle Guide (cylinder)	1
280477	Gasket	2
507016	O-Ring,0.239ID-0.070CS	1
5001137	Washer Flat SS .203X.438X.06	1
5001544	Washer Lock Ext. SS .195X.410X.025	1
5001377	Screw Machine Pan PH SS M5-0.8X8	1
280475	Latch plate	1
5000350	Washer Belleville Type S SS A2 M20	1
5000351	Nut Hex Thin SS A2 M20X1.5 CL 035	1
280781	Support Plate	1
IS-16048	Instruction Sheet (EN)	1
FI-16048	Instruction Sheet (FR)	1

NOTE

Material can be obtained through regular channels.

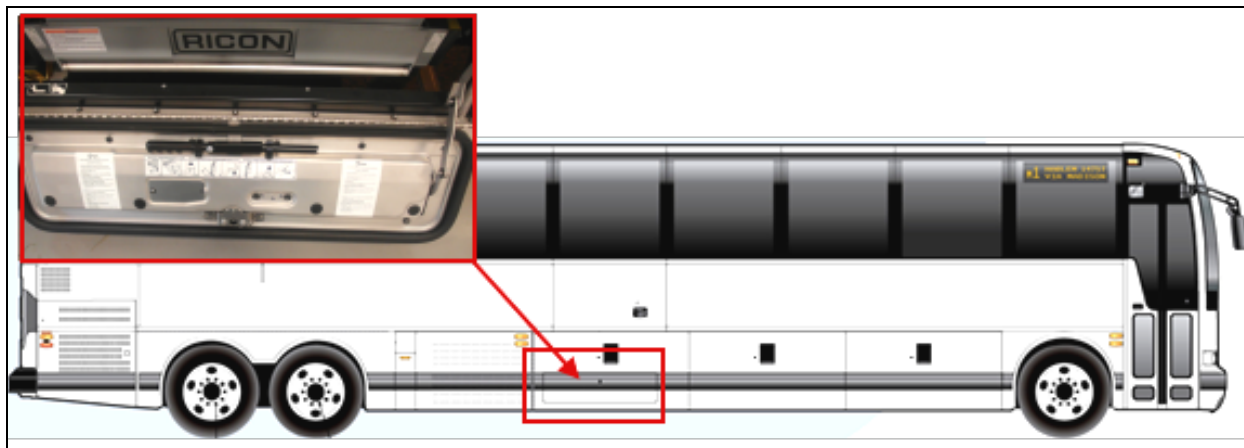
PROCEDURE



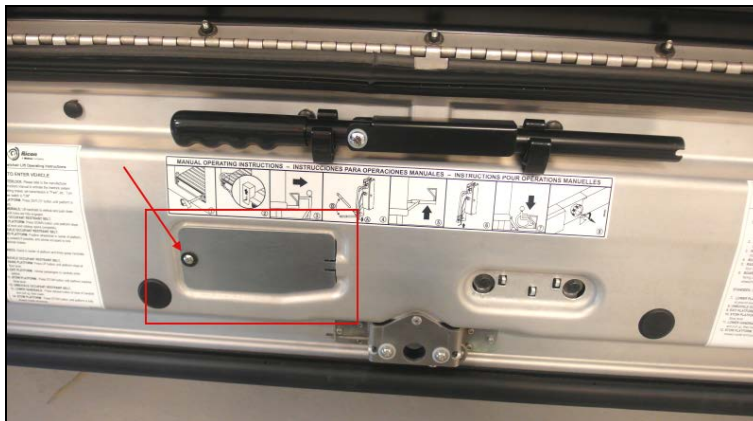
DANGER

Park vehicle safely, apply parking brake, stop engine. Prior to working on the vehicle, set the ignition switch to the OFF position and trip the main circuit breakers equipped with a trip button. *On Commuter type vehicles, set the battery master switch (master cut-out) to the OFF position.*

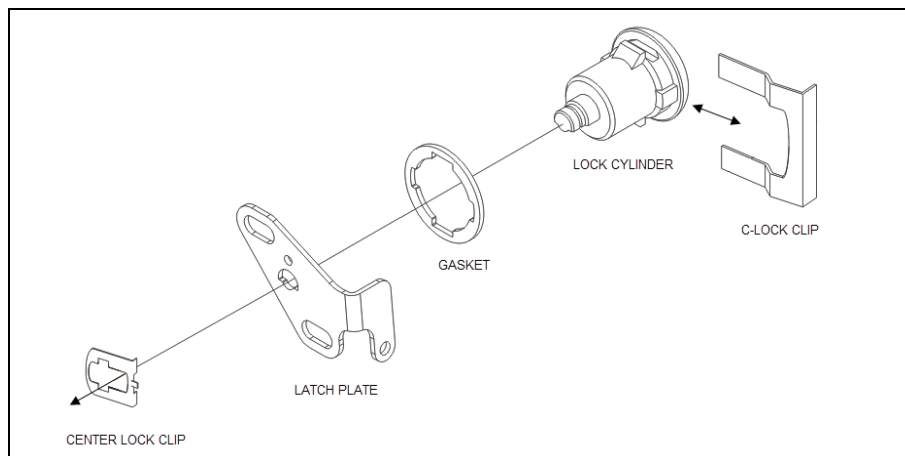
1. Open the wheelchair lift access door.



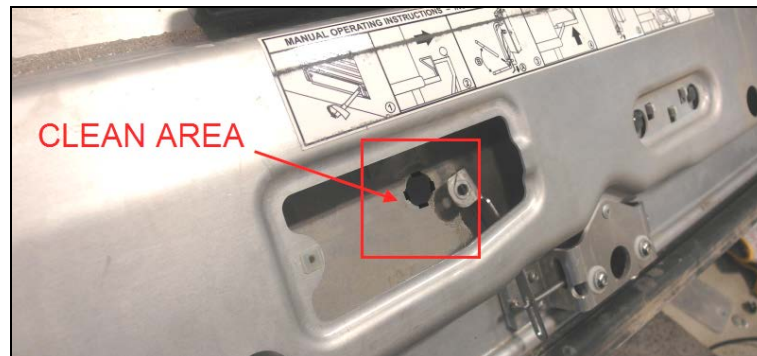
2. Remove the lock mechanism back cover (Phillips head screw and plastic washer).



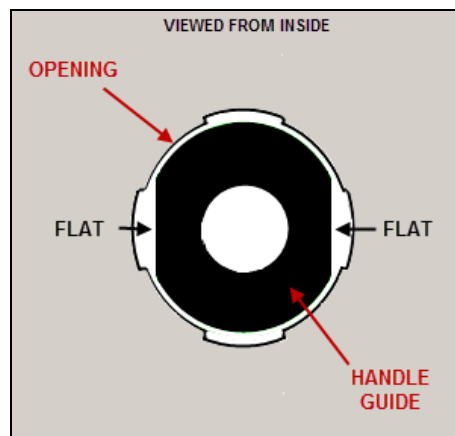
3. Remove the lock cylinder center lock clip and disengage the latch plate from the cylinder.
4. Remove (slide) the cylinder C-Lock clip and remove the cylinder assembly (and gasket) from the door. Discard assembly.



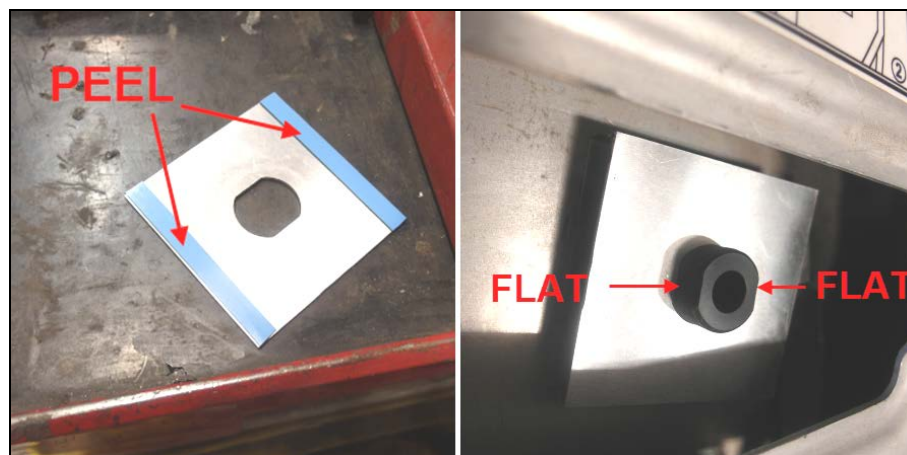
5. Remove the latch plate from the actuating rod (Allen screw & lock nut). Discard latch plate, reuse Allen screw and nut.
6. Clean the inside cylinder lock area with isopropyl alcohol or other non-residual degreaser.



7. Insert black plastic handle guide (280474) (cylinder lock replacement) into the door opening (from the outside) making sure that *the guide flat sides are installed left & right as shown*.



8. Peel the protective paper off the support plate (280781) two sided tape strips and slide the plate over the handle guide (from inside door opening). Make sure the plate and the guide flat side are installed as shown below and press slightly to ensure complete adhesion of the plate to the door.



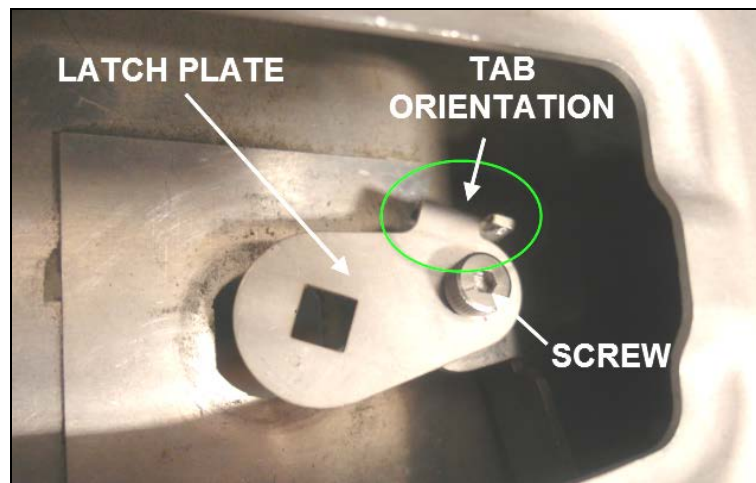


CAUTION

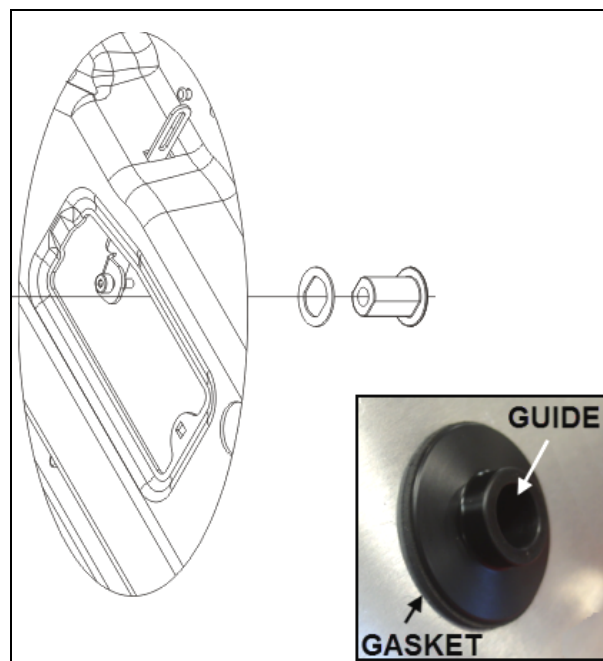
Adhesive strips are extremely sticky, if installed improperly, the support plate will be very difficult to remove without damaging the adhesive and/or distorting the support plate.

Double check the installation before applying pressure!

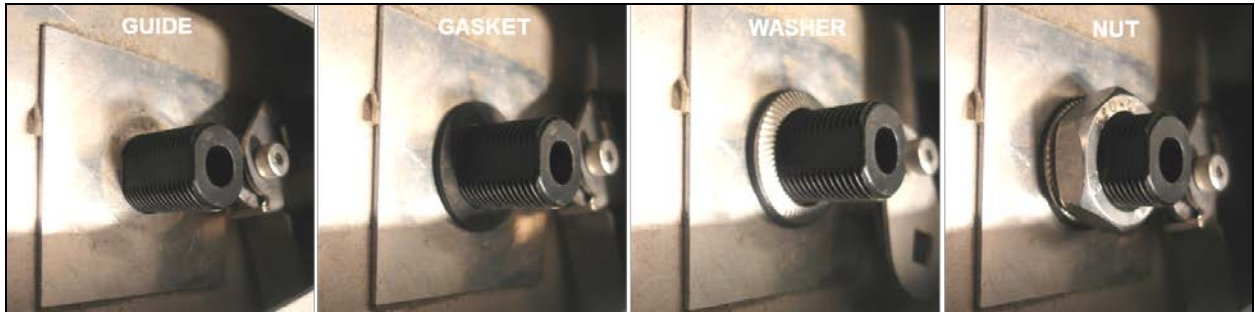
9. Remove the handle guide from the door opening.
10. Install the new latch plate (280475), secure to the actuating rod (Allen screw and nut) making sure of correct latch plate orientation (pointing down as shown).



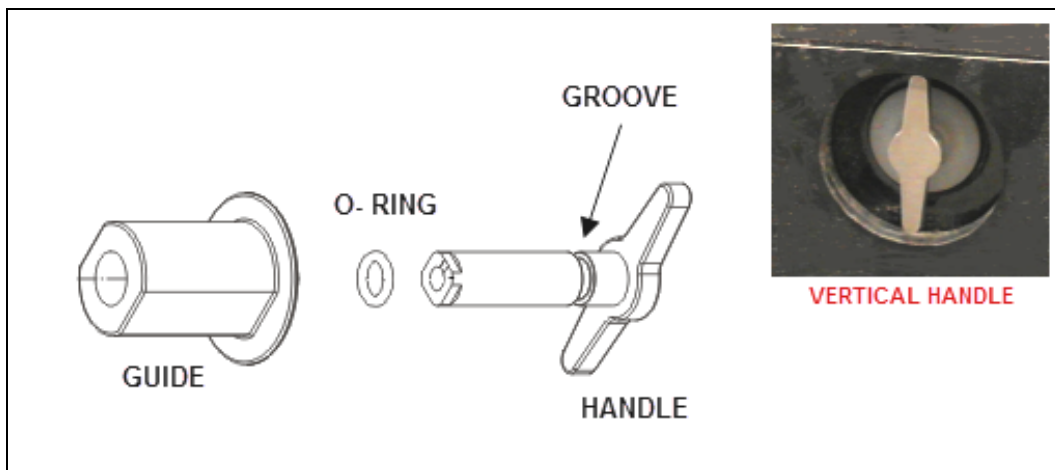
11. Slide a guide gasket (280477) over the handle guide (280474) and re-insert the guide in the door opening.



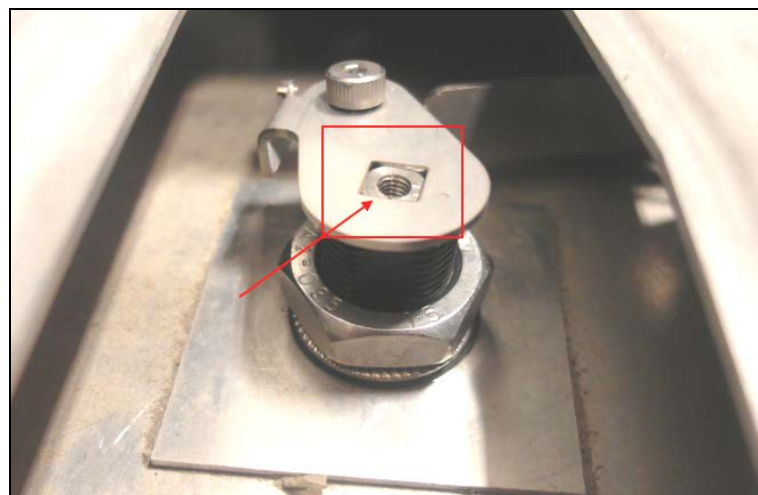
12. Install another guide gasket (280477) inside the door opening and secure the handle guide to the door using the provided flat washer (5000350) and M20 lock nut (5000351).



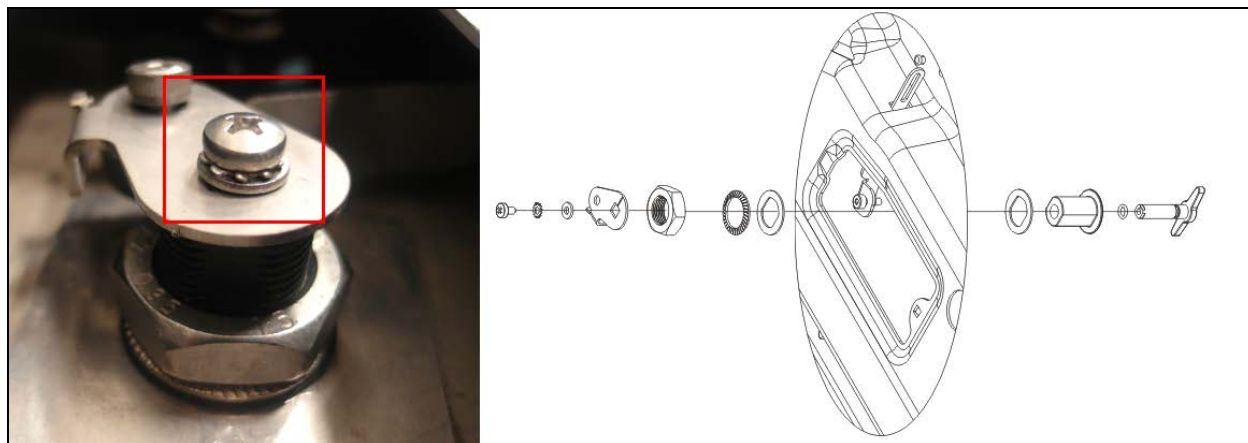
13. Install the handle O-ring (507016) (O-ring must fit in the handle body groove) and apply a slight amount of rubber compatible grease around the O-ring circumference. Insert the handle (280473) in the handle guide making sure the handle is installed vertically.



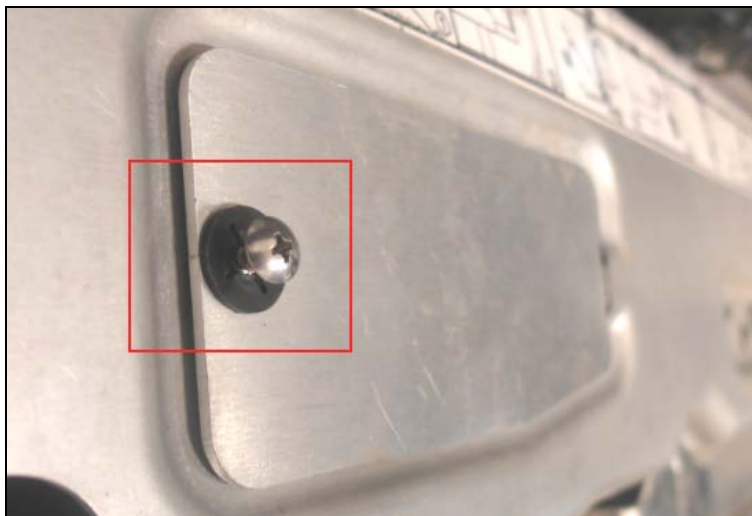
14. Position the latch plate square opening over the handle tip (make sure again that the handle is vertical).



15. Secure the latch plate to the handle using the supplied screw, lock and washer (5001377, 5001137 & 5001544).



16. Reinstall the lock mechanism back cover (Phillips screw and plastic washer).



17. Check for proper function of the new manual door lock

- To open door, turn the handle 90deg (clockwise) and pull the door using the door center handle.
- Push firmly toward the vehicle to close the door (no lock handle rotation required).

PARTS / WASTE DISPOSAL

Discard waste according to applicable environmental regulations (Municipal/State[Prov.]/ Federal)