

PREVOST

WARRANTY BULLETIN

WB18-08

DATE :	March 2018	SECTION :	18 BODY
EXPIRATION:	March 2020		
SUBJECT :	ENGINE BELT GUARD INSTALLATION		

APPLICATION

<i>NOTICE TO SERVICE CENTERS</i>	
Model	VIN
<p style="font-size: small;">Verify vehicle eligibility by checking warranty bulletin status with SAP or via ONLINE WARRANTY SYSTEM available on Service / Warranty tab of Prevost website.</p>	
X3-45 coaches Model Year : 2018	From 2PCG33491 <u>JC736245</u> up to 2PCG33494 <u>JC736269</u> incl.
X3-45 coaches Model Year : 2018	From 4RKG33494 <u>J9737448</u> up to 4RKG33495 <u>J9737474</u> incl.
<p style="font-size: x-small;">This bulletin does not necessarily apply to all the above-mentioned vehicles, some vehicles may have been modified before delivery. The owners of the vehicles affected by this bulletin will be advised by a letter indicating the Vehicle Identification Number (VIN) of each vehicle concerned.</p>	

DESCRIPTION

On the vehicles affected by this bulletin use the following procedure to install the engine belt guard.

MATERIAL

Order kit #WB18-08 that contains the following part:

Part No.	Description	Qty
200778P	ENGINE BELT GUARD SUB-ASSEMBLY	1

<i>NOTE</i>
<i>Material can be obtained through regular channels.</i>

PROCEDURE



DANGER

Park vehicle safely, apply parking brake, stop engine. Prior to working on the vehicle, set the ignition switch to the OFF position and trip the main circuit breakers equipped with a trip button.

ENGINE BELT GUARD INTALLATION

1. Press rear engine stop button to prevent engine from starting (Figure 1).

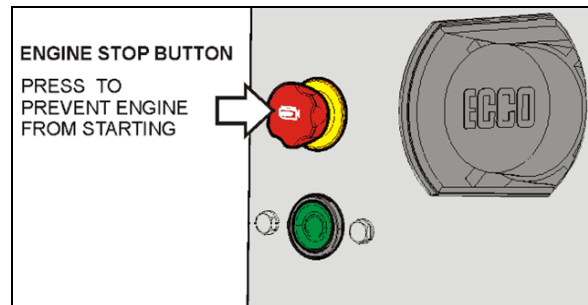


Figure 1

2. Lock the position of the bumper bracket with the locking pin as shown on picture Figure 2.
3. Repeat step 2 on both sides.

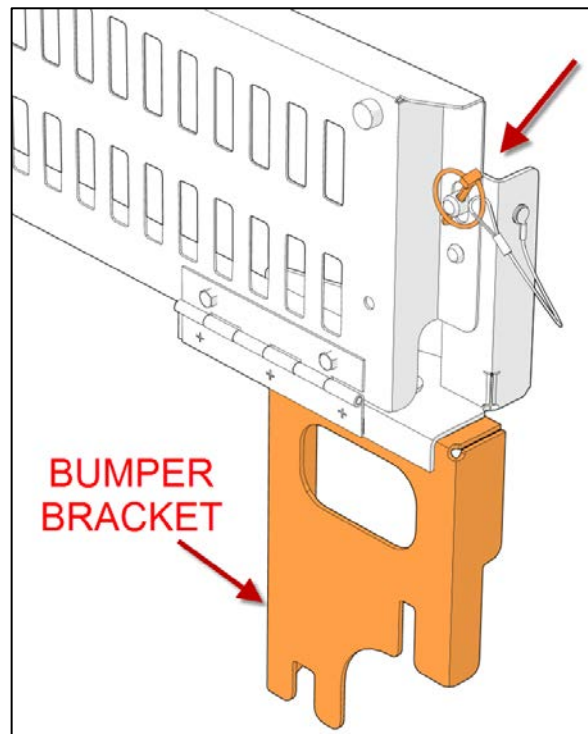


Figure 2

4. Loosen the screws supporting the hinge to the guard yellow grill. Do not remove the screws. Repeat this operation on both sides.

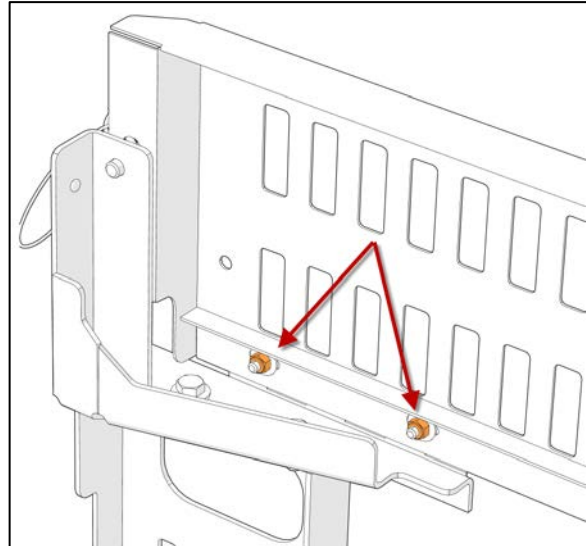


Figure 3

NOTE

The engine belt guard sub-assembly is supported with the existing bumper screws and nuts.

5. Locate the rear bumper mounting nuts on right side and on left side (Figure 4).

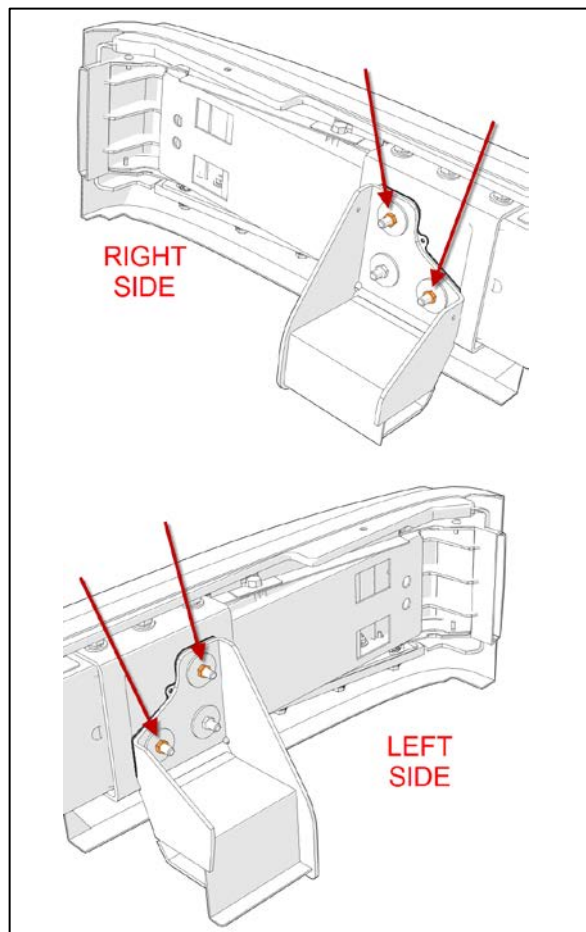


Figure 4



CAUTION

Be very careful to not break the bumper welded screws when loosen the nuts. Use a wrench with socket and apply lubricant. If necessary, heat the nuts using an oxy/acetylene torch kit. Breaking a screw is not an option.



Figure 5

6. On the right side, loosen the bumper nuts (two) as shown on Figure 6. Do not remove the nuts completely.

IMPORTANT NOTE

Do not loosen the third nut to insure keeping the bumper in place.

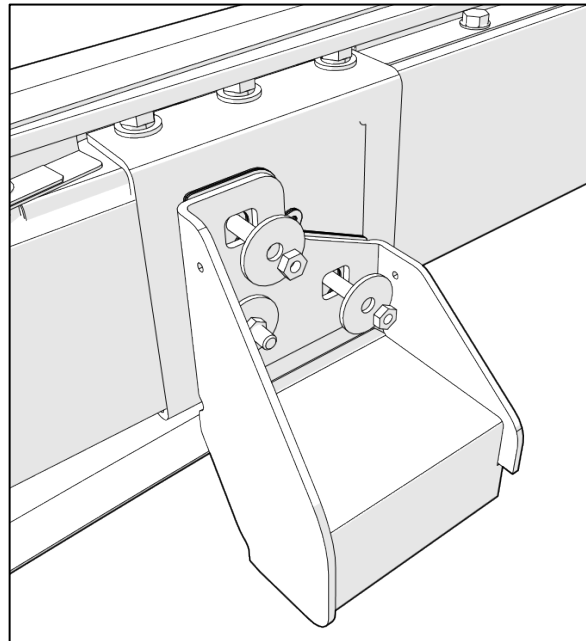


Figure 6

7. On the left side, loosen the bumper nuts (two) as shown on Figure 6. Do not remove the nuts completely.

IMPORTANT NOTE

Do not loosen the third nut to insure keeping the bumper in place.

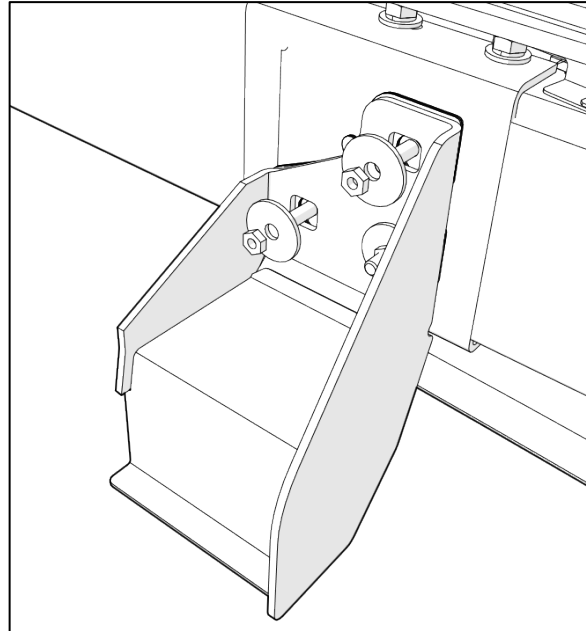


Figure 7

8. Slide down both brackets behind the bumper nuts and flat washers (Figure 8).

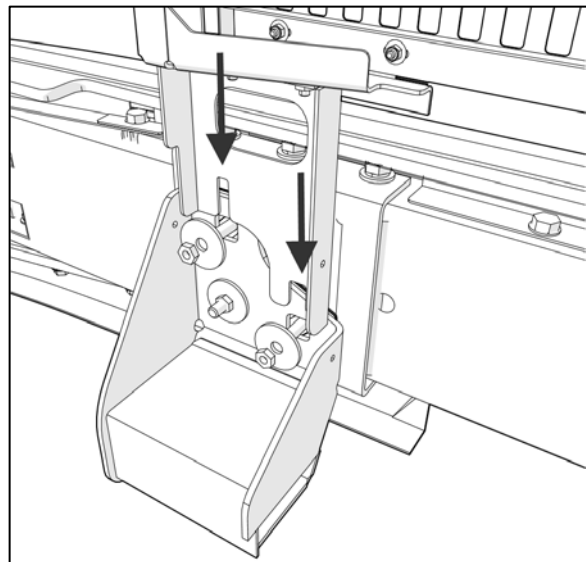


Figure 8

9. Tighten all bumper nuts (4) (Figure 9).

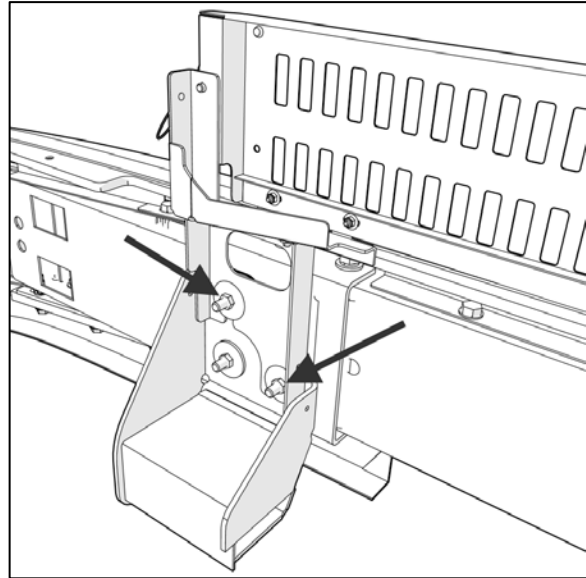


Figure 9

10. Tighten all screws supporting the guard yellow grill to the hinge. Repeat on both sides.

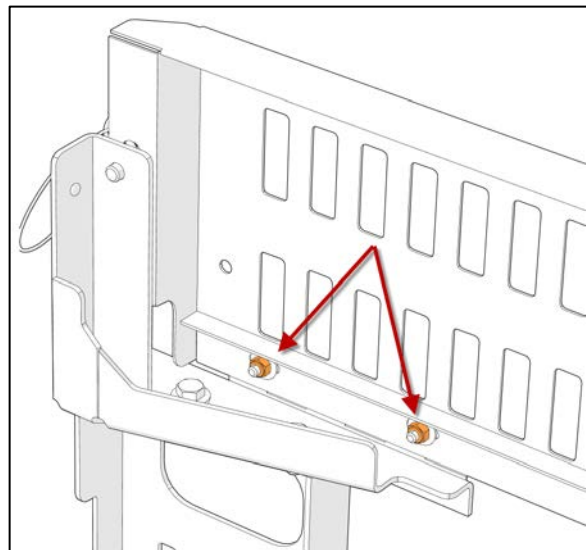


Figure 10

11. Make sure the guard is raised and locked in place with the locking pins (2) as shown on Figure 11.
12. Bulletin is complete.

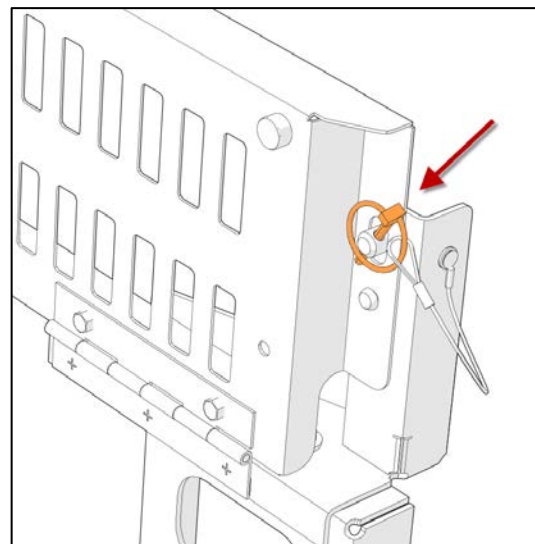


Figure 11

WARRANTY

This modification is covered by Prevo's normal warranty. We will reimburse you fifteen minutes (15 minutes) of labor upon receipt of a warranty claim. Please submit claim via our Online Warranty System, available at www.prevo.com (under Service \ Warranty section). Use Claim Type: "Bulletin/Recall" and select "Warranty Bulletin WB18-08".

OTHER

VBC Bulletin	N/A
Fail Code	18.00
Defect Code	09
Syst. Cond	B
Causal Part	491600

Access all our Service Bulletins on
<http://techpub.prevo.com/en/>
or scan the QR-Code with your smart phone.



Are you a Vehicle owner? E-mail us at
technicalpublications_prev@volvo.com and type "ADD" in the
subject to receive warranty bulletins applicable to your vehicle(s)
by e-mail.