



MAINTENANCE INFORMATION

MI18-22

| | | |
|-----------|---|--------------------------|
| DATE : | May 2018 | SECTION : 23 ACCESSORIES |
| SUBJECT : | ELD INSTALLATION AND PARAMETER LIST ON PREVOST COACHES | |

First Release

DESCRIPTION

Starting with vehicle (VIN) number J-0083 (for the H-Series), J-6281 (X-Series Canada build) and J-7482 (X-Series US build), all Prevost vehicles are equipped with a dedicated ELD interface connector located under the lower left part of the dashboard. This SAE J1939 9 PIN connector is compatible with most FMCSA approved ELD and is isolated by a gateway module to ensure that the ELD will not interfere with the vehicle communication, diagnostic and/or driving systems.

NOTE

The OBD connector, also located under the dashboard, is only intended as a diagnostic equipment connection. Installing an aftermarket plug-in device that uses the OBD port may cause interference and/or damage to the vehicle systems, potentially affecting safe operation.

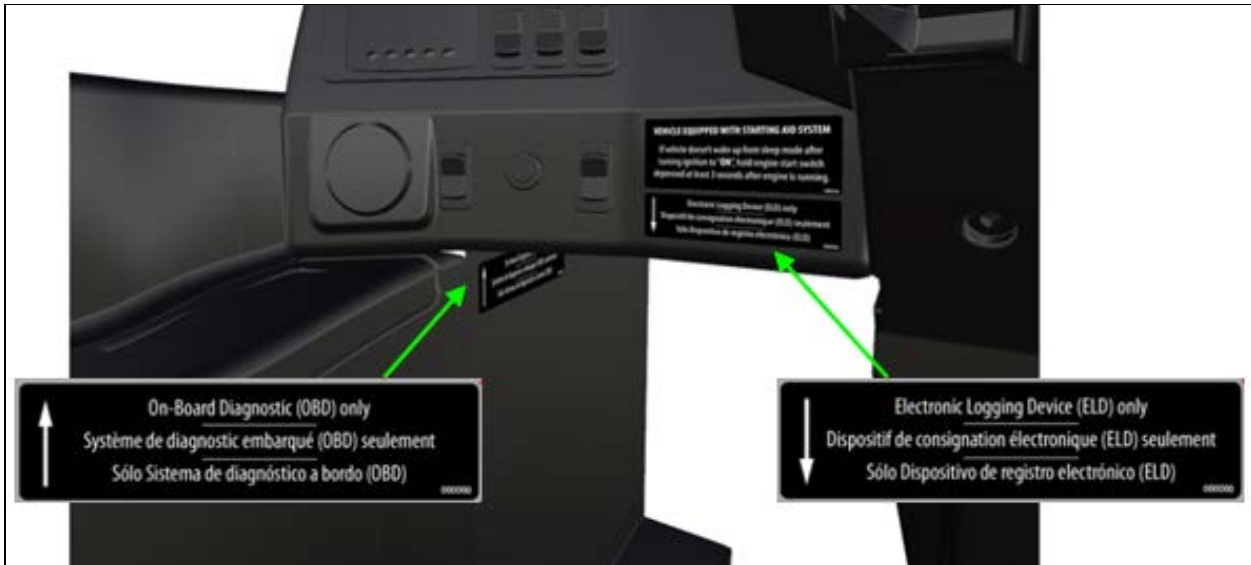
Both connectors (OBD and ELD) are clearly identified under the dash by stickers. ***The OBD port must remain unconnected at all times except during vehicle maintenance (using Prevost approved diagnostic equipment only).***

Prevost also offers three aftermarket kits to cover all Multiplex coaches produced since 2005.

- **069800 KIT: ELD READY SAE 16 PINS**, All Prevost with OBD VOLVO engines, 2014 up to factory introduction in 2018 (Instruction IS-17071).
- **069799 KIT: ELD READY SAE 9 PINS**, VOLVO US07 and US10 engines (Instruction IS-17905).
- **069798 KIT: ELD READY SAE 9 PINS**, Multiplex with DETROIT engines (Instruction IS-17906).

NOTE

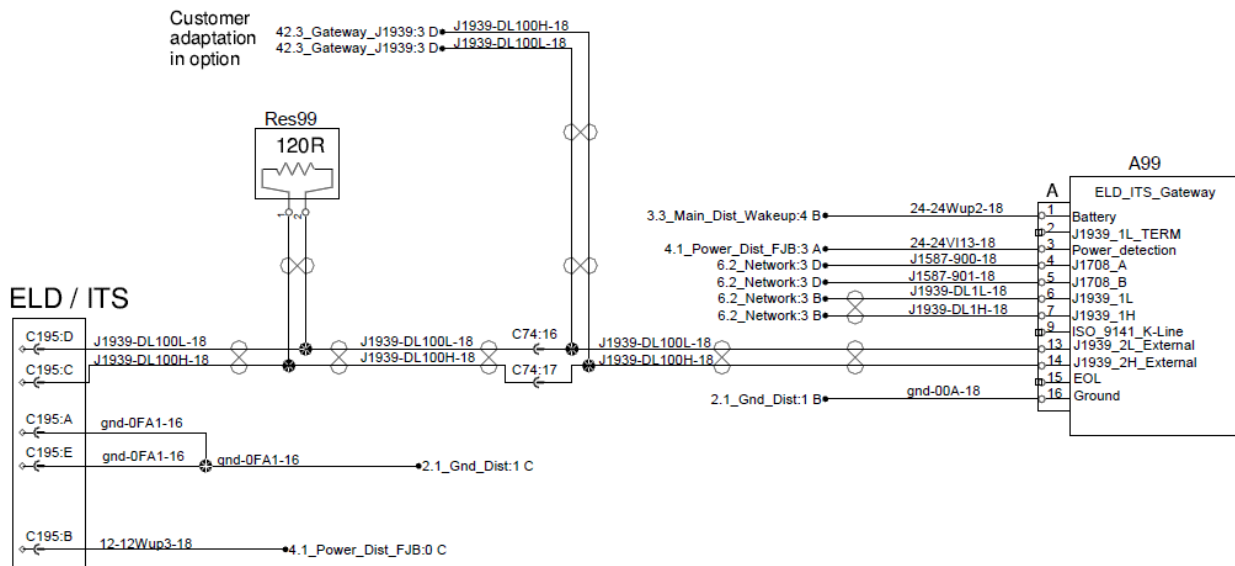
For **NON-Multiplex coaches**, ELD can be connected directly to the SAE 6 PINS DDR connector without the need for a gateway. We recommend installing the Y-harness interface provided by the ELD supplier to let the DDR connector available for diagnostic purpose.



USING THE ELD CONNECTOR, THE OBD (OR DDR) CONNECTOR REMAINS AVAILABLE TO CONNECT DIAGNOSTIC TOOLS. BOTH CONNECTORS, INSTALLED UNDER THE DASHBOARD, ARE IDENTIFIED BY DECALS INSTALLED ON THE LOWER PART OF THE DASHBOARD.

The pin out for ELD connector C195 is shown below:

- A&E = Chassis Ground
- B = 12-volt power (Switch off 15 minutes after key is turned off)
- C = J1939_H
- D = J1939_L



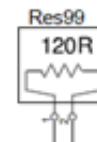
| | | |
|---------|---------------|-----------------------|
| C195: F | 900- J1587 HI | From Vehicle Datalink |
| C195: G | 901- J1587 LO | |

J1587/J1708 data link is only present with aftermarket kits.

NOTE

The Prevost ELD connection is built with two termination resistors; one is non-removable and is located inside the gateway module, the other one is part of the harness. This resistor (Res99) can be removed.

If the ELD device used is equipped with a built-in internal resistor, remove the Res99 termination resistor from the harness.



The table below lists all available PGN (Parameter Group Number) available through the FMS gateway module (DL100).

Enabled PGN are displayed in yellow and have the DL100 value set to “YES”.

PGN can be enabled with PTT (Premium Tech Tool). To enable new PGN, contact your Prevost Regional Service manager or your local Prevost Service Center.

| Parameter | Bit position | default value | Available on DL100 | PGN (dec) | PGN (hex) | PGN name | Comment |
|-----------|--------------|---------------|--------------------|-----------|-----------|-----------------|---------|
| SMF | 0 | 0 | NO | 0 | 0 | TSC1 | |
| SMF | 1 | 0 | NO | 256 | 100 | TC1 | |
| SMF | 2 | 0 | NO | 512 | 200 | EBS11 | |
| SMF | 3 | 0 | NO | 768 | 300 | EBS21 | |
| SMF | 4 | 0 | NO | 1024 | 400 | XBR | |
| SMF | 5 | 0 | NO | 2560 | 0A00 | CCVS2 | |
| SMF | 6 | 0 | NO | 40960 | A000 | DM34 | |
| SMF | 7 | 0 | NO | 43264 | A900 | FLIC | |
| SMF | 8 | 0 | NO | 49408 | C100 | DM21 | |
| SMF | 9 | 0 | NO | 53248 | D000 | CL | |
| SMF | 10 | 0 | NO | 53760 | D200 | ASC2 | |
| SMF | 11 | 0 | NO | 54016 | D300 | DM19 | |
| SMF | 12 | 0 | NO | 54528 | D500 | TDA | |
| SMF | 13 | 0 | NO | 56832 | DE00 | Reset | |
| SMF | 14 | 1 | YES | 57344 | E000 | CM1 | |
| SMF | 15 | 0 | NO | 58368 | E400 | RGE11 | |
| SMF | 16 | 0 | NO | 59392 | E800 | Acknowledgement | |
| SMF | 17 | 1 | YES | 60160 | EB00 | TP.DT | |
| SMF | 18 | 1 | YES | 60416 | EC00 | TP.CM | |
| SMF | 19 | 0 | NO | 60928 | EE00 | Address Claimed | |
| SMF | 20 | 0 | NO | 61440 | F000 | ERC1 | |
| SMF | 21 | 1 | YES | 61441 | F001 | EBC1 | |
| SMF | 22 | 0 | NO | 61442 | F002 | ETC1 | |
| SMF | 23 | 1 | YES | 61443 | F003 | EEC2 | |

| | | | | | | | |
|-----|----|---|-----|-------|------|--------|--|
| SMF | 24 | 1 | YES | 61444 | F004 | EEC1 | |
| SMF | 25 | 1 | YES | 61445 | F005 | ETC2 | |
| SMF | 26 | 0 | NO | 61446 | F006 | EAC1 | |
| SMF | 27 | 0 | NO | 61447 | F007 | FLI1 | |
| SMF | 28 | 0 | NO | 61449 | F009 | VDC2 | |
| SMF | 29 | 0 | NO | 61450 | F00A | EGF1 | |
| SMF | 30 | 0 | NO | 61452 | F00C | ETC8 | |
| SMF | 31 | 0 | NO | 61454 | F00E | AT1IG1 | |
| SMG | 0 | 0 | NO | 61455 | F00F | AT1OG1 | |
| SMG | 1 | 0 | NO | 61483 | F02B | CN | |
| SMG | 2 | 0 | NO | 61487 | F02F | AEBS1 | |
| SMG | 3 | 0 | NO | 64736 | FCE0 | DPFC2 | |
| SMG | 4 | 1 | YES | 64773 | FD05 | DLCD1 | |
| SMG | 5 | 1 | YES | 64777 | FD09 | HRLFC | |
| SMG | 6 | 0 | NO | 64869 | FD65 | AT1FC2 | |
| SMG | 7 | 0 | NO | 64878 | FD6E | SCR1 | |
| SMG | 8 | 0 | NO | 64889 | FD79 | AT1TI | |
| SMG | 9 | 0 | NO | 64891 | FD7B | AT1S | |
| SMG | 10 | 0 | NO | 64892 | FD7C | DPFC1 | |
| SMG | 11 | 0 | NO | 64908 | FD8C | AT1GP | |
| SMG | 12 | 0 | NO | 64916 | FD94 | EEC7 | |
| SMG | 13 | 0 | NO | 64917 | FD95 | TRF2 | |
| SMG | 14 | 0 | NO | 64920 | FD98 | AT1HI | |
| SMG | 15 | 0 | NO | 64923 | FD9B | CRI1 | |
| SMG | 16 | 0 | NO | 64927 | FD9F | AAC1 | |
| SMG | 17 | 0 | NO | 64929 | FDA1 | AFC1 | |
| SMG | 18 | 1 | YES | 64932 | FDA4 | PTODE | |
| SMG | 19 | 0 | NO | 64933 | FDA5 | DC2 | |
| SMG | 20 | 0 | NO | 64946 | FDB2 | ATM1 | |
| SMG | 21 | 0 | NO | 64947 | FDB3 | ATO2 | |
| SMG | 22 | 0 | NO | 64948 | FDB4 | AT12 | |
| SMG | 23 | 0 | NO | 64949 | FDB5 | DM23 | |
| SMG | 24 | 0 | NO | 64950 | FDB6 | DM24 | |
| SMG | 25 | 0 | NO | 64951 | FDB7 | DM25 | |
| SMG | 26 | 0 | NO | 64952 | FDB8 | DM26 | |
| SMG | 27 | 0 | NO | 64962 | FDC2 | EEC14 | |
| SMG | 28 | 0 | NO | 64964 | FDC4 | EBC5 | |
| SMG | 29 | 0 | NO | 64966 | FDC6 | CSA | |
| SMG | 30 | 0 | NO | 64977 | FDD1 | FMS | |
| SMG | 31 | 0 | NO | 64981 | FDD5 | EEC5 | |
| SMH | 0 | 0 | NO | 64997 | FDE5 | MVS | |

| | | | | | | | |
|-----|----|---|-----|-------|------|----------|--|
| SMH | 1 | 0 | NO | 65029 | FE05 | GTACP | |
| SMH | 2 | 0 | NO | 65098 | FE4A | ETC7 | |
| SMH | 3 | 0 | NO | 65099 | FE4B | TCFG2 | |
| SMH | 4 | 0 | NO | 65102 | FE4E | DC1 | |
| SMH | 5 | 0 | NO | 65103 | FE4F | VDC1 | |
| SMH | 6 | 0 | NO | 65105 | FE51 | ACC2 | |
| SMH | 7 | 0 | NO | 65110 | FE56 | AT1T1I | |
| SMH | 8 | 0 | NO | 65112 | FE58 | ASC4 | |
| SMH | 9 | 0 | NO | 65113 | FE59 | ASC3 | |
| SMH | 10 | 0 | NO | 65114 | FE5A | ASC1 | |
| SMH | 11 | 0 | NO | 65115 | FE5B | FLI2 | |
| SMH | 12 | 0 | NO | 65129 | FE69 | ET3 | |
| SMH | 13 | 0 | NO | 65131 | FE6B | DI | |
| SMH | 14 | 0 | NO | 65132 | FE6C | TCO 1 | |
| SMH | 15 | 0 | NO | 65134 | FE6E | HRW | |
| SMH | 16 | 0 | NO | 65135 | FE6F | ACC1 | |
| SMH | 17 | 0 | NO | 65136 | FE70 | CVW | |
| SMH | 18 | 0 | NO | 65151 | FE7F | CT5 | |
| SMH | 19 | 0 | NO | 65159 | FE87 | IT6 | |
| SMH | 20 | 0 | NO | 65170 | FE92 | EI | |
| SMH | 21 | 0 | NO | 65175 | FE97 | TCI5 | |
| SMH | 22 | 0 | NO | 65176 | FE98 | TCI4 | |
| SMH | 23 | 0 | NO | 65177 | FE99 | TCI3 | |
| SMH | 24 | 0 | NO | 65178 | FE9A | TCI2 | |
| SMH | 25 | 0 | NO | 65188 | FEA4 | ET2 | |
| SMH | 26 | 0 | NO | 65194 | FEAA | AF2 | |
| SMH | 27 | 0 | NO | 65195 | FEAB | ETC6 | |
| SMH | 28 | 0 | NO | 65196 | FEAC | EBC #4 | |
| SMH | 29 | 0 | NO | 65197 | FEAD | EBC #3 | |
| SMH | 30 | 0 | NO | 65198 | FEAE | AIR1 | |
| SMH | 31 | 0 | NO | 65213 | FEBD | FANDRIVE | |
| SMI | 0 | 0 | NO | 65214 | FEBE | EEC4 | |
| SMI | 1 | 0 | NO | 65216 | FEC0 | SERVICE | |
| SMI | 2 | 1 | YES | 65217 | FEC1 | VDHR | |
| SMI | 3 | 0 | NO | 65218 | FEC2 | ERC2 | |
| SMI | 4 | 0 | NO | 65219 | FEC3 | ETC5 | |
| SMI | 5 | 0 | NO | 65220 | FEC4 | EBS22 | |
| SMI | 6 | 0 | NO | 65221 | FEC5 | ETC4 | |
| SMI | 7 | 0 | NO | 65223 | FEC7 | ETC3 | |
| SMI | 8 | 0 | NO | 65225 | FEC9 | EBS12 | |
| SMI | 9 | 1 | YES | 65226 | FECA | DM1 | |

| | | | | | | | |
|-----|----|---|-----|-------|------|-----------------|---|
| SMI | 10 | 0 | NO | 65227 | FECB | DM2 | |
| SMI | 11 | 0 | NO | 65228 | FECB | DM3 | |
| SMI | 12 | 0 | NO | 65229 | FECD | DM4 | |
| SMI | 13 | 0 | NO | 65230 | FECE | DM5 | |
| SMI | 14 | 0 | NO | 65231 | FECF | DM6 | |
| SMI | 15 | 0 | NO | 65235 | FED3 | DM11 | |
| SMI | 16 | 0 | NO | 65236 | FED4 | DM12 | |
| SMI | 17 | 0 | NO | 65237 | FED5 | ALTS | |
| SMI | 18 | 0 | NO | 65241 | FED9 | ADIOS | |
| SMI | 19 | 0 | YES | 65242 | FEDA | SI | (Going through FMS gateway using TPCM and TPDT) |
| SMI | 20 | 0 | NO | 65243 | FEDB | EFLP2 | |
| SMI | 21 | 1 | YES | 65244 | FEDC | IO | |
| SMI | 22 | 0 | NO | 65245 | FEDD | TC | |
| SMI | 23 | 0 | NO | 65246 | FEDE | ASP | |
| SMI | 24 | 0 | NO | 65247 | FEDF | EEC3 | |
| SMI | 25 | 1 | YES | 65248 | FEE0 | VD | (Allowed by gateway to be transferred, but doesn't seem present on DL1) |
| SMI | 26 | 0 | YES | 65249 | FEE1 | RETARDER CONFIG | (Going through FMS gateway using TPCM and TPDT) |
| SMI | 27 | 0 | NO | 65250 | FEE2 | TRANS CONF | |
| SMI | 28 | 0 | YES | 65251 | FEE3 | ENGINE CONFIG | (Going through FMS gateway using TPCM and TPDT) |
| SMI | 29 | 0 | NO | 65252 | FEE4 | SHUTDN | |
| SMI | 30 | 1 | YES | 65253 | FEE5 | HOURS | |
| SMI | 31 | 0 | NO | 65254 | FEE6 | TD | |
| SMJ | 0 | 0 | NO | 65255 | FEE7 | VH | |
| SMJ | 1 | 1 | YES | 65256 | FEE8 | VDS | (Allowed by gateway to be transferred, but doesn't seem present on DL1) |
| SMJ | 2 | 1 | YES | 65257 | FEE9 | LFC | |
| SMJ | 3 | 0 | NO | 65258 | FEEA | VW | |

| | | | | | | | |
|-----|----|---|-----|-------|------|-----------|---|
| SMJ | 4 | 0 | YES | 65259 | FEEB | CI | (Going through FMS gateway using TPCM and TPDT) |
| SMJ | 5 | 1 | YES | 65260 | FEEC | VI | (Going through FMS gateway using TPCM and TPDT) |
| SMJ | 6 | 0 | NO | 65261 | FEED | CCVSS | |
| SMJ | 7 | 1 | YES | 65262 | FEED | ET1 | |
| SMJ | 8 | 1 | YES | 65263 | FEED | EFL/P1 | |
| SMJ | 9 | 0 | NO | 65264 | FEF0 | PTOI | |
| SMJ | 10 | 1 | YES | 65266 | FEF2 | LFE | |
| SMJ | 11 | 0 | NO | 65267 | FEF3 | VP | |
| SMJ | 12 | 0 | NO | 65268 | FEF4 | TIRE | |
| SMJ | 13 | 0 | NO | 65269 | FEF5 | AMB | |
| SMJ | 14 | 0 | NO | 65270 | FEF6 | IC1 | |
| SMJ | 15 | 0 | NO | 65271 | FEF7 | VEP1 | |
| SMJ | 16 | 1 | YES | 65272 | FEF8 | TRF1 | |
| SMJ | 17 | 0 | NO | 65273 | FEF9 | AXLEI | |
| SMJ | 18 | 1 | YES | 65274 | FEFA | BRAKES | |
| SMJ | 19 | 0 | NO | 65275 | FEFB | RETARDERF | |
| SMJ | 20 | 1 | YES | 65276 | FEFC | DD | |
| SMJ | 21 | 0 | NO | 65277 | FEFD | ALTFUEL1 | |
| SMJ | 22 | 0 | NO | 65278 | FEFE | AWPP | |
| SMJ | 23 | 0 | NO | 65279 | FEFF | WFI | |
| SMJ | 24 | 0 | NO | 65282 | FF02 | VP2 | |
| SMJ | 25 | 0 | NO | 65292 | FF0C | VP12 | |
| SMJ | 26 | 0 | NO | 65296 | FF10 | VP16 | |
| SMJ | 27 | 0 | NO | 65317 | FF25 | VP37 | |
| SMJ | 28 | 0 | NO | 65323 | FF2B | VP43 | |
| SMJ | 29 | 0 | NO | 65325 | FF2D | VP45 | |
| SMJ | 30 | 0 | NO | 65330 | FF32 | VP50 | |
| SMJ | 31 | 0 | NO | 65331 | FF33 | VP51 | |
| SMK | 0 | 0 | NO | 65332 | FF34 | VP52 | |
| SMK | 1 | 0 | NO | 65333 | FF35 | VP53 | |
| SMK | 2 | 0 | NO | 65334 | FF36 | VP54 | |
| SMK | 3 | 0 | NO | 65335 | FF37 | VP55 | |
| SMK | 4 | 0 | NO | 65336 | FF38 | VP56 | |
| SMK | 5 | 0 | NO | 65337 | FF39 | VP57 | |
| SMK | 6 | 0 | NO | 65338 | FF3A | VP58 | |
| SMK | 7 | 0 | NO | 65339 | FF3B | VP59 | |
| SMK | 8 | 0 | NO | 65340 | FF3C | VP60 | |
| SMK | 9 | 0 | NO | 65341 | FF3D | VP61 | |

| | | | | | | | |
|-----|----|---|----|-------|------|------------|--|
| SMK | 10 | 0 | NO | 65347 | FF43 | VP67 | |
| SMK | 11 | 0 | NO | 65348 | FF44 | VP68 | |
| SMK | 12 | 0 | NO | 65427 | FF93 | VP147 | |
| SMK | 13 | 0 | NO | 65434 | FF9A | VP154 | |
| SMK | 14 | 0 | NO | 65441 | FFA1 | VP161 | |
| SMK | 15 | 0 | NO | 65450 | FFAA | VP170 | |
| SMK | 16 | 0 | NO | 65466 | FFBA | VP186 | |
| SMK | 17 | 0 | NO | 65468 | FFBC | VP188 | |
| SMK | 18 | 0 | NO | 65470 | FFBE | VP190 | |
| SMK | 19 | 0 | NO | 65471 | FFBF | VP191 | |
| SMK | 20 | 0 | NO | 65472 | FFC0 | VP192 | |
| SMK | 21 | 0 | NO | 65481 | FFC9 | VP201 | |
| SMK | 22 | 0 | NO | 65483 | FFCB | VP203 | |
| SMK | 23 | 0 | NO | 65484 | FFCC | VP204 | |
| SMK | 24 | 0 | NO | 65485 | FFCD | VP205 | |
| SMK | 25 | 0 | NO | 65486 | FFCE | VP206 | |
| SMK | 26 | 0 | NO | 65487 | FFCF | VP207 | |
| SMK | 27 | 0 | NO | 65490 | FFD2 | VP210 | |
| SMK | 28 | 0 | NO | 65491 | FFD3 | VP211 | |
| SMK | 29 | 0 | NO | 65492 | FFD4 | VP212 | |
| SMK | 30 | 0 | NO | 65493 | FFD5 | VP213 | |
| SMK | 31 | 0 | NO | 65494 | FFD6 | VP214 | |
| SML | 0 | 0 | NO | 65495 | FFD7 | VP215 | |
| SML | 1 | 0 | NO | 65496 | FFD8 | VP216 | |
| SML | 2 | 0 | NO | 65497 | FFD9 | VP217 | |
| SML | 3 | 0 | NO | 65498 | FFDA | VP218 | |
| SML | 4 | 0 | NO | 65499 | FFDB | VP219 | |
| SML | 5 | 0 | NO | 65513 | FFE9 | VP233 | |
| SML | 6 | 0 | NO | 65514 | FFEA | VP234 | |
| SML | 7 | 0 | NO | 65515 | FFEB | VP235 | |
| SML | 8 | 0 | NO | 65519 | FFEF | VP239 | |
| SML | 9 | 0 | NO | 65535 | FFFF | future use | |
| SML | 10 | 0 | NO | 65535 | FFFF | future use | |
| SML | 11 | 0 | NO | 65535 | FFFF | future use | |
| SML | 12 | 0 | NO | 65535 | FFFF | future use | |
| SML | 13 | 0 | NO | 65535 | FFFF | future use | |
| SML | 14 | 0 | NO | 65535 | FFFF | future use | |
| SML | 15 | 0 | NO | 65535 | FFFF | future use | |
| SML | 16 | 0 | NO | 65535 | FFFF | future use | |
| SML | 17 | 0 | NO | 65535 | FFFF | future use | |
| SML | 18 | 0 | NO | 65535 | FFFF | future use | |

| | | | | | | | |
|-----|----|---|----|-------|------|------------|--|
| SML | 19 | 0 | NO | 65535 | FFFF | future use | |
| SML | 20 | 0 | NO | 65535 | FFFF | future use | |
| SML | 21 | 0 | NO | 65535 | FFFF | future use | |
| SML | 22 | 0 | NO | 65535 | FFFF | future use | |
| SML | 23 | 0 | NO | 65535 | FFFF | future use | |
| SML | 24 | 0 | NO | 65535 | FFFF | future use | |
| SML | 25 | 0 | NO | 65535 | FFFF | future use | |
| SML | 26 | 0 | NO | 65535 | FFFF | future use | |
| SML | 27 | 0 | NO | 65535 | FFFF | future use | |
| SML | 28 | 0 | NO | 65535 | FFFF | future use | |
| SML | 29 | 0 | NO | 65535 | FFFF | future use | |
| SML | 30 | 0 | NO | 65535 | FFFF | future use | |
| SML | 31 | 0 | NO | 65535 | FFFF | future use | |

Access all our Service Bulletins on <http://techpub.prevostcar.com/en/>
Or scan the QR-Code with your smart phone

Are you a Vehicle owner?
E-mail us at technicalpublications_prev@volvo.com and type "ADD" in the subject to
receive warranty bulletins applicable to your vehicle(s) by e-mail.

