


PREVOST

Instruction Sheet

IS-00093

HVAC MODULE AND TEMPERATURE SENSOR REPLACEMENT GUIDE FOR VIP AND XLII MTH SERIES VEHICLES WITH SMALL A/C SYSTEM

APPLICATION

Model	VIN
H3-45 VIP Bus Shell with <u>small</u> A/C system Model Year : 1999 - 2001	 From 2PCW33497X1012488 up to 2PCV3349X11014193 incl.
XLII-45 Bus Shell with <u>small</u> A/C system Model Year : 2000 - 2001	From 2PCW33499Y1027046 up to 2PCW3349X11027546 incl.

MATERIAL

VIP series vehicles, kit #871249 includes the following parts :

Part No.	Description	Qty
871211	HVAC module for small A/C system	1
065328	Harness, identified 12LX	1
563063	Temperature sensor	1
373792	Sensor holder	1
373793	Adapter	1
500638	Screw	4
504637	Nylon tie	4
373802	Hose 1080mm (42")	1
IS-00093	Instruction Sheet	1
FI-00093	Feuille d'instructions	1

XLII MTH series vehicles, kit #871248 includes the following parts :

Pièce No	Description	Qté
871212	HVAC module for small A/C system	1
065328	Harness, identified 12LX	1

563063	Temperature sensor	1
373792	Sensor holder	1
373793	Adapter	1
500638	Screw	4
504637	Nylon tie	4
373802	Hose 1080mm (42")	1
065302	Sensor extension harness	1
IS-00093	Instruction Sheet	1
FI-00093	Feuille d'instructions	1

Note : Material can be obtained through regular channels.

PROCEDURE

Warning : Park vehicle safely, apply parking brake, stop engine and set battery master switch(es) to the OFF position prior to working on the vehicle.

1. Remove the dashboard cover (figure 1).

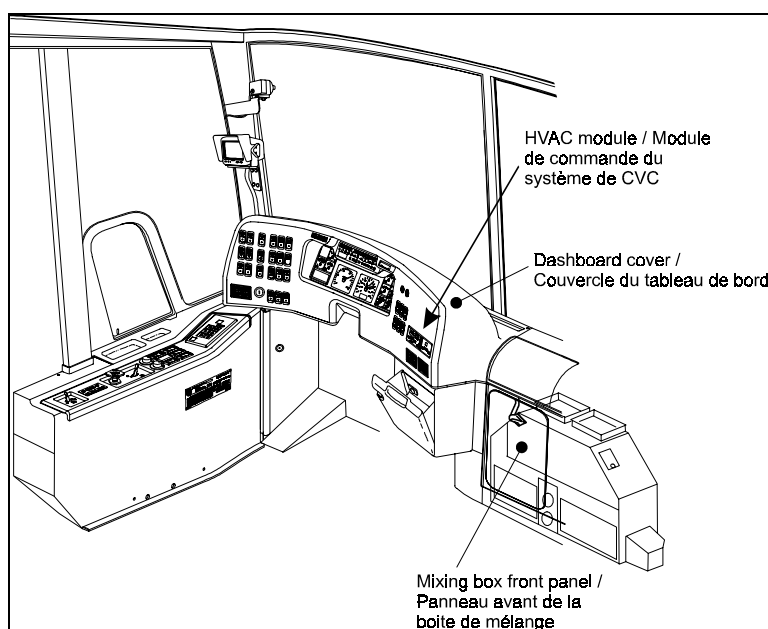


FIGURE 1

22208

2. Remove the access panel to the air mixing box.
3. Remove the air mixing box front panel (figure 1).
4. Drill a 1" (25mm) diameter hole in the upper left corner of the air mixing box front panel. Apply silicone on the back of adapter #373793 and fix with two screws #500638. See figure 2 for proper positioning.
5. Reinstall the air mixing box front panel.
6. Drill two 1/8" diameter holes and fix sensor holder #373792 under the dashboard with two screws #500638. See figure 3 for proper positioning.
7. Follow windshield wiper lever rod and route hose #373802 from the adapter to the sensor holder, passing behind the utility drawers. Plug the hose to both the adapter and the sensor holder. If hose is longer than required, cut the length in excess.

Note : Make sure that the hose is not in contact with wiper driving mechanism.

8. Insert temperature sensor #563063 into holder.
9. Among the dashboard wiring, locate and unplug connector C474 from the existing temperature sensor and route it down to C474 of the new temperature sensor #563063. For XLII series vehicles, use sensor extension harness #065302 between sensor and existing C4747 of dashboard harness. Remove previous temperature sensor located inside driver's defrost outlets and secured with a screw (see figure 4 for location). Using nylon ties, secure the new sensor wire on the hose.
10. Unplug connector C539, C540 & C140 from actual HVAC module, remove the module and replace it with new module #871212 (XLII) or #871211 (VIP). Plug all connectors.

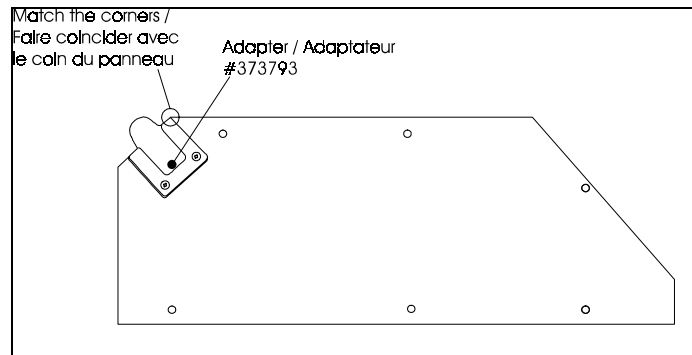


FIGURE 2 : AIR MIXING BOX FRONT PANEL

22204

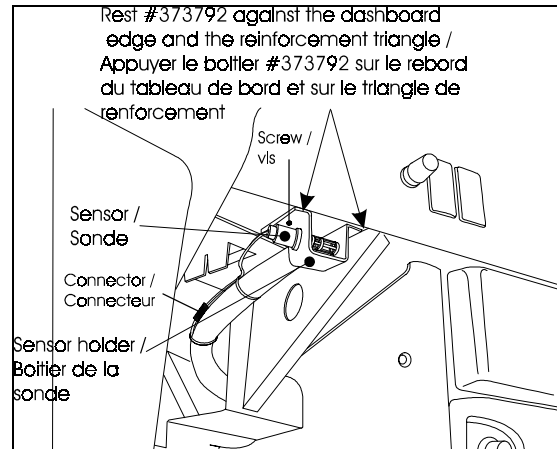


FIGURE 3 : VIEW FROM UNDER THE DASHBOARD

22205

11. In front electric and service compartment, connect harness #065328 (identified 12LX) to upper screw terminal of circuit breaker CB129 and route up to the back part of the dashboard (figure 5).

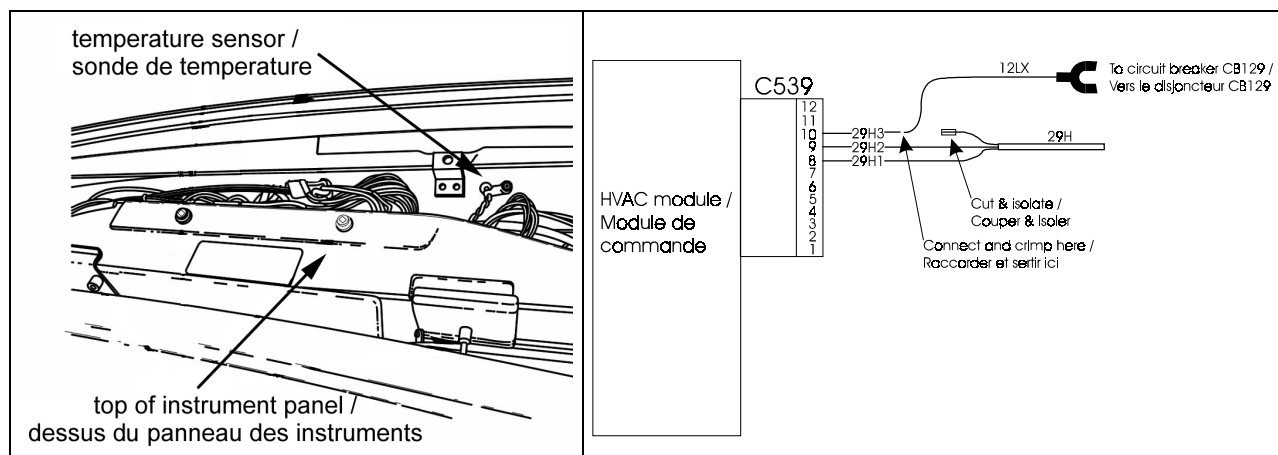


FIGURE 4 : EXISTING SENSOR TO REMOVE

FIGURE 5 : HARNESS #065328 (12LX) INSTALLATION

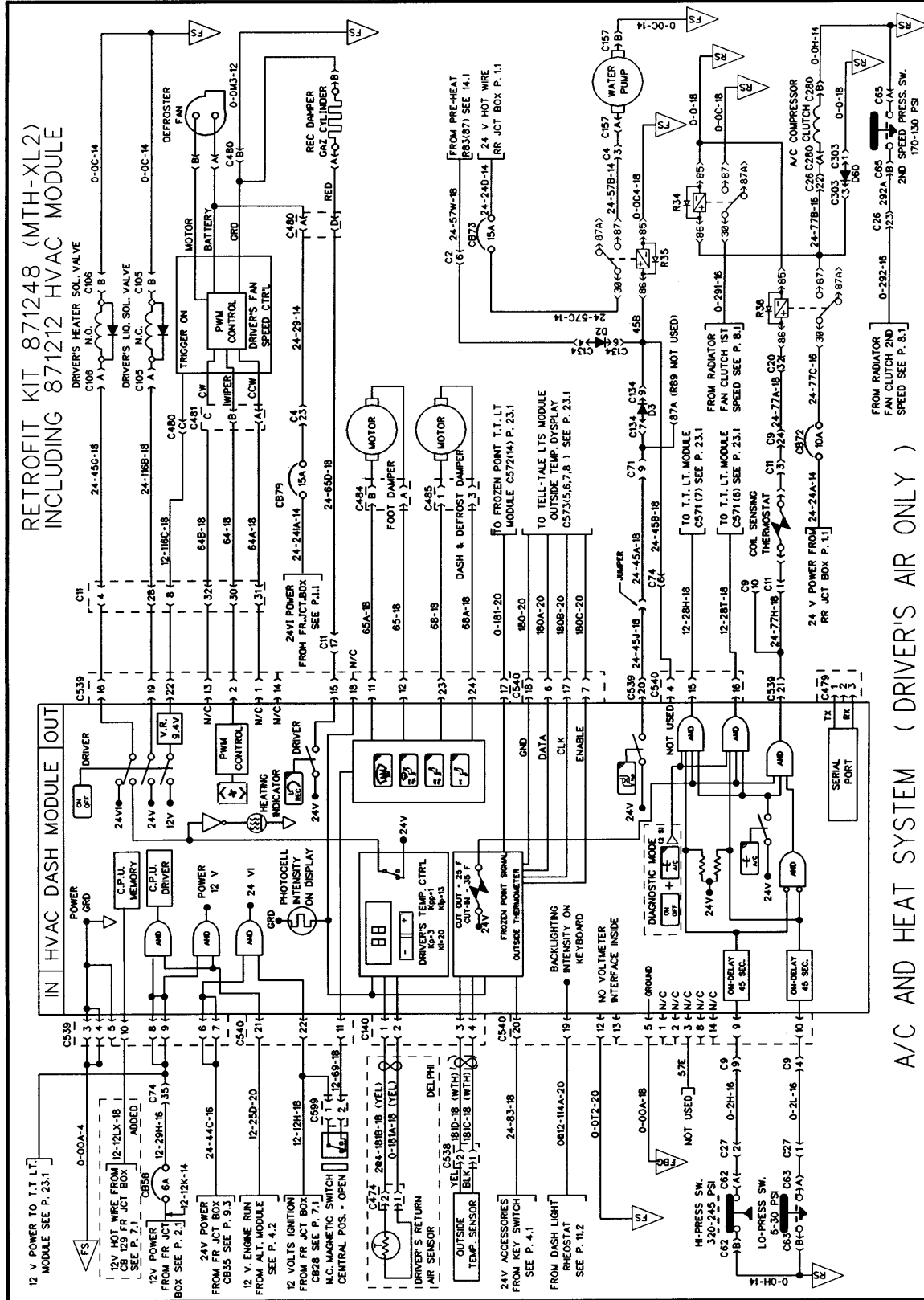
22206

12. Locate and cut wire 29H coming from pin 10 of connector C539. Connect and crimp to wire 12LX. Isolate the other extremity of 29H with electric tape or a heat-shrinking sleeve (figure 5).
13. Proceed to the testing of the system.
14. Reinstall the dashboard cover and the air mixing box access panel.

Note : *The installation of new HVAC module will make inoperative the dashboard voltmeter (24-volt system) for the vehicles equipped with Dixon cluster.*

Note : *Replace page 15.4 (VIP) or 15.1 (MTH) of your wiring diagram with the version included in this instruction sheet.*

RETROFIT KIT 871248 (MTH-XL2)
INCLUDING 871212 HVAC MODULE



A/C AND HEAT SYSTEM (DRIVER'S AIR ONLY)

WIRING DIAGRAM XLII MTH RETROFIT KIT #871248 SMALL HVAC MODULE

