

# PREVOST

## WARRANTY BULLETIN


**WB23-23**

DATE :	August 2023	SECTION :	04 EXHAUST
EXPIRATION:	August 2025		
SUBJECT :	<b>EXHAUST LEAK</b>		

First Release

09-20-2023

### APPLICATION


<b>NOTICE TO SERVICE CENTERS</b>	
<i>Verify vehicle eligibility by checking warranty bulletin status with <b>SAP</b> or via <b>ONLINE WARRANTY SYSTEM</b> available on Service / Warranty tab of Prevost website.</i>	
Model	VIN 
H3-45 coaches Model Year: 2023	2PCH33494 <u>PC721431</u>
H3-45 coaches Model Year: 2024	From 2PCH33492 <u>RC721463</u> up to 2PCH33495 <u>RC721473</u> incl.
H3-45 VIP motorhomes Model Year: 2023	From 2PCVS3496 <u>PC721436</u> up to 2PCVS3495 <u>PC721492</u> incl.
X3-45 coaches Model Year: 2023	From 2PCG33494 <u>PC736846</u> up to 2PCG33495 <u>PC736869</u> incl.
X3-45 VIP motorhomes Model Year: 2023	2PCBS3499 <u>PC736838</u> & 2PCBS3494 <u>PC736861</u>
X3-45 VIP commercial use Model Year: 2023	From 2PCCS3495 <u>PC736825</u> up to 2PCCS349X <u>PC736884</u> incl.
<p><b>This bulletin does not necessarily apply to all the above-mentioned vehicles, some vehicles may have been modified before delivery. The owners of the vehicles affected by this bulletin will be advised by a letter indicating the Vehicle Identification Number (VIN) of each vehicle concerned.</b></p>	

## DESCRIPTION

On the vehicles affected by this bulletin there is a possibility of an exhaust leak.

## MATERIAL

Order the following part:

Part No	Description	Qty
21095726	GASKET EXHAUST PIPE V-BAND JOINT, 5 INCH 	1

## SAFETY PRECAUTIONS

- Eye protection should always be worn when working in a shop.
- Rules for Personal Protection Equipment should always be respected. Wear your PPE including but not limited to the following:



# Safety First!



## PROCEDURE



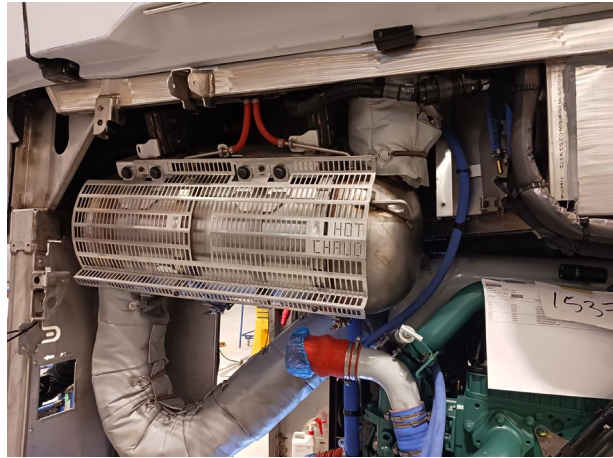
### DANGER

Park vehicle safely, apply parking brake, stop the engine. Prior to working on the vehicle, set the ignition switch to the OFF position and trip the main circuit breakers equipped with a trip button. On the Commuter type vehicles, set the battery master switch (master cut-out) to the OFF position.

Lockout & Tag out (LOTO) must be performed during set-up, maintenance or repair activities. Refer to your local procedure for detailed information regarding the control of hazardous energy.

### H3-45

1. Locate the DPF outlet.



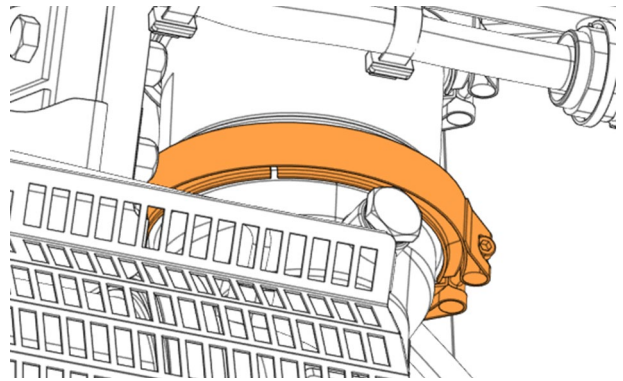
2. Remove the protective blanket.



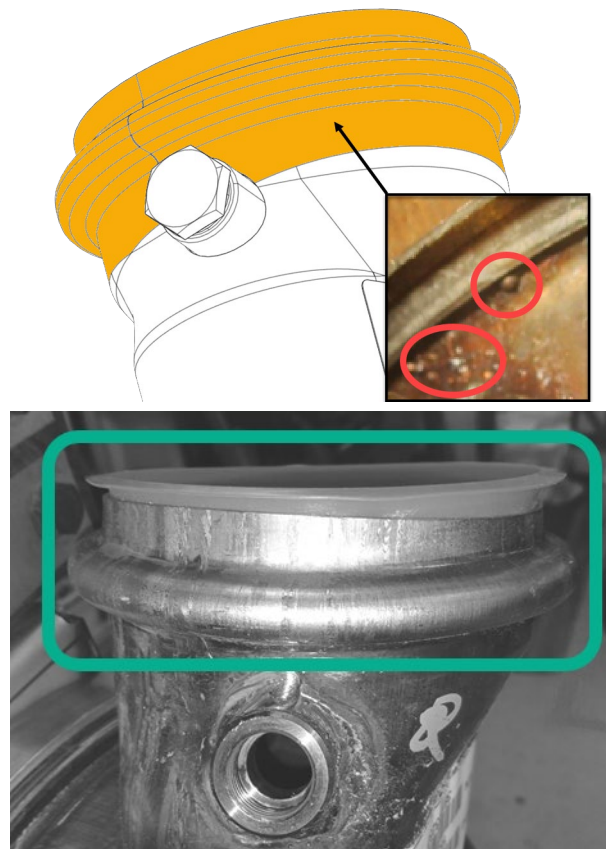
3. Check if you see exhaust leak see picture.  
If yes go to next step.  
If not, reattach the blanket to complete the procedure.



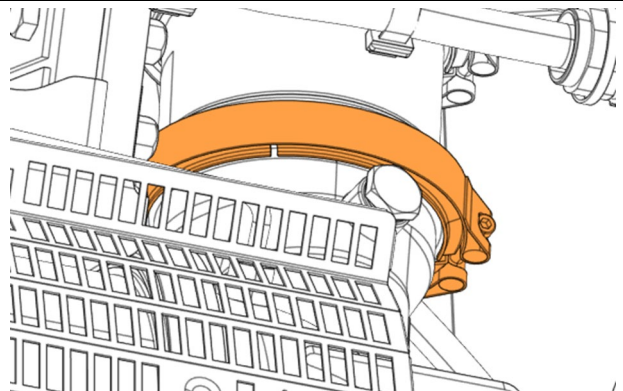
4. Remove the clamp and gasket



5. Grind off welding spatter of the DPF output.

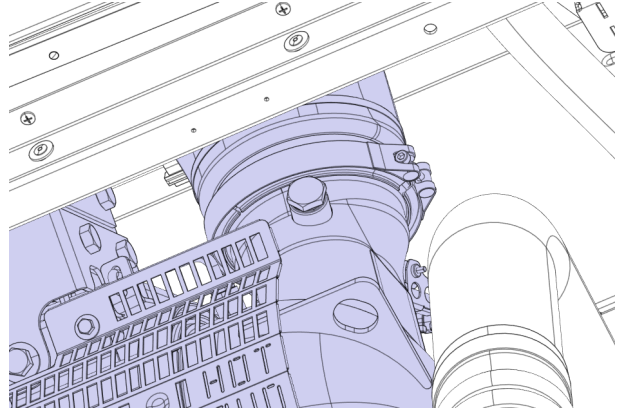


6. Install the new gasket 21095726.
7. Reinstall the clamp with a torque of 100 lb-in.
8. Reattach the blanket.



### X3-45

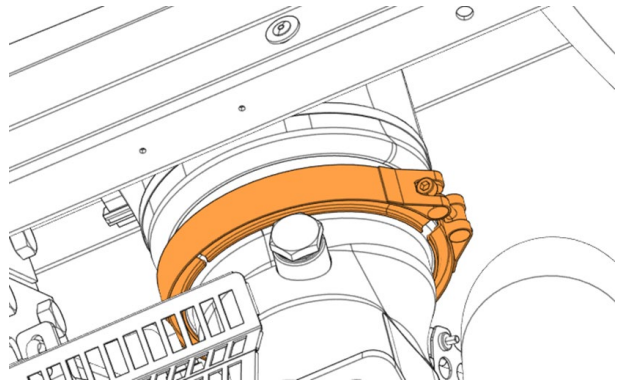
1. Locate the DPF outlet.



2. Check if you see exhaust leak see picture.  
If yes go to next step.  
Otherwise, the procedure is complete.

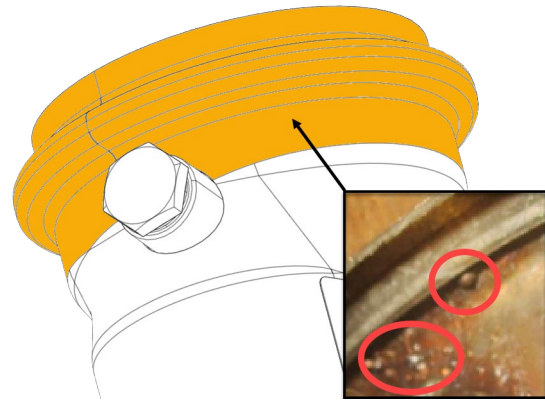


3. Remove the clamp.

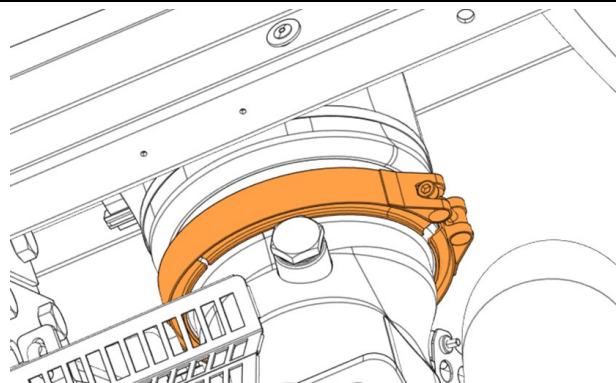




9. Grind off welding spatter of the DPF output.



4. Install the new gasket 21095726.
5. Reinstall the clamp with a torque of 100 lb-in.
6. Reattach the blanket.



## PARTS / WASTE DISPOSAL

DO NOT RETURN THE REPLACED PARTS. Discard waste according to applicable environmental regulations (Municipal/State[Prov.]/ Federal)

## WARRANTY

This modification is covered by Prevost's normal warranty. We will reimburse you 1/2 hour(s) (.5) of labor upon receipt of a warranty claim. Please submit claim via our Online Warranty System, available at [www.prevostcar.com](http://www.prevostcar.com) (under Service \ Warranty section). Use Claim Type: "Bulletin/Recall" and select "Warranty Bulletin WB23-23".

## OTHER

VBC Bulletin	N/A
Fail Code	04.00
Defect Code	09
Syst. Cond	B
Causal Part	22058307

Access all our Service Bulletins on  
<http://techpub.prevostcar.com/en/>  
or scan the QR-Code with your smart phone.



**Are you a Vehicle owner? E-mail us at [technicalpublications\\_prev@volvo.com](mailto:technicalpublications_prev@volvo.com) and type "ADD" in the subject to receive warranty bulletins applicable to your vehicle(s) by e-mail.**