

# PREVOST

## WARRANTY BULLETIN

### WB23-22A

DATE :	October 2023	SECTION :	18 BODY
EXPIRATION:	October 2025		
SUBJECT :	<b>PARCEL RACK DOOR HANDLE REPLACEMENT (WITHOUT LOCK)</b>		

Revision: A

Add adjustment for door handle hole.

12-13-2023

### APPLICATION

<b>NOTICE TO SERVICE CENTERS</b>	
<i>Verify vehicle eligibility by checking warranty bulletin status with <b>SAP</b> or via <b>ONLINE WARRANTY SYSTEM</b> available on Service / Warranty tab of PrevoSt website.</i>	
Model	VIN
H3-45 coaches Model Year: 2023	From 2PCH33497PC721407 up to 2PCH33496PC721446 incl.
X3-45 coaches Model Year: 2023	From 2PCG33494PC736846 up to 2PCG33494PC736877 incl.
<p><b>This bulletin does not necessarily apply to all the above-mentioned vehicles, some vehicles may have been modified before delivery. The owners of the vehicles affected by this bulletin will be advised by a letter indicating the Vehicle Identification Number (VIN) of each vehicle concerned.</b></p>	

### DESCRIPTION

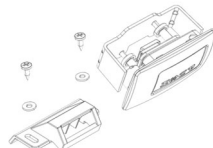
On the vehicles affected by this bulletin replace parcel rack door handle without lock and catch by new improved model 810013 and 313667.

### MATERIAL

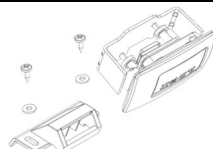
Order kit # WB23-22-1, includes the following parts: (Model H3-45)

Part No	Description	Qty
315191	PARCEL RACK DOOR HANDLE WITHOUT LOCK KIT	14



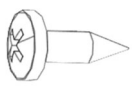

Order kit # WB23-22-2, includes the following parts: (Model X3-45 without wheelchair lift)

Part No	Description	Qty
315191	PARCEL RACK DOOR HANDLE WITHOUT LOCK KIT 	13

Order kit # WB23-22-3, includes the following parts: (Model X3-45 with wheelchair lift)

Part No	Description	Qty
315191	PARCEL RACK DOOR HANDLE WITHOUT LOCK KIT 	11

Each kit contains #315191:

Part No	Description	Qty
810013	HANDLE LATCH WITHOUT LOCK 	1
313667	CATCH 	1
500638	SCREW TAPPING PAN PH #8X1/2 Z050 	2
500855	WASHER FLAT N500 .188X.438X.049 	2

**NOTE**

*Material can be obtained through regular channels.  
One kit per door.*

## SAFETY PRECAUTIONS

- Eye protection should always be worn when working in a shop.
- Rules for Personal Protection Equipment should always be respected. Wear your PPE including but not limited to the following:



# Safety First!



## PROCEDURE

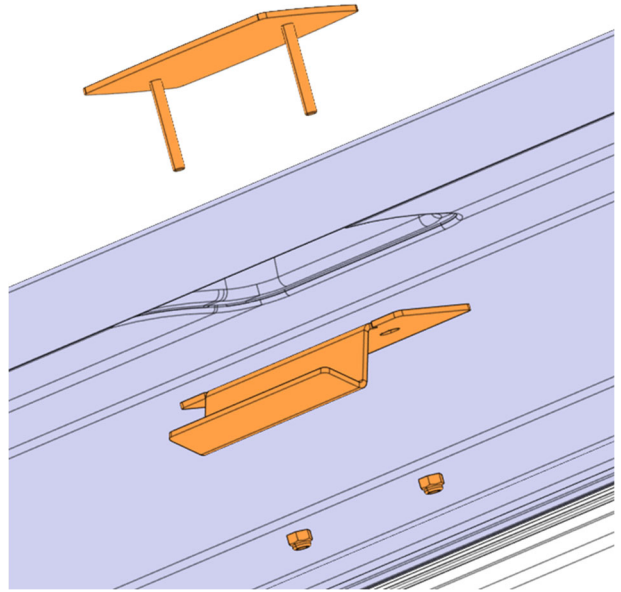


### DANGER

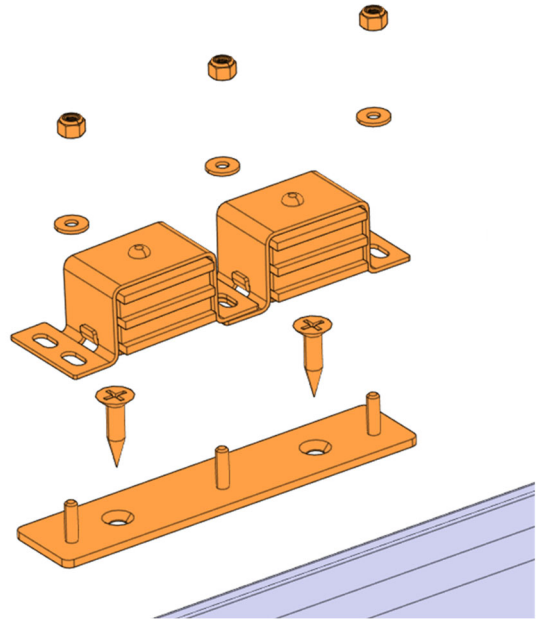
Park vehicle safely, apply parking brake, stop the engine. Prior to working on the vehicle, set the ignition switch to the OFF position and trip the main circuit breakers equipped with a trip button. On the Commuter type vehicles, set the battery master switch (master cut-out) to the OFF position.

Lockout & Tag out (LOTO) must be performed during set-up, maintenance or repair activities. Refer to your local procedure for detailed information regarding the control of hazardous energy.

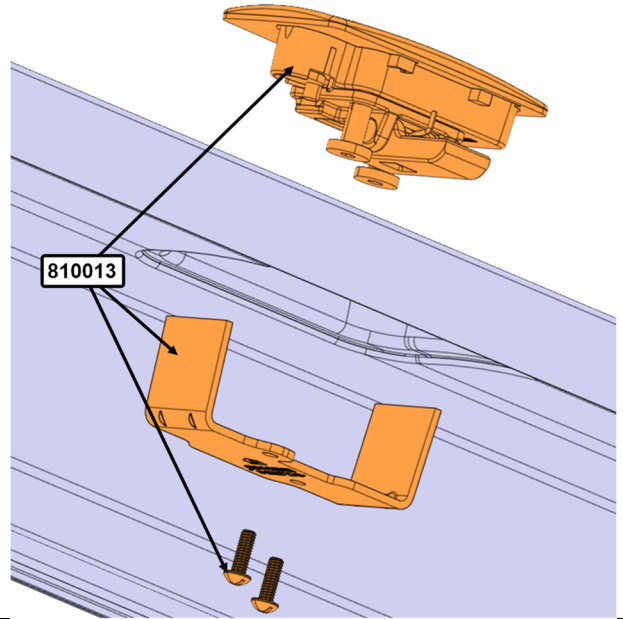
1. Remove the old handle.



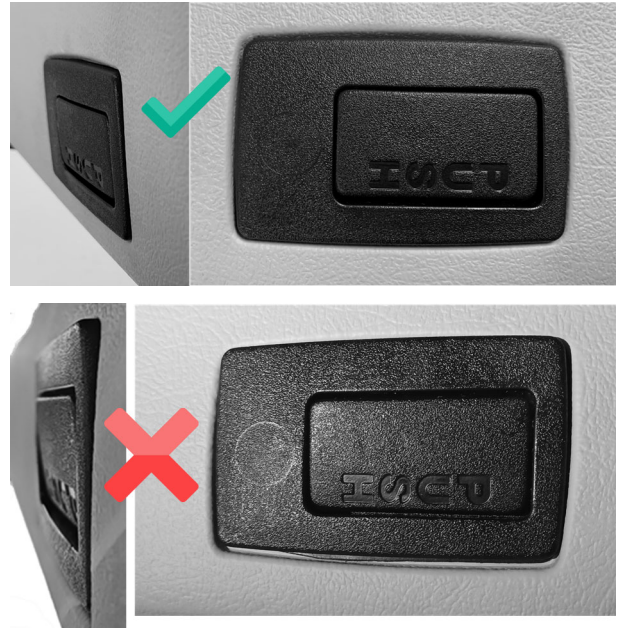
2. Remove the old catch.



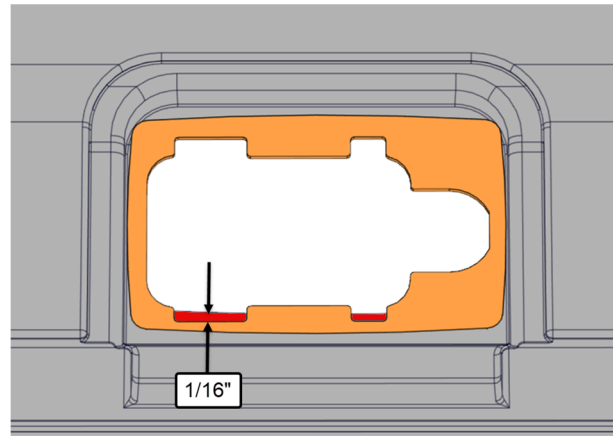
3. Install the handle 810013 use the bracket and screws (2x) include with the handle.



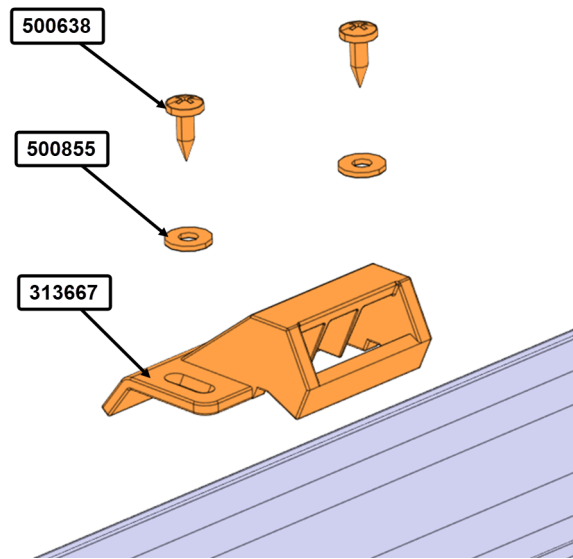
4. How to verify if the door handle is in the correct position. See pictures.
5. If you are not able to correctly install the door handle, go to the next step.



6. Modify the door handle hole.
7. Use the gasket of the door handle as template to mark the location of the two notches to grind.
8. Grind two notches on the door panel.



9. Install catch 313667 with screws 500638 (2x) and washers 500855 (2x), use same hole than older catch.



## PARTS / WASTE DISPOSAL

DO NOT RETURN THE REPLACED PARTS. Discard waste according to applicable environmental regulations (Municipal/State[Prov.]/ Federal)

## WARRANTY

This modification is covered by Prevost's normal warranty. We will reimburse you the parts and labor as per the table below upon receipt of a warranty claim. Please submit claim via our Online Warranty System, available at [www.prevostcar.com](http://www.prevostcar.com) (under Service \ Warranty section). Use Claim Type: "Bulletin/Recall" and select "Warranty Bulletin WB23-22A".

Kit No	Qty of handle kit	Model	Labor
WB23-22-1	14	H3-45	3.5
WB23-22-2	13	X3-45 without wheelchair lift	3.25
WB23-22-3	11	X3-45 with wheelchair lift	2.75

## OTHER

VBC Bulletin	N/A
Fail Code	18.15
Defect Code	09
Syst. Cond	B
Causal Part	411471

Access all our Service Bulletins on  
<http://techpub.prevostcar.com/en/>  
or scan the QR-Code with your smart phone.



**Are you a Vehicle owner?** E-mail us at  
***technicalpublications\_prev@volvo.com*** and type "ADD" in the  
subject to receive warranty bulletins applicable to your vehicle(s)  
by e-mail.