

PREVOST

WARRANTY BULLETIN

WB23-25

DATE :	October 2023	SECTION :	18 BODY
EXPIRATION:	October 2025		
SUBJECT :	QR CODE REPLACEMENT		



First Release

10-04-2023

APPLICATION

NOTICE TO SERVICE CENTERS

Verify vehicle eligibility by checking warranty bulletin status with **SAP** or via **ONLINE WARRANTY SYSTEM** available on Service / Warranty tab of Prevost website.

Model	VIN	
H3-45 coaches Model Year: 2024	From 2PCH3349XRC721453 up to 2PCH33498RC721502 incl.	 
<p><small>This bulletin does not necessarily apply to all the above-mentioned vehicles, some vehicles may have been modified before delivery. The owners of the vehicles affected by this bulletin will be advised by a letter indicating the Vehicle Identification Number (VIN) of each vehicle concerned.</small></p>		

DESCRIPTION

On the vehicles affected by this bulletin, replace driver's and passenger's QR code.

MATERIAL

Order kit #WB23-25 includes the following parts:

Part No.	Description	Qty
406927	DECAL, QR CODE DRIVER	1
406926	DECAL, QR CODE PASSENGER	28

Other parts that may be required:

Part No.	Description	Qty
685840	GLASS CLEANER	1

NOTE
Material can be obtained through regular channels.

SAFETY PRECAUTIONS

- Eye protection should always be worn when working in a shop.
- Rules for Personal Protection Equipment should always be respected. Wear your PPE including but not limited to the following:



Safety First!



PROCEDURE



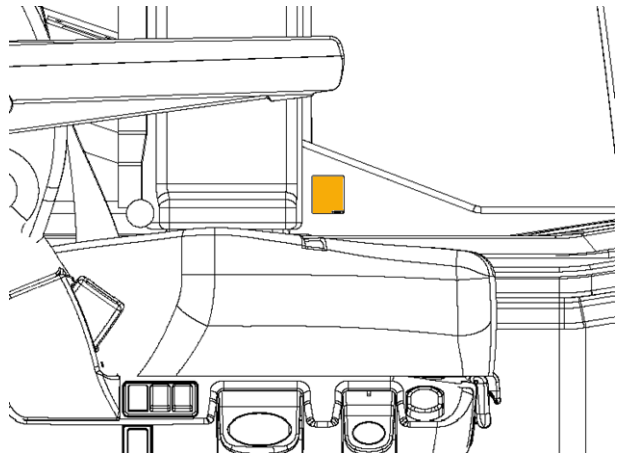
DANGER

Park vehicle safely, apply parking brake, stop the engine. Prior to working on the vehicle, set the ignition switch to the OFF position and trip the main circuit breakers equipped with a trip button. On the Commuter type vehicles, set the battery master switch (master cut-out) to the OFF position.

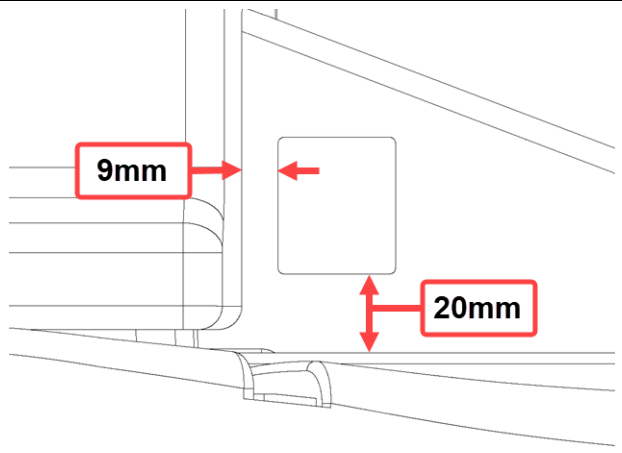
Lockout & Tag out (LOTO) must be performed during set-up, maintenance or repair activities. Refer to your local procedure for detailed information regarding the control of hazardous energy.

DRIVER'S QR CODE DECAL INSTALLATION

1. Remove the old driver QR code decal located to the left of the driver.
2. Clean the surface with alcohol.

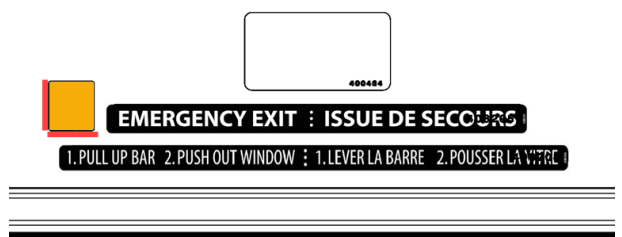


3. Install the new decal 406927.



PASSENGER'S QR CODE DECAL INSTALLATION

1. Before to remove the decal:
 - With a clean surface, mark the position with a non-permanent pencil.
 - With a dirty surface, mark the position with tape.
2. Remove the old passenger's QR code decal.
3. Install the new decal 406926 (28x) at the same location.
If the surface is dirty use a glass cleaner before.
4. Remove position marks.



PARTS / WASTE DISPOSAL

DO NOT RETURN THE REPLACED PARTS. Discard waste according to applicable environmental regulations (Municipal/State[Prov.]/ Federal)

WARRANTY

This modification is covered by Prevost's normal warranty. We will reimburse you the parts and one hour(s) (1.0) of labor upon receipt of a warranty claim. Please submit claim via our Online Warranty System, available at www.prevostcar.com (under Service \ Warranty section). Use Claim Type: "Bulletin/Recall" and select "Warranty Bulletin WB23-25".

OTHER

VBC Bulletin	N/A
Fail Code	18.02
Defect Code	09
Syst. Cond	B
Causal Part	406926

Access all our Service Bulletins on
<http://techpub.prevostcar.com/en/>
or scan the QR-Code with your smart phone.



Are you a Vehicle owner? E-mail us at technicalpublications_prev@volvo.com and type "ADD" in the subject to receive warranty bulletins applicable to your vehicle(s) by e-mail.