

PREVOST

WARRANTY BULLETIN

WB23-41A


DATE :	November 2023	SECTION:	06 ELECTRICAL
EXPIRATION:	November 2025		
SUBJECT:	RETIGHTEN FUSE-HOLDER NUTS F199		

Revision: A

Vehicle range change

01-18-2024

APPLICATION

NOTICE TO SERVICE CENTERS	
<i>Verify vehicle eligibility by checking warranty bulletin status with SAP or via ONLINE WARRANTY SYSTEM available on Service / Warranty tab of Prevost website.</i>	
Model	VIN 
X3-45 coaches Model Year: 2023	2PCG33490PC736925
X3-45 VIP commercial use Model Year: 2024	From 2PCCS3492RC736915 up to 2PCCS3497RC736926 incl.
X3-45 VIP motorhomes Model Year: 2024	2PCBS3498RC736932
This bulletin does not necessarily apply to all the above-mentioned vehicles, some vehicles may have been modified before delivery. The owners of the vehicles affected by this bulletin will be advised by a letter indicating the Vehicle Identification Number (VIN) of each vehicle concerned.	

DESCRIPTION

On the vehicles affected by this bulletin, retighten fuse-holder nuts F199.

MATERIAL

No material is need for this warranty bulletin.

SAFETY PRECAUTIONS

- Eye protection should always be worn when working in a shop.
- Rules for Personal Protection Equipment should always be respected. Wear your PPE including but not limited to the following:



Safety First!



PROCEDURE

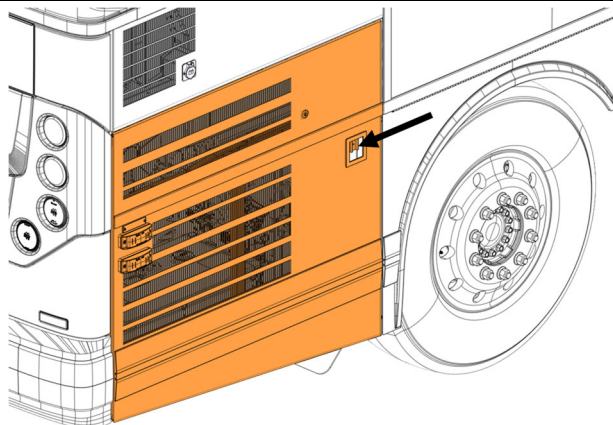


DANGER

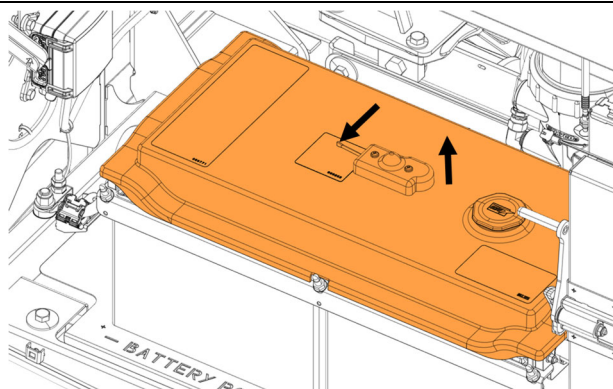
Park vehicle safely, apply parking brake, stop the engine. Prior to working on the vehicle, set the ignition switch to the OFF position and trip the main circuit breakers equipped with a trip button. On the Commuter type vehicles, set the battery master switch (master cut-out) to the OFF position.

Lockout & Tag out (LOTO) must be performed during set-up, maintenance or repair activities. Refer to your local procedure for detailed information regarding the control of hazardous energy.

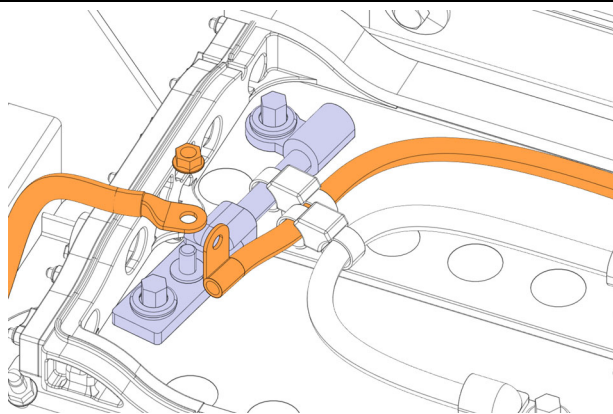
1. Open compressor door.



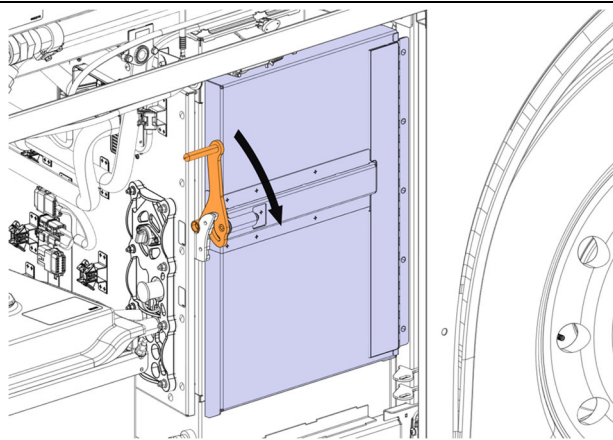
2. Remove battery cover.



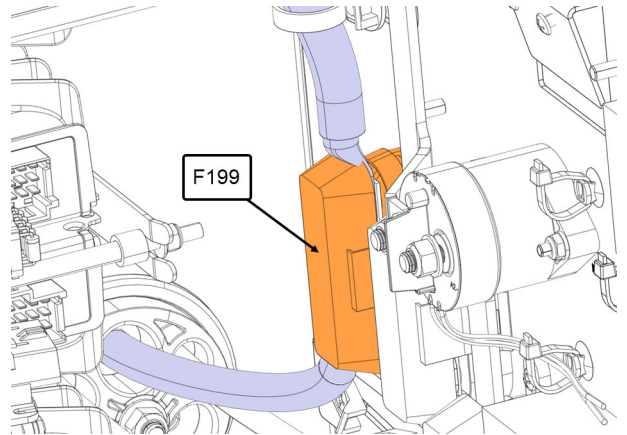
3. Disconnect battery ground.



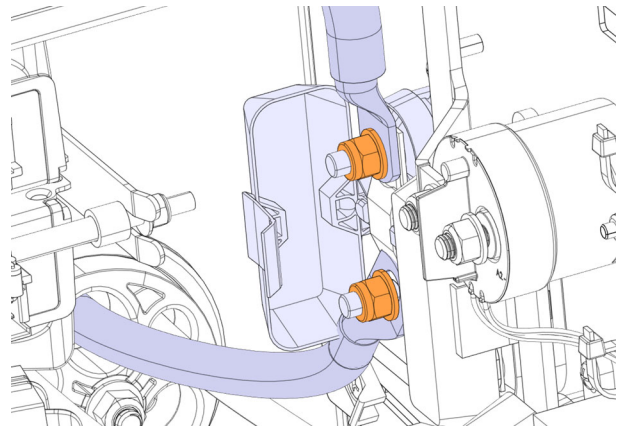
4. Open rear junction box.



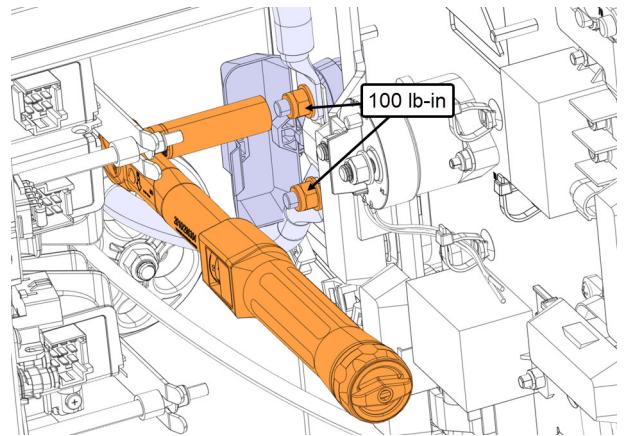
5. Locate fuse holder F199 inside rear junction box.



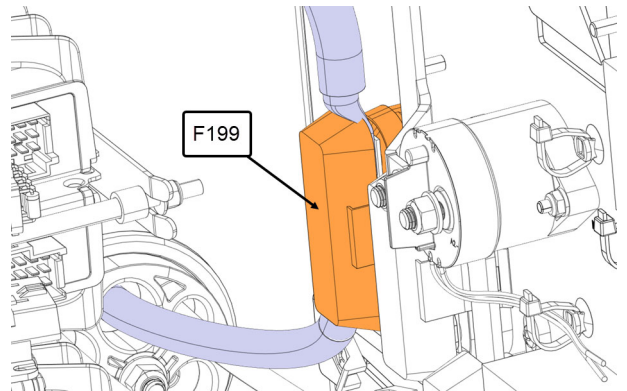
6. Open the fuse holder.



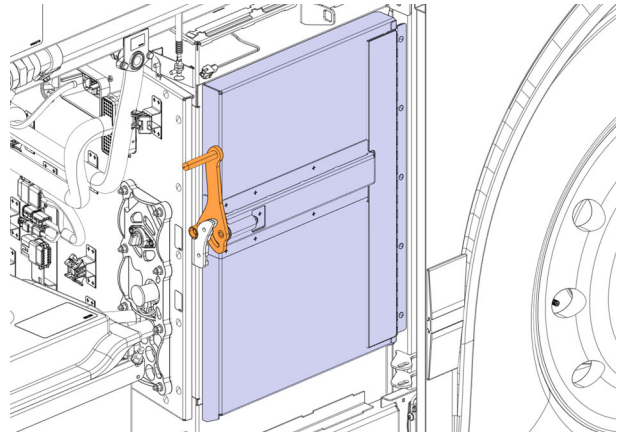
7. Loosen nuts before retightening.
8. Retighten nuts inside the fuse holder to a torque of **100lb-in**.
9. Applied torque seal on nuts.



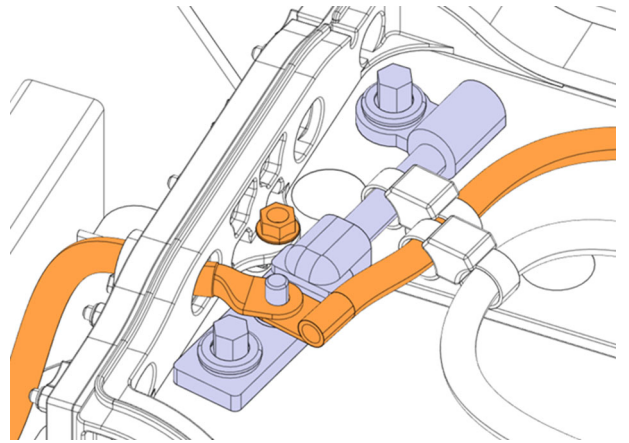
10. Close fuse holder F199.



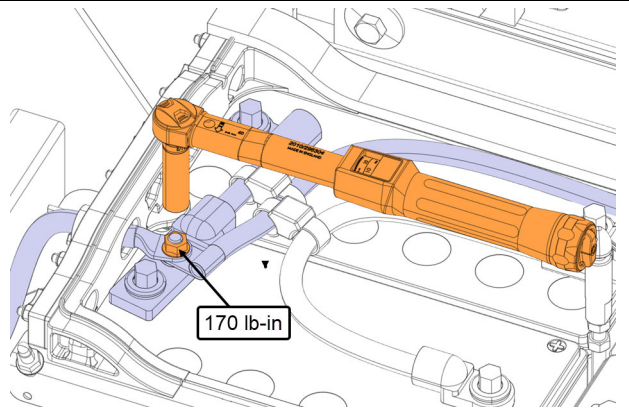
11. Close rear junction box door.



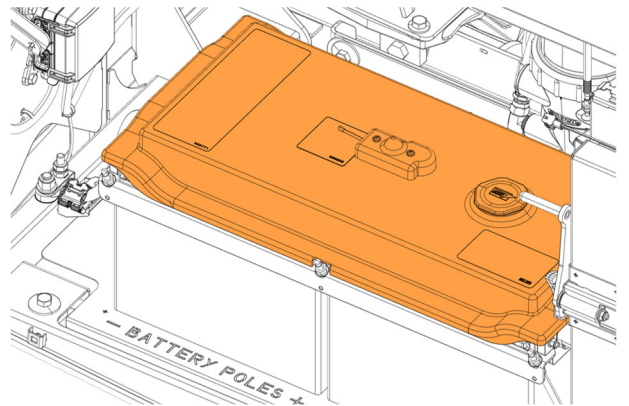
12. Reconnect battery ground.



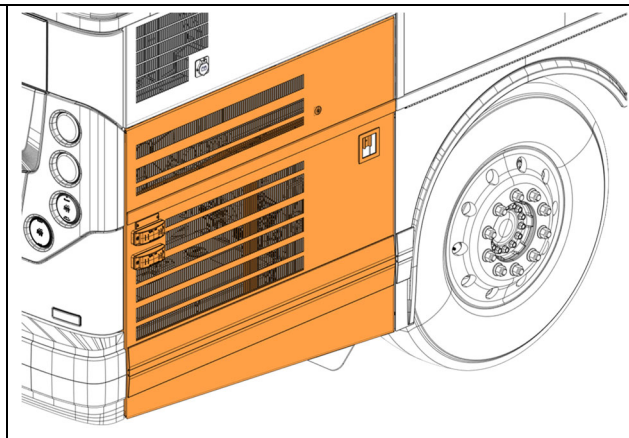
13. Tighten the nut to **170lb-in.**



14. Reinstall battery cover.



15. Close compressor door.



WARRANTY

This modification is covered by Prevo's normal warranty. We will reimburse you ½ hour (0.5) of labor upon receipt of a warranty claim. Please submit claim via our Online Warranty System, available at www.prevo.com (under Service \ Warranty section). Use Claim Type: "Bulletin/Recall" and select "Warranty Bulletin WB23-41A".

OTHER

VBC Bulletin	N/A
Fail Code	06.15
Defect Code	09
Syst. Cond	B
Causal Part	563750

Access all our Service Bulletins on
<http://techpub.prevo.com/en/>
or scan the QR-Code with your smart phone.



Are you a Vehicle owner? E-mail us at technicalpublications_prev@volvo.com and type "ADD" in the subject to receive warranty bulletins applicable to your vehicle(s) by e-mail.