



SAFETY RECALL


SR24-05

DATE :	January 2024	SECTION :	06 ELECTRICAL
SUBJECT:	RETIGHTEN FUSE-HOLDER NUTS F199		

First Release

01-18-2024

APPLICATION

NOTICE TO SERVICE CENTERS	
<i>Verify vehicle eligibility by checking warranty bulletin status with SAP or via ONLINE WARRANTY SYSTEM available on Service / Warranty tab of PreVost website.</i>	
Model	VIN
X3-45 VIP commercial use Model Year: 2024	 <p>From 2PCCS3497<u>R</u>C736912 up to 2PCCS349X<u>R</u>C736936 incl.</p>
This Safety Recall does not necessarily apply to all the above-mentioned vehicles. Some vehicles may also have been modified before delivery. The owners of the vehicles affected by this recall will be advised by a letter indicating the Vehicle Identification Number (VIN) of each vehicle concerned.	

DESCRIPTION

On vehicles affected by this recall, retighten fuse-holder nuts F199.

MATERIAL

No material is need for this safety recall.

SAFETY PRECAUTIONS

- Eye protection should always be worn when working in a shop.
- Rules for Personal Protection Equipment should always be respected. Wear your PPE including but not limited to the following:



Safety First!



PROCEDURE

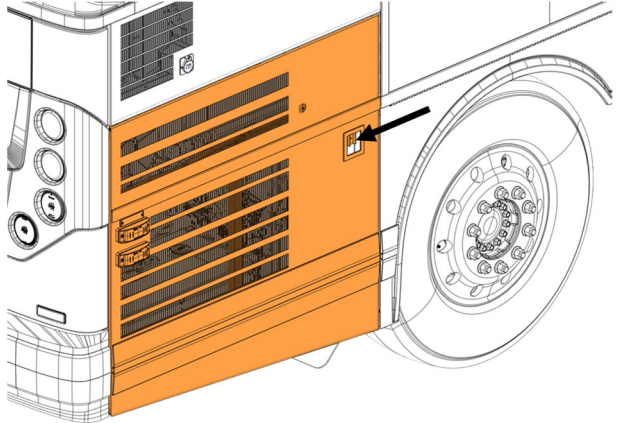


DANGER

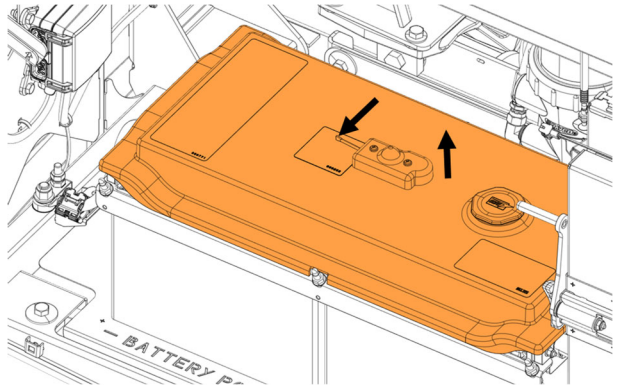
Park vehicle safely, apply parking brake, stop the engine. Prior to working on the vehicle, set the ignition switch to the OFF position and trip the main circuit breakers equipped with a trip button. On Commuter type vehicles, set the battery master switch (master cut-out) to the OFF position.

Lockout & Tag out (LOTO) must be performed during set-up, maintenance or repair activities. Refer to your local procedure for detailed information regarding the control of hazardous energy.

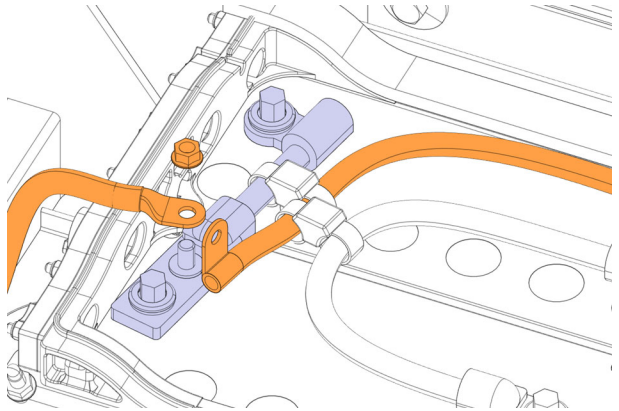
1. Open compressor door.



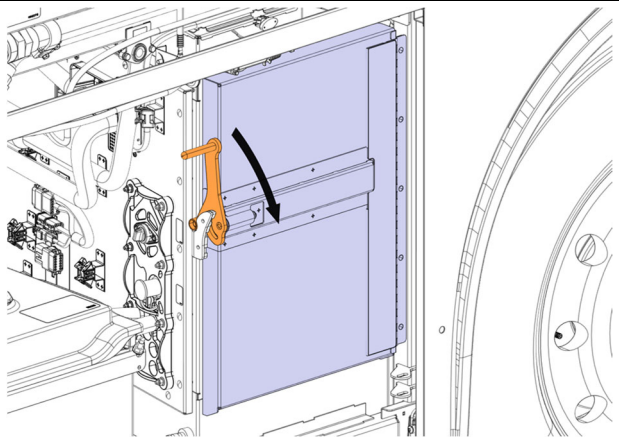
2. Remove battery cover.



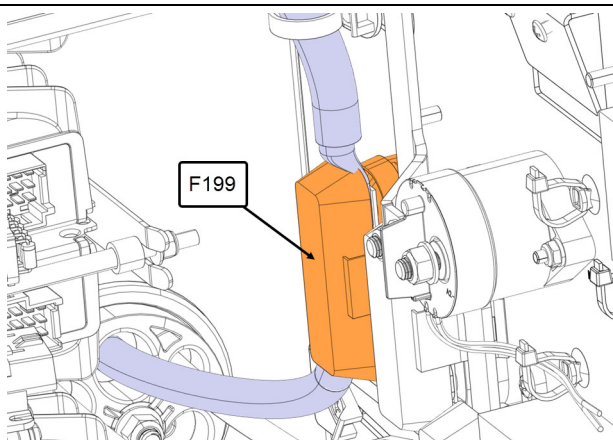
3. Disconnect battery ground.



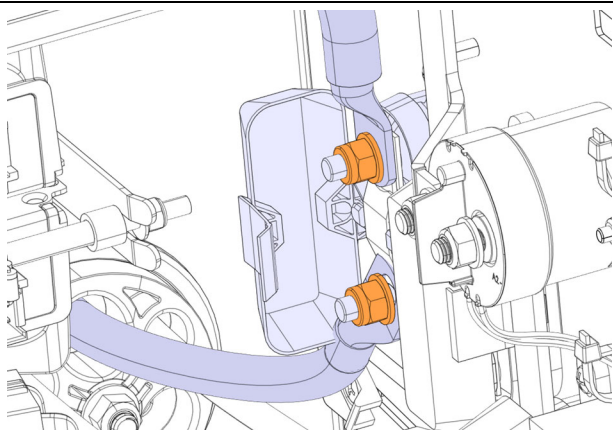
4. Open rear junction box.



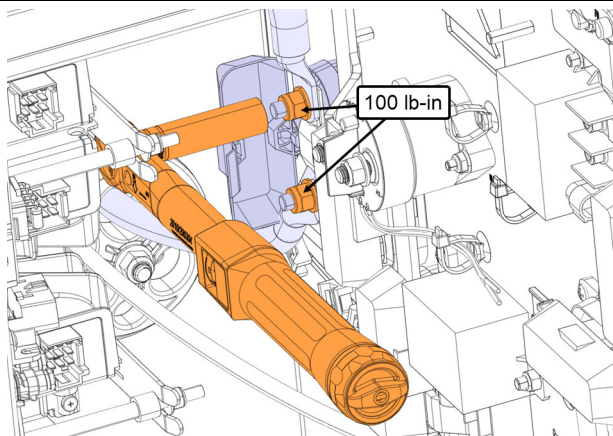
5. Locate fuse holder F199 inside rear junction box.



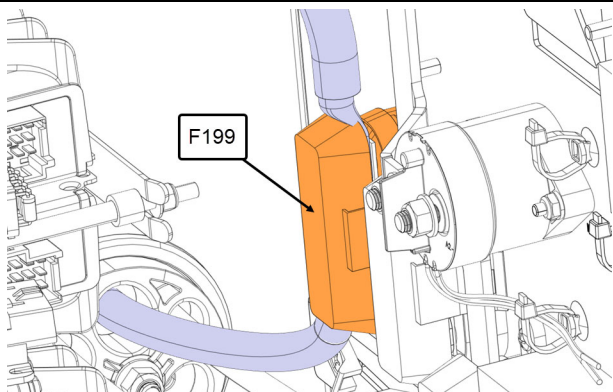
6. Open the fuse holder.



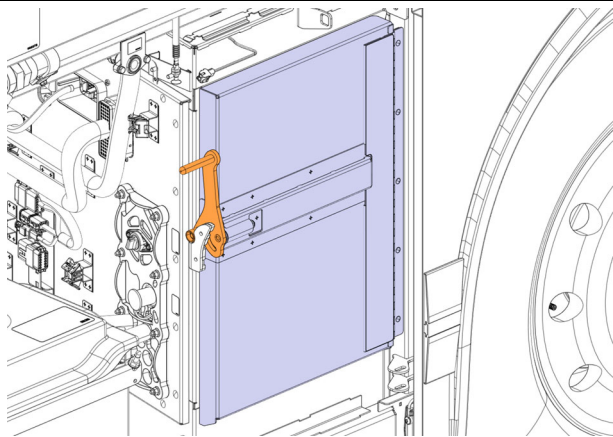
7. Loosen nuts before retightening.
8. Retighten nuts inside the fuse holder to a torque of **100lb-in**.
9. Applied torque seal on nuts.



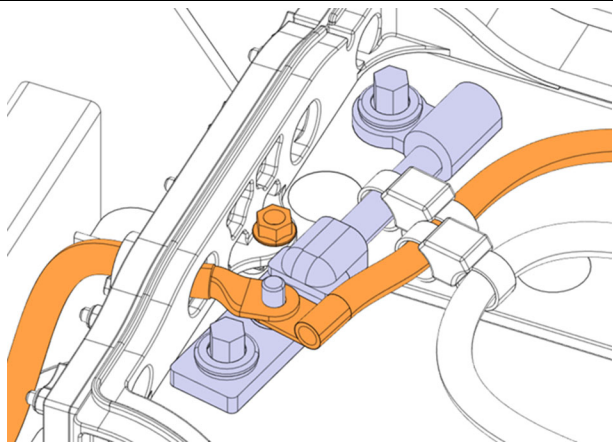
10. Close fuse holder F199.



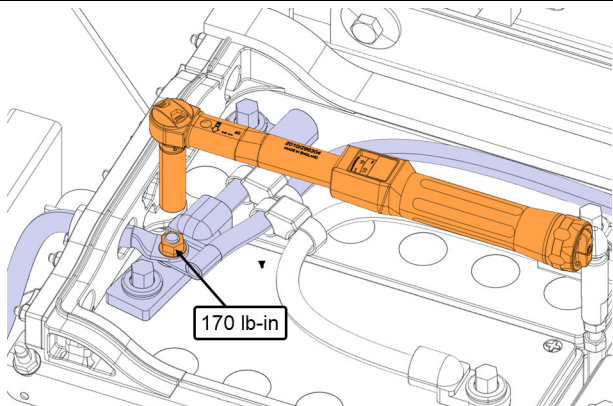
11. Close rear junction box door.



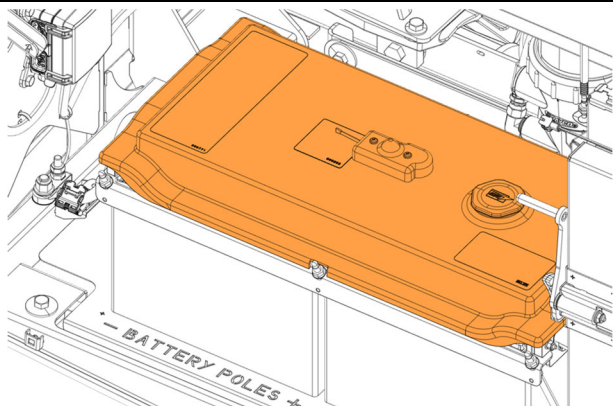
12. Reconnect battery ground.



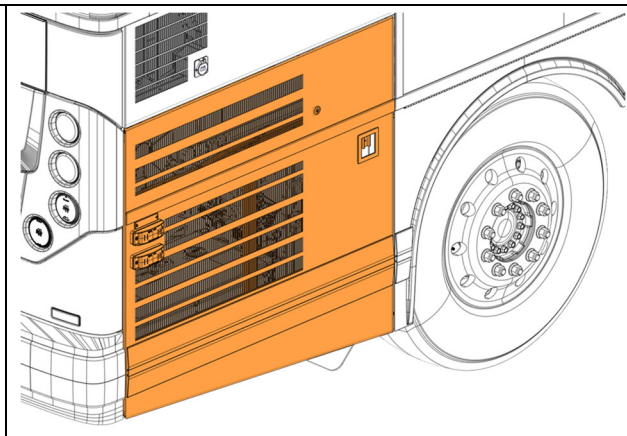
13. Tighten the nut to **170lb-in.**



14. Reinstall battery cover.



15. Close compressor door.



PARTS DISPOSITION

DO NOT RETURN THE REPLACED PARTS. Discard waste according to applicable environmental regulations (Municipal/State[Prov.]/ Federal)

WARRANTY

This modification is covered by Prevost's normal warranty. We will reimburse you the parts and ½ hour (0.5) of labor upon receipt of a completed A.F.A. Please submit claim via our Online Warranty System, available at www.prevostcar.com (under service \ warranty section). Use Claim Type: "Bulletin/Recall" and select "Safety Recall SR24-05".

Should you only wish to close the safety recall (without reimbursement), fill-in the "Safety Recall Certification Sheet" provided with this bulletin and return it to our warranty department by Email at prevost.warranty@volvo.com or by fax at 418-831-9301.

OTHER

VBC Bulletin	N/A
Fail Code	06.15
Defect Code	09
Syst.Cond	R
Causal Part	563750

Access all our Service Bulletins on <http://techpub.prevostcar.com/en/> or scan the QR-Code with your smart phone.
E-mail us at technicalpublications_prev@volvo.com and type "ADD" in the subject to receive our warranty bulletins by e-mail.



