

# PREVOST

## WARRANTY BULLETIN


**WB24-06**

DATE :	February 2024	SECTION :	23 ACCESSORIES
EXPIRATION:	February 2026		
SUBJECT :	<b>ADD PROTECTION TO THE TOILET FAN WIRING</b>		

First Release

02-08-2024

### APPLICATION

<b>NOTICE TO SERVICE CENTERS</b> <i>Verify vehicle eligibility by checking warranty bulletin status with <b>SAP</b> or via <b>ONLINE WARRANTY SYSTEM</b> available on Service / Warranty tab of Prevost website.</i>	
Model	VIN 
H3-45 coaches Model Year: 2024	From 2PCH33493RC721455 up to 2PCH33493RC721553 incl.
<p>This bulletin does not necessarily apply to all the above-mentioned vehicles, some vehicles may have been modified before delivery. The owners of the vehicles affected by this bulletin will be advised by a letter indicating the Vehicle Identification Number (VIN) of each vehicle concerned.</p>	

### DESCRIPTION

On the vehicles affected by this bulletin, the toilet fan wiring may not be protected.

### MATERIAL

Order kit **WB24-06** which contains the following parts:

Part No	Description	Qty
562387	CONVOLUTED .250ID BLACK SLITTED 150C (300mm) 	1
504016	CABLE TIE, NYLON BLACK 	1

Other parts that may be required:

Part No.	Description	Qty
564099	CLOTH TAPE, PROTECTOR, 150°C - BLACK	AR

***NOTE***

*Material can be obtained through regular channels.*

## SAFETY PRECAUTIONS

- Eye protection should always be worn when working in a shop.
- Rules for Personal Protection Equipment should always be respected. Wear your PPE including but not limited to the following:



# Safety First!



## PROCEDURE

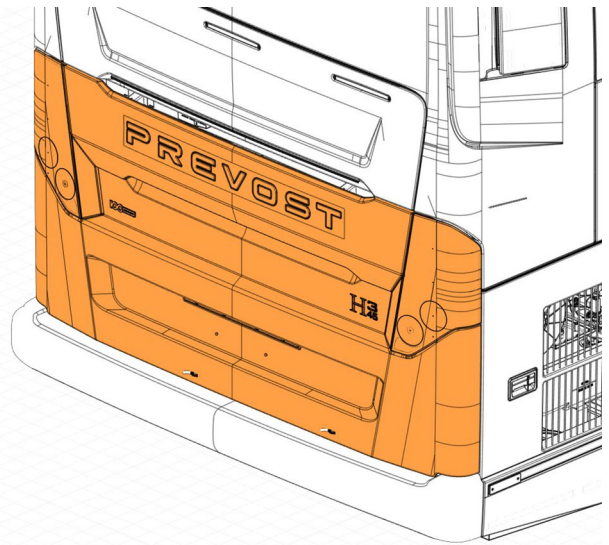


**DANGER**

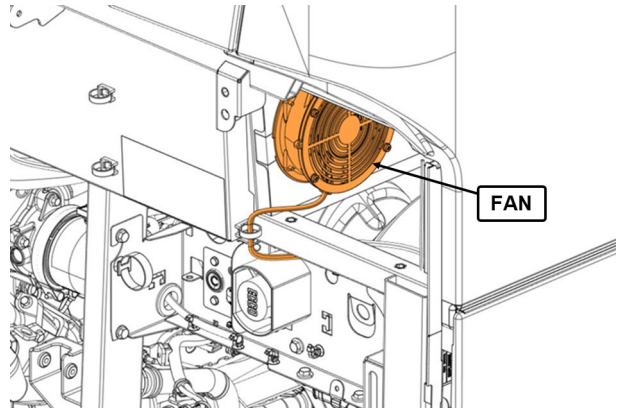
Park vehicle safely, apply parking brake, stop the engine. Prior to working on the vehicle, set the ignition switch to the OFF position and trip the main circuit breakers equipped with a trip button. On the Commuter type vehicles, set the battery master switch (master cut-out) to the OFF position.

Lockout & Tag out (LOTO) must be performed during set-up, maintenance or repair activities. Refer to your local procedure for detailed information regarding the control of hazardous energy.

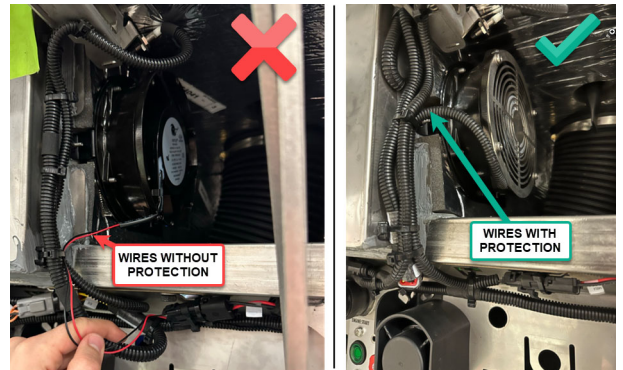
1. Open rear engine door.



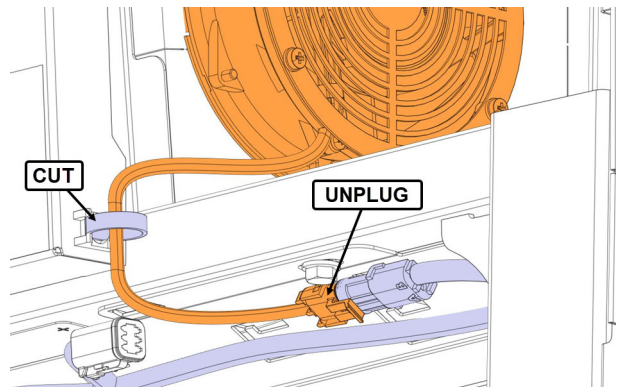
2. Locate the toilet fan at the top right of the engine compartment.



3. Verify if the toilet fan wiring has protection.  
- If no, go to the next step.  
- If yes, the bulletin is finished and close the engine door compartment.



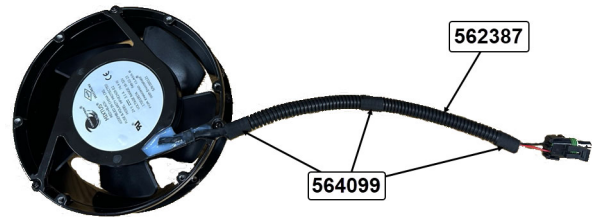
4. Unplug the toilet fan and cut the tie wrap.



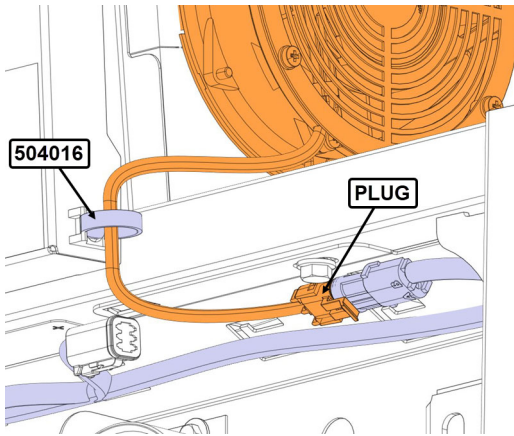
5. Wrap wires together up to 10mm before the connector with cloth tape 564099.



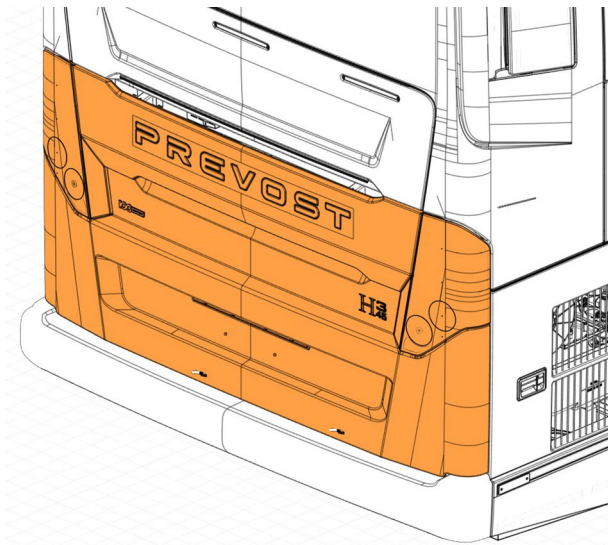
6. Cut a length of 275mm of convoluted conduit 562387.  
7. Wrap with the convoluted conduit 562387.  
8. Wrap both ends and center of the convoluted conduit with cloth tape 564099.



9. Plug the toilet fan and secure cables with the tie wrap 504016 (1x).



10. Close rear engine door.



## PARTS / WASTE DISPOSAL

DO NOT RETURN THE REPLACED PARTS. Discard waste according to applicable environmental regulations (Municipal/State[Prov.]/ Federal)

## WARRANTY

This modification is covered by Prevo's normal warranty. We will reimburse you the parts and ¼ hour(s) (0.25) of labor upon receipt of a warranty claim. Please submit claim via our Online Warranty System, available at [www.prevostcar.com](http://www.prevostcar.com) (under Service \ Warranty section). Use Claim Type: "Bulletin/Recall" and select "Warranty Bulletin WB24-06".

## OTHER

VBC Bulletin	N/A
Fail Code	23.09
Defect Code	09
Syst. Cond	B
Causal Part	950707

Access all our Service Bulletins on  
<http://techpub.prevostcar.com/en/>  
or scan the QR-Code with your smart phone.



**Are you a Vehicle owner?** E-mail us at  
***technicalpublications\_prev@volvo.com*** and type "ADD" in the  
subject to receive warranty bulletins applicable to your vehicle(s)  
by e-mail.