

PREVOST

WARRANTY BULLETIN


WB24-09

DATE :	March 2022	SECTION :	23 ACCESSORIES
EXPIRATION:	March 2024		
SUBJECT :	ELECTRONIC MIRROR LENS CLEANING SYSTEM INSPECTION		

First Release

03-07-2024

APPLICATION


NOTICE TO SERVICE CENTERS <i>Verify vehicle eligibility by checking warranty bulletin status with SAP or via ONLINE WARRANTY SYSTEM available on Service / Warranty tab of Prevost website.</i>	
Model	VIN
H3-45 coaches Model Year: 2023	 2PCH33490PC721359
H3-45 VIP motorhomes Model Year: 2023	2PCVS3498PC721356 2PCVS3491PC721408 2PCVS3492PC721420 2PCVS349XPC721424 2PCVS3497PC721428 2PCVS3498PC721440.
This bulletin does not necessarily apply to all the above-mentioned vehicles, some vehicles may have been modified before delivery. The owners of the vehicles affected by this bulletin will be advised by a letter indicating the Vehicle Identification Number (VIN) of each vehicle concerned.	

DESCRIPTION


On the vehicles affected by this bulletin, the electronic mirror lens air-cleaning system may not work.

MATERIAL



Order kit **WB24-09-1** which contains the right camera only:

Part No	Description	Qty
901814	CAMERA RIGHT E-MIRROR 	1

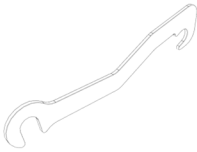
Order kit **WB24-09-2** which contains the left camera only:

Part No	Description	Qty
901812	CAMERA LEFT E-MIRROR 	1

Order kit **WB24-09-3** which contains both cameras:

Part No	Description	Qty
901814	CAMERA RIGHT E-MIRROR 	1
901812	CAMERA LEFT E-MIRROR 	1

Other parts that may be required:

Part No	Description	Qty
492178	SPACER 	AR

NOTE

Material can be obtained through regular channels.

SAFETY PRECAUTIONS

- Eye protection should always be worn when working in a shop.
- Rules for Personal Protection Equipment should always be respected. Wear your PPE including but not limited to the following:



Safety First!



PROCEDURE



DANGER

Park vehicle safely, apply parking brake, stop the engine. Prior to working on the vehicle, set the ignition switch to the OFF position and trip the main circuit breakers equipped with a trip button. On the Commuter type vehicles, set the battery master switch (master cut-out) to the OFF position.

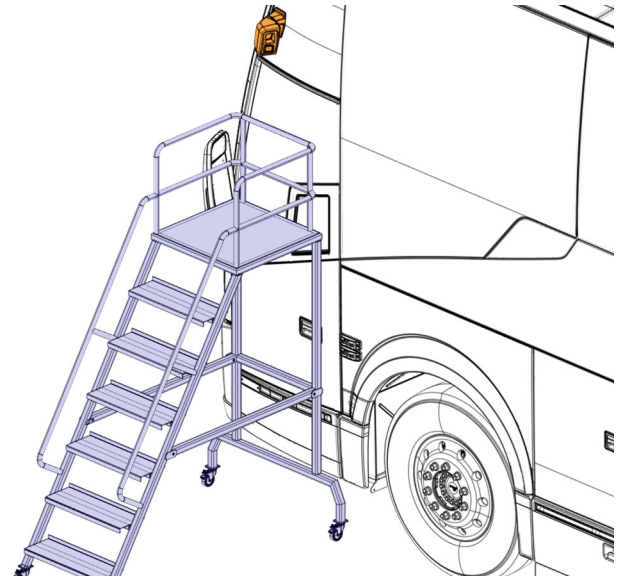
Lockout & Tag out (LOTO) must be performed during set-up, maintenance or repair activities. Refer to your local procedure for detailed information regarding the control of hazardous energy.

NOTE

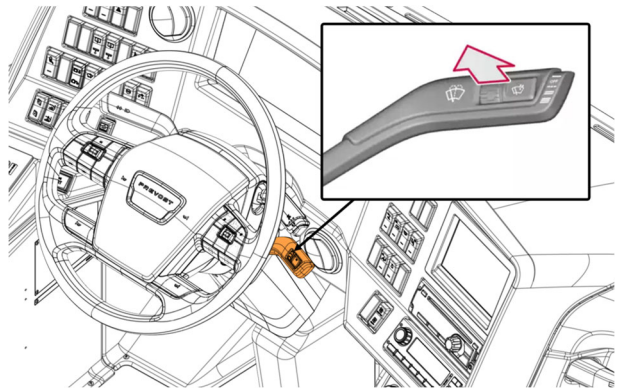
To perform this warranty bulletin, you must be two people.

CHECK CLEANING SYSTEM STREET SIDE CAMERA

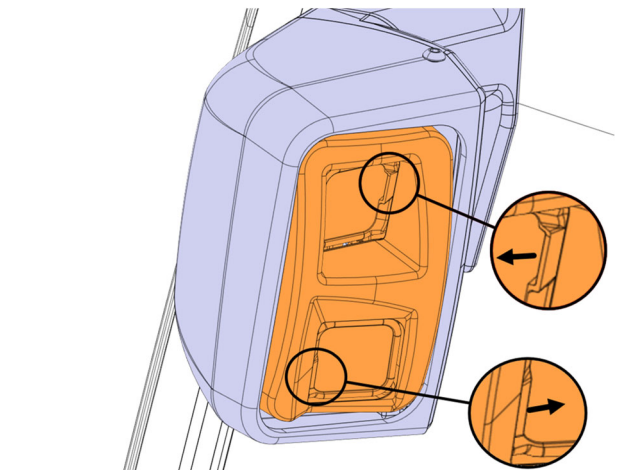
1. Use a ladder to be able reach the electronic mirror camera.



2. Pull the hand lever towards you to start the windscreen washer and the air cleaning system for the electronic mirror camera lens.

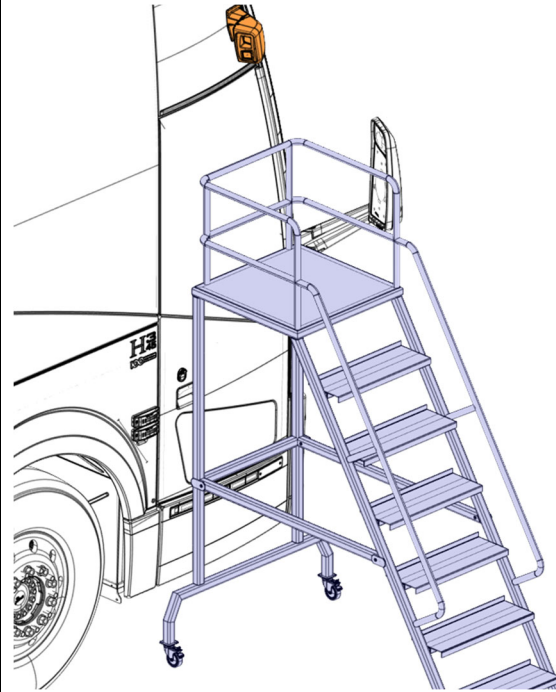


3. Check with a finger that air is coming out of the outlets as shown in the picture.
 - If yes, this is ok.
 - If no, go to **“REPLACEMENT OF LEFT CAMERA”**

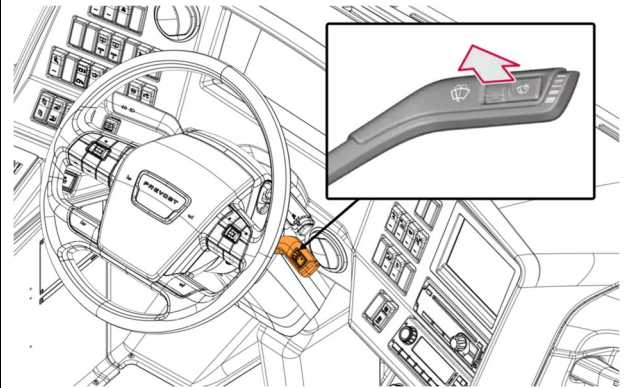


CHECK CLEANING SYSTEM CURBSIDE CAMERA

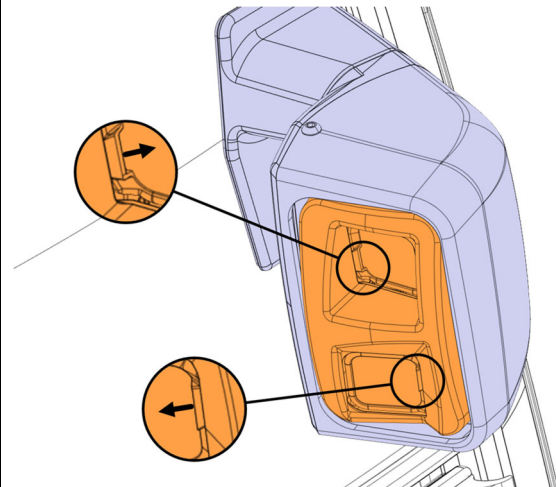
4. Use a ladder to be able to reach the electronic mirror camera.



5. Pull the hand lever towards you to start the windscreen washer and the air cleaning system for the electronic mirror camera lens.

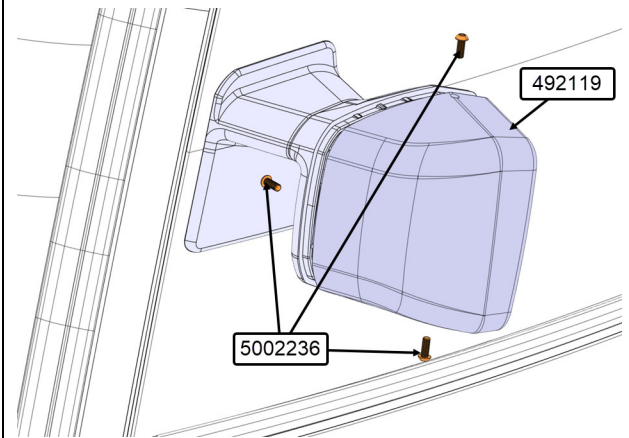


6. Check with a finger that air is coming out of the outlets as shown in the picture.
- If yes, this is ok.
 - If no, go to **“REPLACEMENT OF RIGHT CAMERA”**.

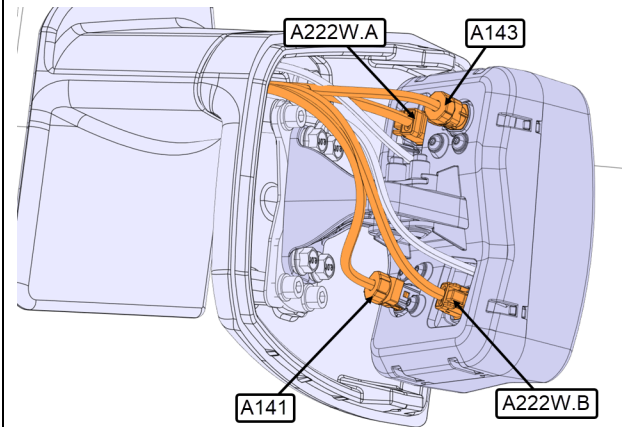


REPLACEMENT OF LEFT CAMERA

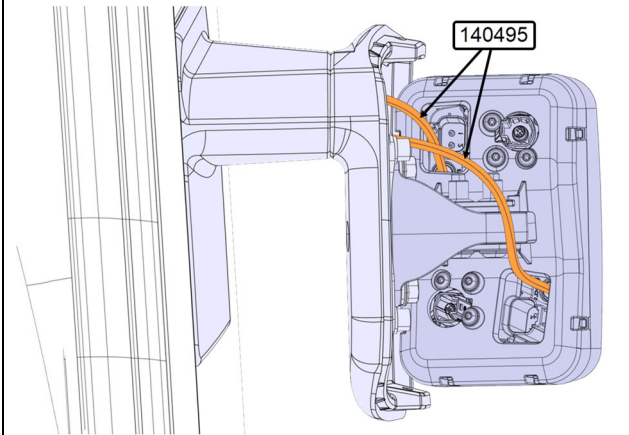
1. Remove the cover 492119 and screws 5002236 (3x).



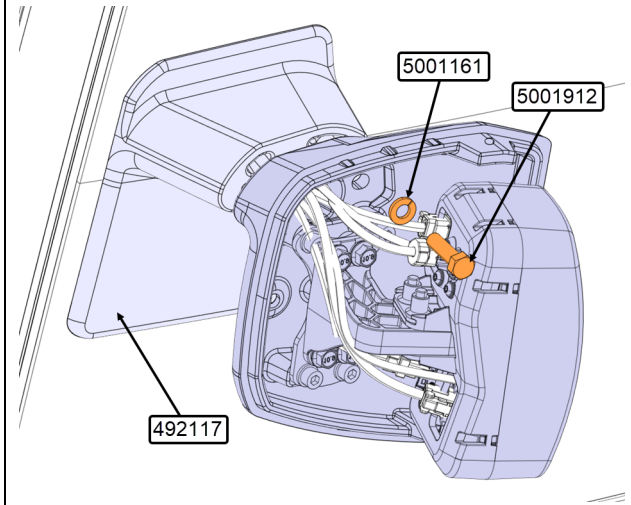
2. Disconnect the harness 0610486 from camera 901812.



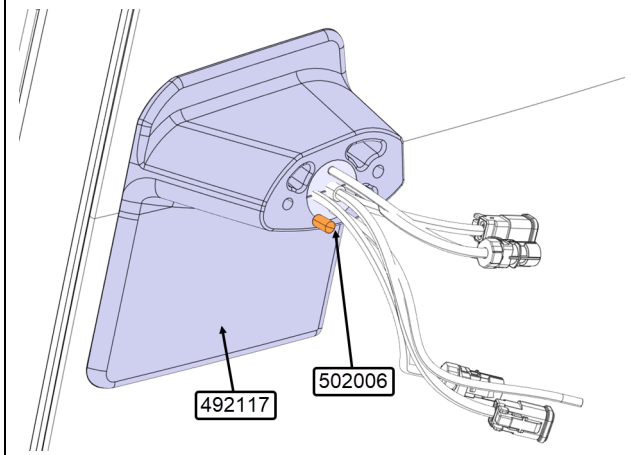
3. Disconnect air hoses 140495 (2x) from the camera.



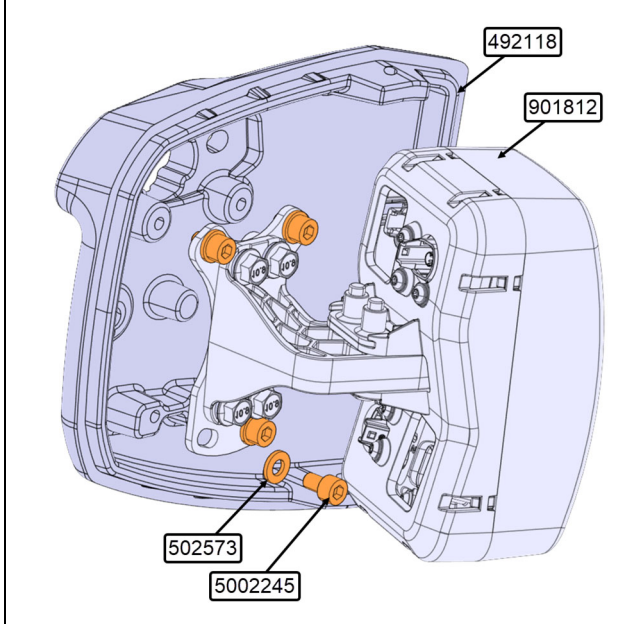
4. Remove camera assembly from the base 492117 and the screw 5001912 (1x) and the lock washer 5001161 (1x).



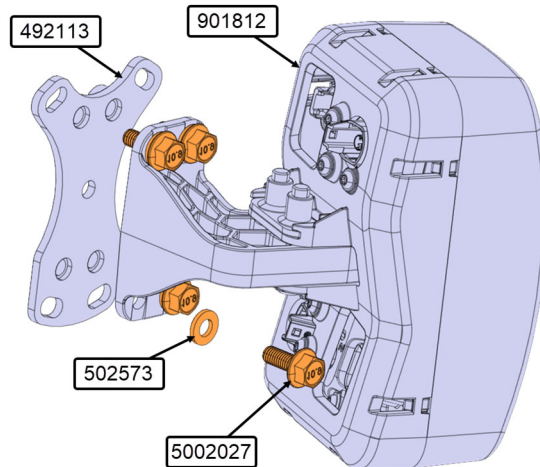
5. Remove the pin 502006 (1x) from the base 492117.



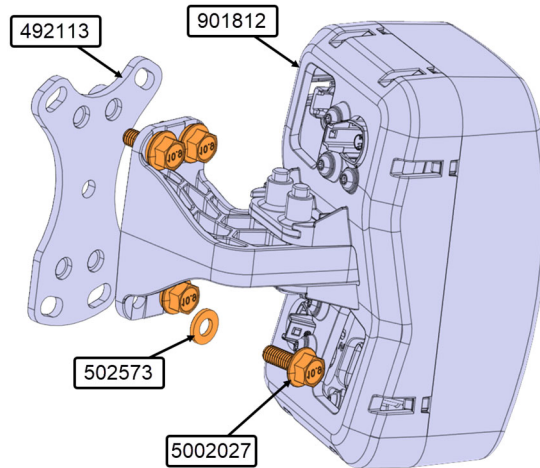
6. Remove the camera assembly 901812 from the support 492118 and screws 5002245 (4x) and flat washers 502573 (4x).



7. Remove the camera 901812 from the plate 492113 and screws 5002027 (4x) and flat washers 502573 (4x).

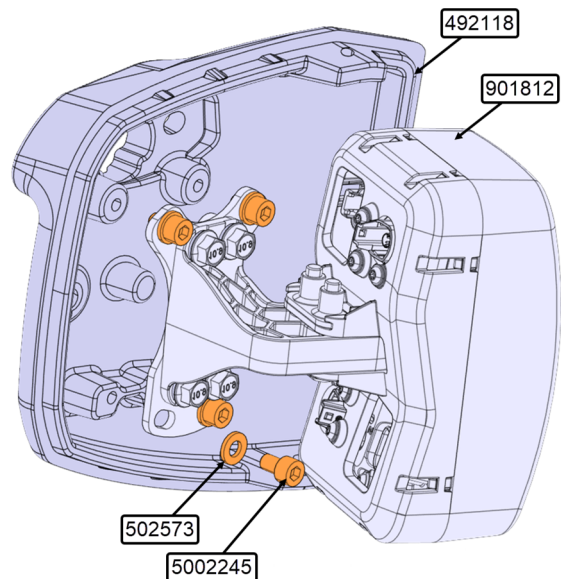


8. Reinstall the new camera 901812 to the plate 492113 with screws 5002027 (4x) and flat washers 502573 (4x).
9. Torque to 80 lb-in.

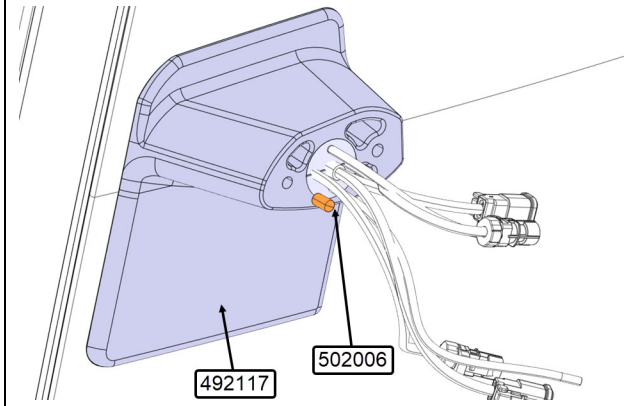


10. Reinstall the camera assembly 901812 on the support 492118 with screws 5002245 (4x) and flat washers 502573 (4x).

Note: Tighten so that the camera cannot move.

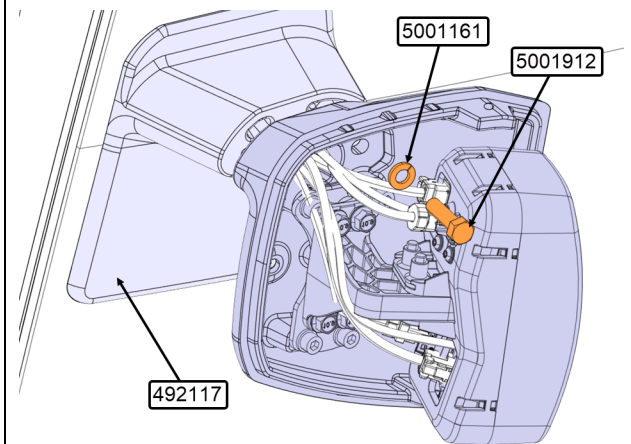


11. Reinstall the pin 502006 (1x) on the base 492117.

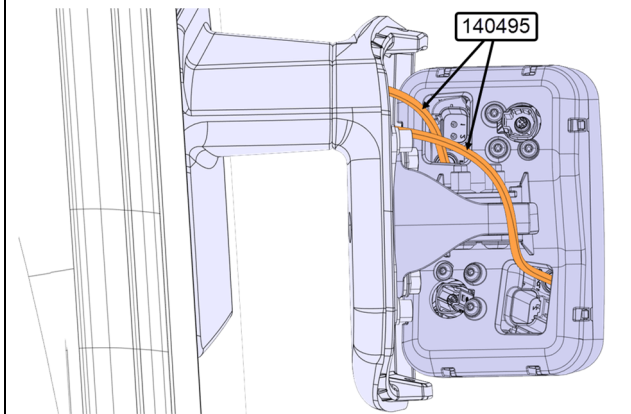


12. Reinstall the camera assembly on base 492117 with the screw 5001912 (1x) and the lock washer 5001161 (1x).

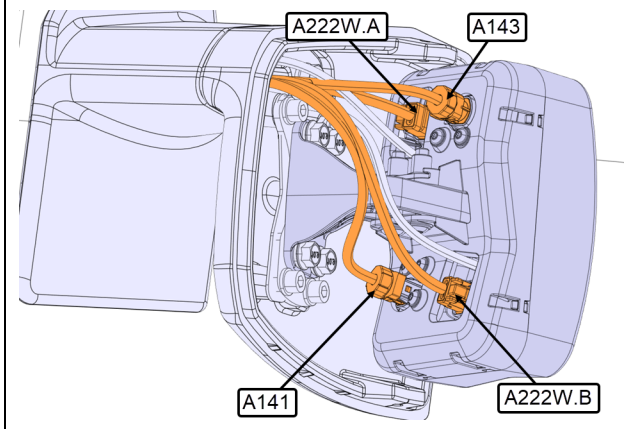
13. Torque to 14 lb-ft.



14. Connect air hoses 140495 (2x) to the camera.

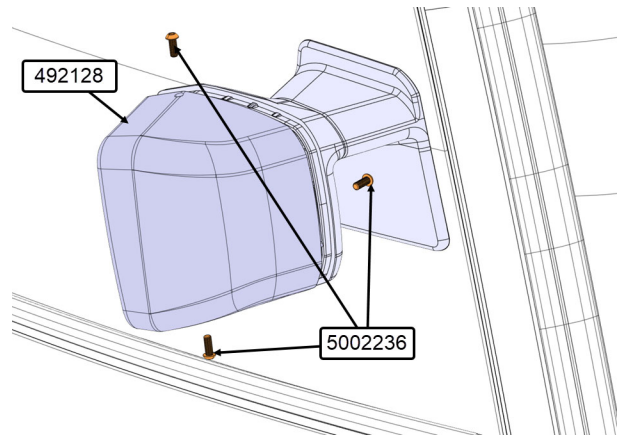


15. Plug the harness 0610486 to the camera 901812.

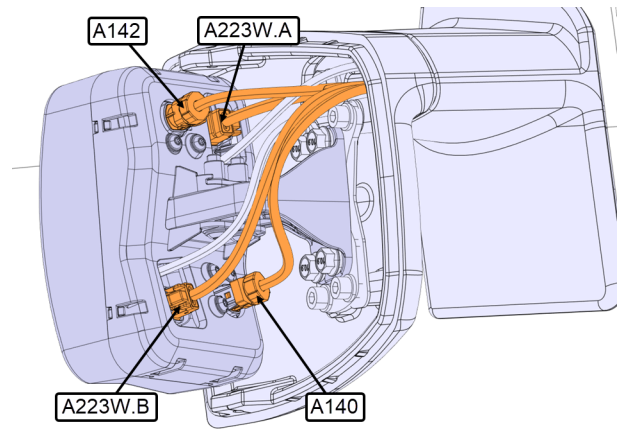


REPLACEMENT OF RIGHT CAMERA

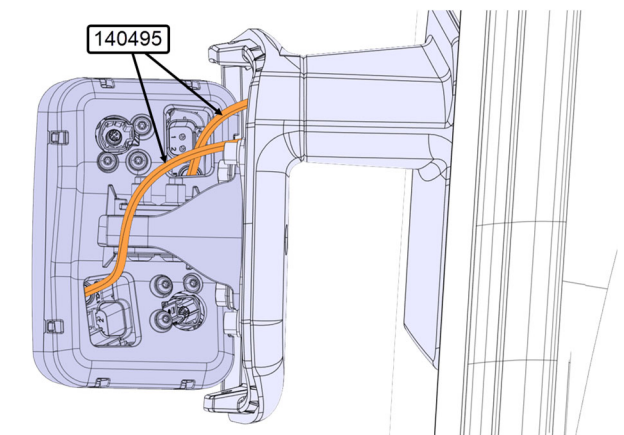
1. Remove right cover 492128 and screws 5002236 (3x).



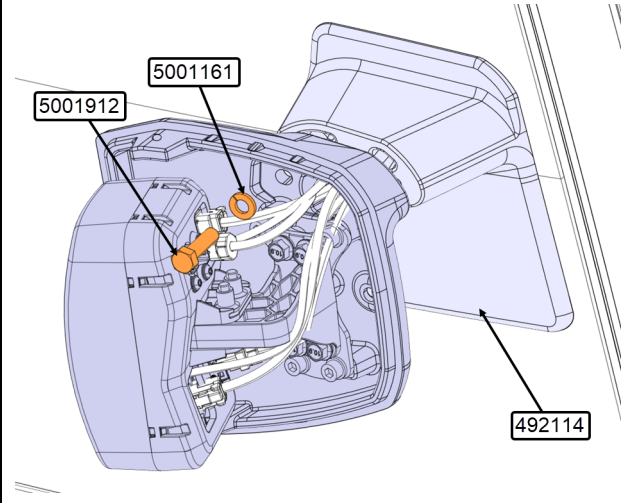
2. Disconnect the harness 0610486 from camera 901814.



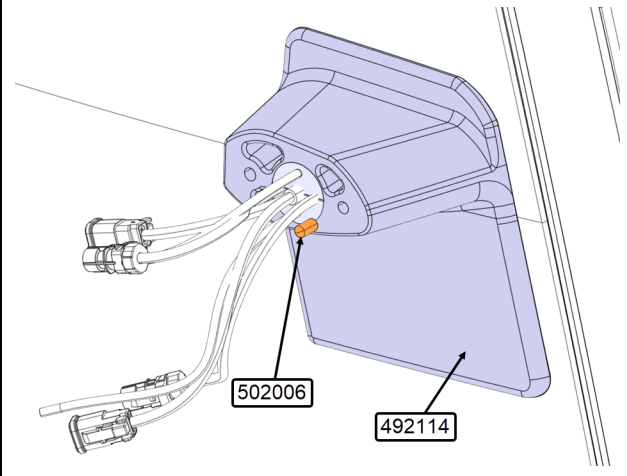
3. Disconnect air hoses 140495 (2x) from the camera.



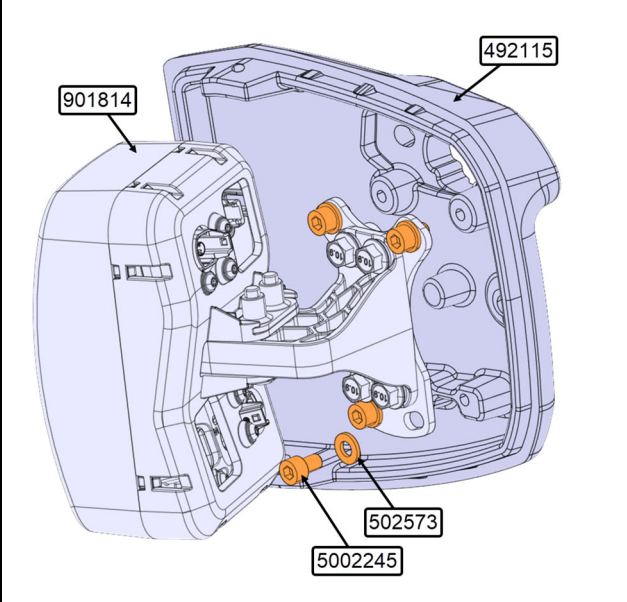
4. Remove the camera assembly from the base 492114 and the screw 5001912 (1x) and the lock washer 5001161 (1x).



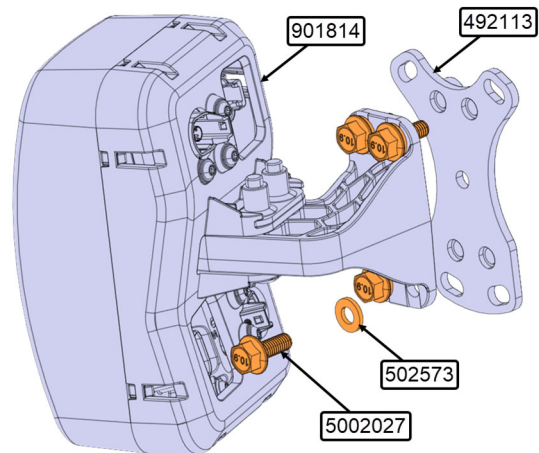
5. Remove the pin 502006 from the base 492114.



6. Remove the camera assembly 901814 from the support 492115 and screws 5002245 (4x) and flat washers 502573 (4x).

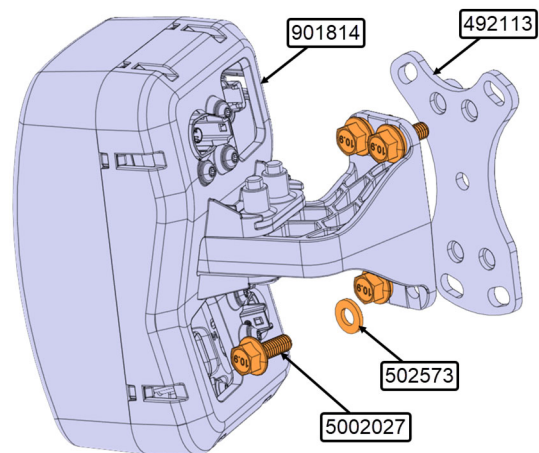


7. Remove the camera 901814 from the plate 492113 and screws 5002027 (4x) and flat washers 502573 (4x).



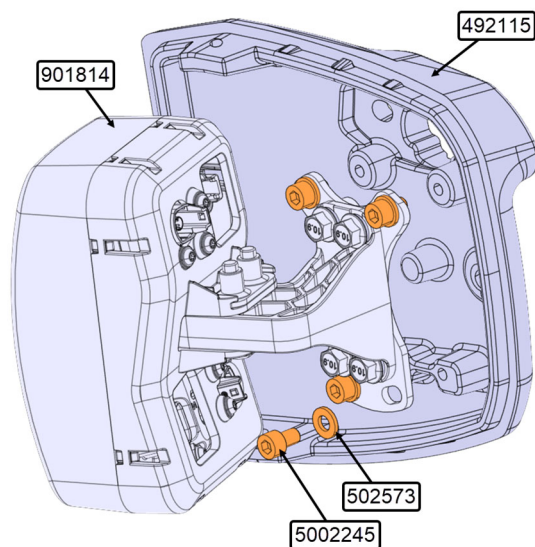
8. Reinstall the new camera 901814 to the plate 492113 with screws 5002027 (4x) and flat washers 502573 (4x).

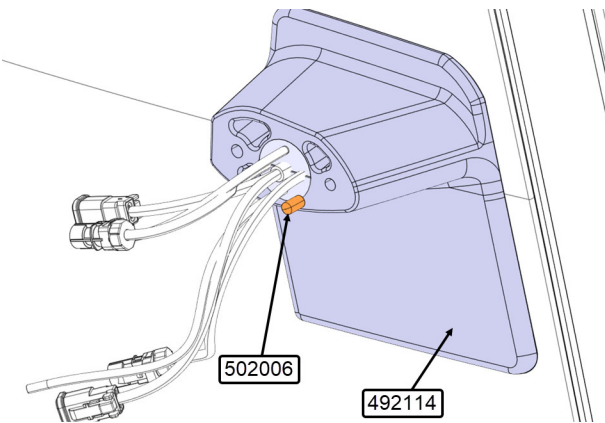
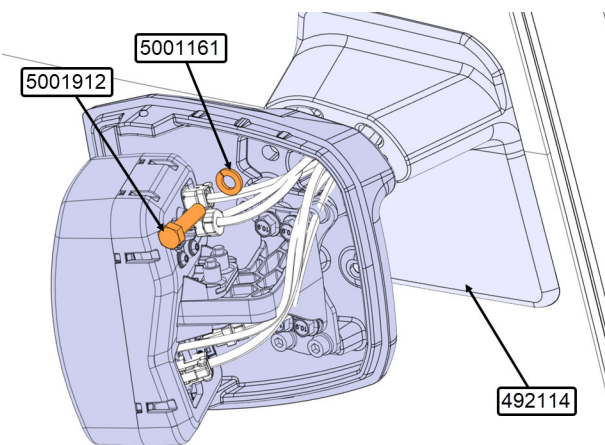
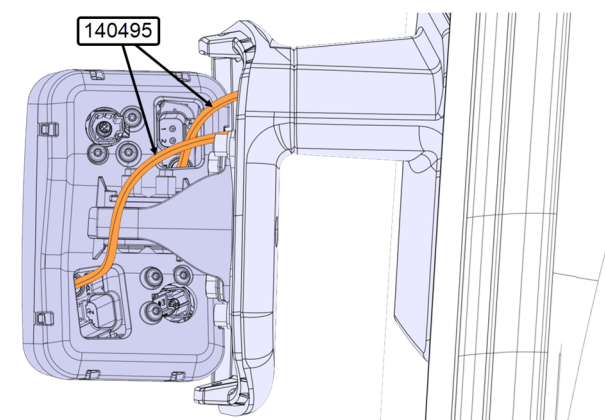
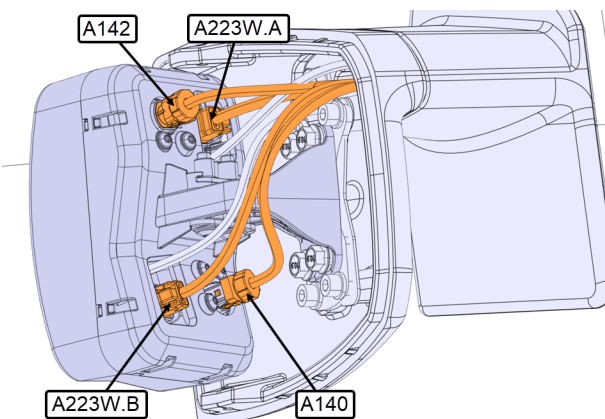
9. Torque to 80 lb-in.



10. Reinstall the camera assembly 901814 on the support 492115 with screws 5002245 (4x) and flat washers 502573 (4x).

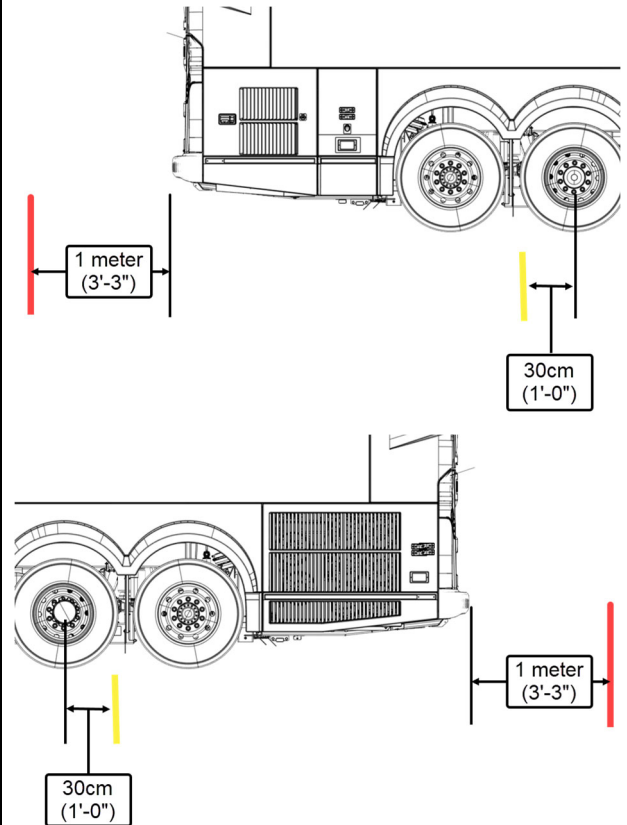
Note: Tighten so that the camera cannot move.



<p>11. Reinstall the pin 502006 on the base 492114.</p>	
<p>12. Reinstall the camera assembly on the base 492114 with the screw 5001912 (1x) and the lock washer 5001161 (1x). 13. Torque to 14 lb-ft.</p>	
<p>14. Connect air hoses 140495 (2x) to the camera.</p>	
<p>15. Plug the harness 0610486 to the camera 901814.</p>	

CAMERA ALIGNMENT

1. Install a reference point 30 centimeter (1 foot) behind the center of the axle on both sides of the vehicle.
2. Install a reference point 1 meter (3 feet and 3 inches) behind the end of the vehicle on both sides of the vehicle.



3. Y adjustment (width)

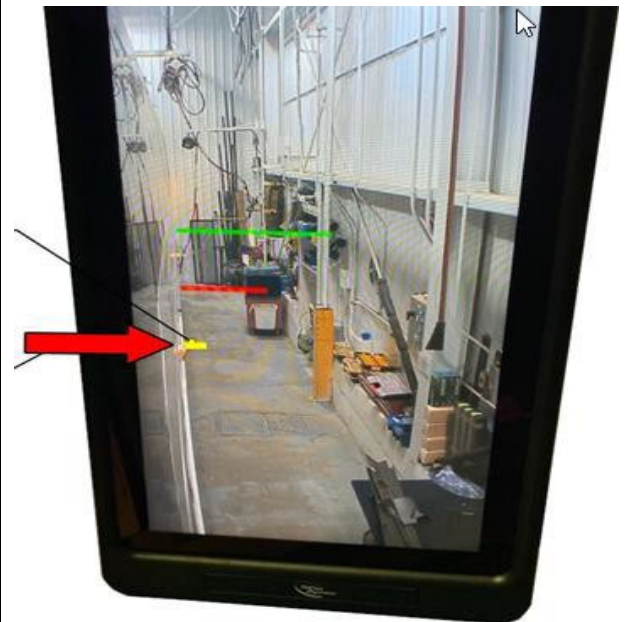
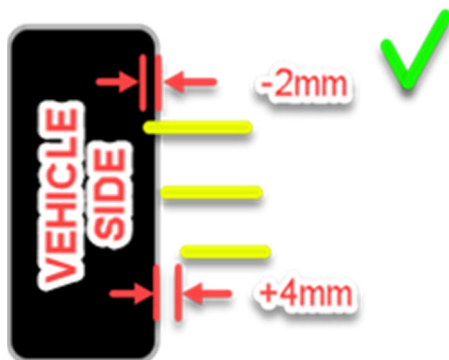
The beginning of the yellow line touches on the side of the vehicle.

Tolerances

The yellow line may interfere with the side of the vehicle by 2mm and may not touch it by 4mm.

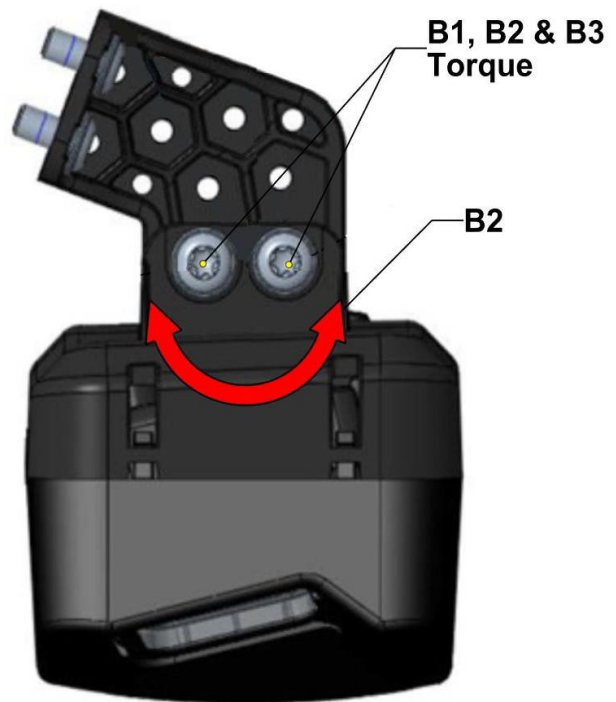
- If the measurement is not acceptable, go to the next step.

If the measurement is OK, go to step 13.



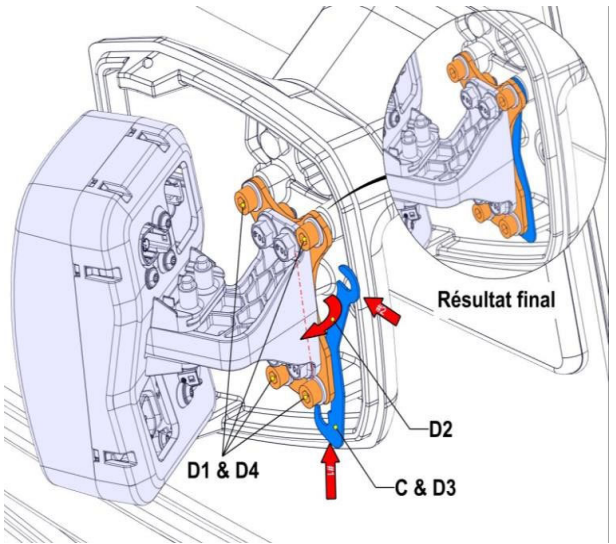
If the measurement is not acceptable but is within 1 to 1.5 mm of tolerance, you can try this:

4. Slightly unscrew the bolts holding the camera.
5. Rotate the camera to the side required for adjustment to take up the (minimal) play between the bolts and the plastic parts.
6. Tighten bolts, maintaining pressure on the required side.
7. Torque bolts to 88 lb-in
8. Revalidate the measurement at point 3.
 - If the measurement is not acceptable, go to the next step.
 - If the measurement is OK, go to step 13.



If the measurement is not acceptable but is more than 1.5 mm out of tolerance:

9. Unscrew the bolts holding the plate in place.
10. Rotate the assembled camera to the side required for adjustment (picture shows front)
11. Insert the spacer 492178 by sliding in the bottom first, then rotating the top to complete insertion.
12. Revalidate the measurement at point 3.
 - If the measurement is not acceptable, adding a spacer and revalidate.
 - If the measurement is OK, go to step 13.



13. X adjustment (length)

Confirm that the yellow line in the display is aligned with the reference point.

LEFT SIDE



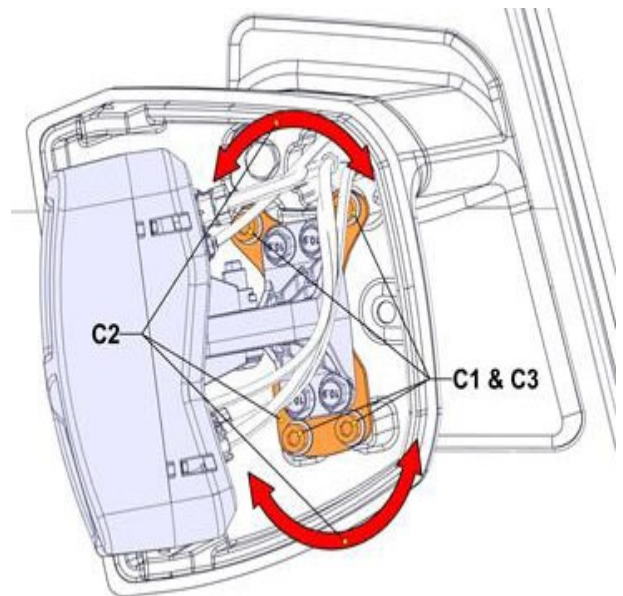
RIGHT SIDE



If the lines are not aligned.

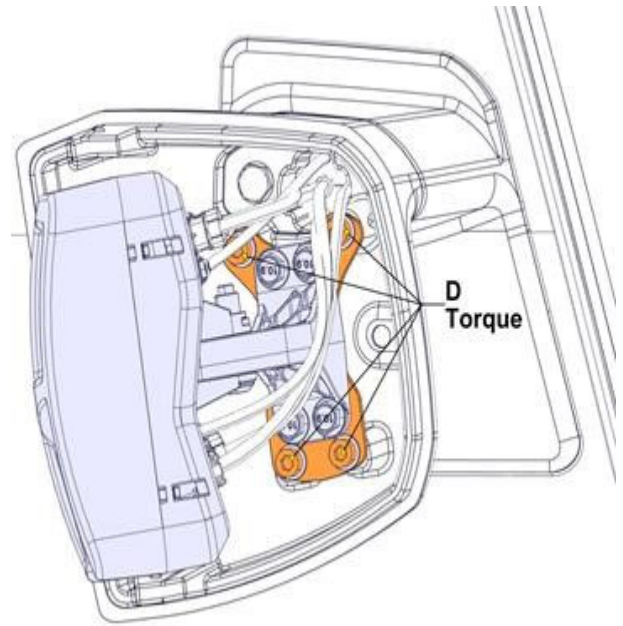
14. Unscrew the four bolts.
15. Adjust the camera adjustment plate to the side required to align the lines on the screen.
16. Once the lines are aligned, tighten the bolts so that the adjustment plate cannot move.
17. Reconfirm that the lines are facing each other.

Note: If they are not facing each other, repeat the adjustment.

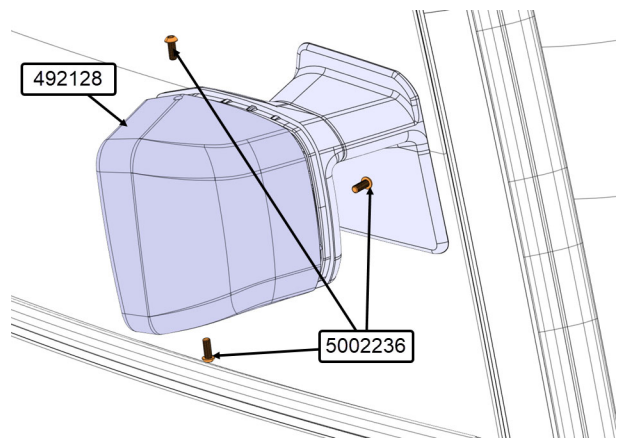


If the lines are aligned.

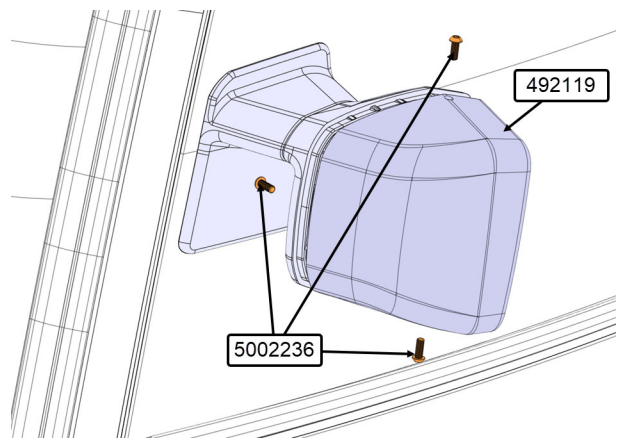
18. Torque the four bolts to 68 lb-in.



19. Reinstall right cover 492128 with screws 5002236 (3x).



20. Reinstall right cover 492119 with screws 5002236 (3x).



PARTS / WASTE DISPOSAL

All replaced parts must be returned to Prevast according to the Return Shipping Instructions available on <https://www.prevostcar.com/content/warranty-documents> for full reimbursement. A copy of the warranty claim form must be enclosed with the shipment.

Discard waste according to applicable environmental regulations (Municipal/State[Prov.]/ Federal)

WARRANTY

This modification is covered by Prevast's normal warranty. We will reimburse you the parts and labor as follows upon receipt of a warranty claim. Please submit claim via our Online Warranty System, available at www.prevostcar.com (under Service \ Warranty section). Use Claim Type: "Bulletin/Recall" and select "Warranty Bulletin WB24-09".

Camera inspection only:

½ hour (0.5) of labor

Camera inspection and replacement of one camera:

one and ½ hours (1.5) of labor

Camera inspection and replacement of both cameras:

two hours and ½ (2.5) of labor

OTHER

VBC Bulletin	N/A
Fail Code	23.01
Defect Code	09
Syst. Cond	B
Causal Part	901812

Access all our Service Bulletins on
<http://techpub.prevostcar.com/en/>
or scan the QR-Code with your smart phone.



Are you a Vehicle owner? E-mail us at technicalpublications_prev@volvo.com and type "ADD" in the subject to receive warranty bulletins applicable to your vehicle(s) by e-mail.