

PREVOST

WARRANTY BULLETIN

WB24-15

DATE :	May 2024	SECTION :	03 FUEL
EXPIRATION:	May 2026		
SUBJECT :	FUEL TANK CAPACITY DECAL REPLACEMENT		

First Release

05-17-2024

APPLICATION

NOTICE TO SERVICE CENTERS <i>Verify vehicle eligibility by checking warranty bulletin status with SAP or via ONLINE WARRANTY SYSTEM available on Service / Warranty tab of Prevost website.</i>	
Model	VIN
H3-45 VIP motorhomes Model Year: 2024	From 2PCVS3496RC721598 up to 2PCV33496RC721811 incl.
<p>This bulletin does not necessarily apply to all the above-mentioned vehicles, some vehicles may have been modified before delivery. The owners of the vehicles affected by this bulletin will be advised by a letter indicating the Vehicle Identification Number (VIN) of each vehicle concerned.</p>	

DESCRIPTION

On the vehicles affected by this bulletin, fuel tank capacity decals need to be replaced.

MATERIAL

Order kit **WB24-15** which contains the following part:

Part No	Description	Qty
406966	DECAL, CAPACITY FUEL TANK	2



Other parts that may be required:

Part No.	Description	Qty
682989	SILICONE REMOVER SLOW (200)	AR

NOTE

Material can be obtained through regular channels.

SAFETY PRECAUTIONS

- Eye protection should always be worn when working in a shop.
- Rules for Personal Protection Equipment should always be respected. Wear your PPE including but not limited to the following:



Safety First!



PROCEDURE



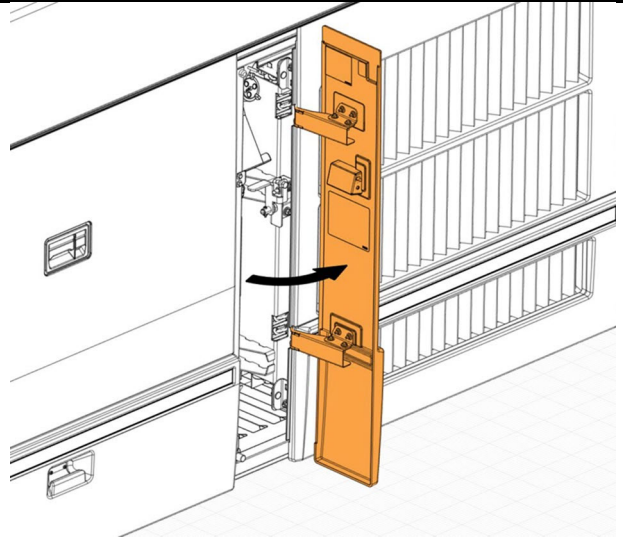
DANGER

Park vehicle safely, apply parking brake, stop the engine. Prior to working on the vehicle, set the ignition switch to the OFF position and trip the main circuit breakers equipped with a trip button. On the Commuter type vehicles, set the battery master switch (master cut-out) to the OFF position.

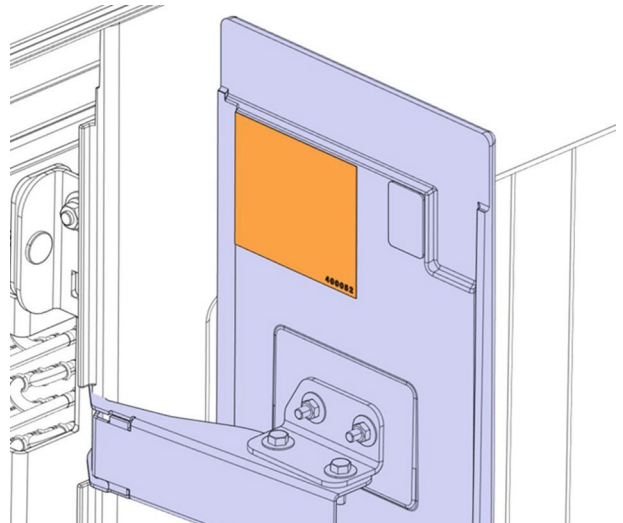
Lockout & Tag out (LOTO) must be performed during set-up, maintenance or repair activities. Refer to your local procedure for detailed information regarding the control of hazardous energy.

WITH LARGE A/C SYSTEM

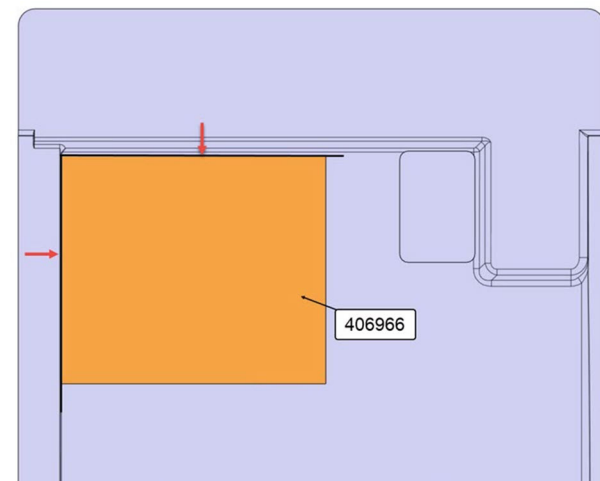
1. Open right side fuel door and locate the fuel tank capacity decal.



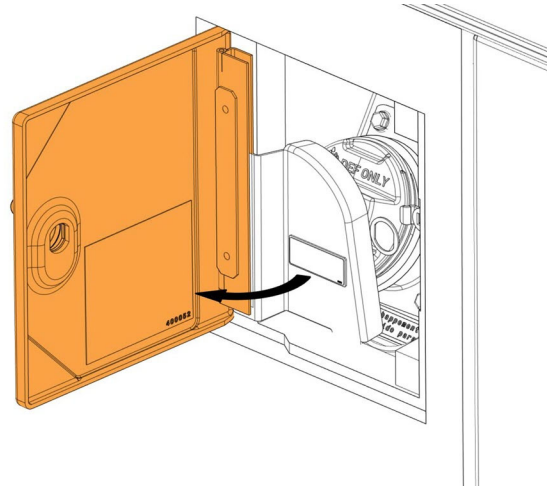
2. Remove the old fuel tank capacity decal.
3. Clean the surface with silicone remover 682989.



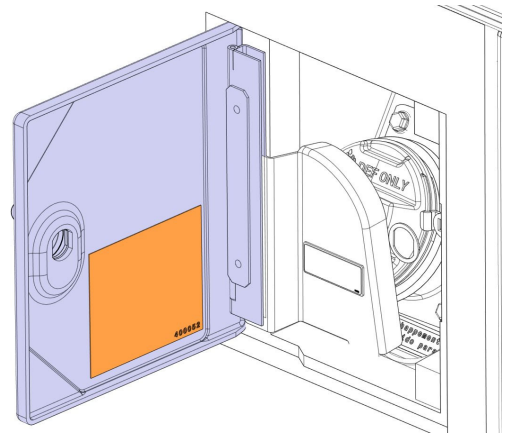
4. Install the new fuel tank capacity decal 406966 at the same position of the older one.
5. Close the right-side fuel door.



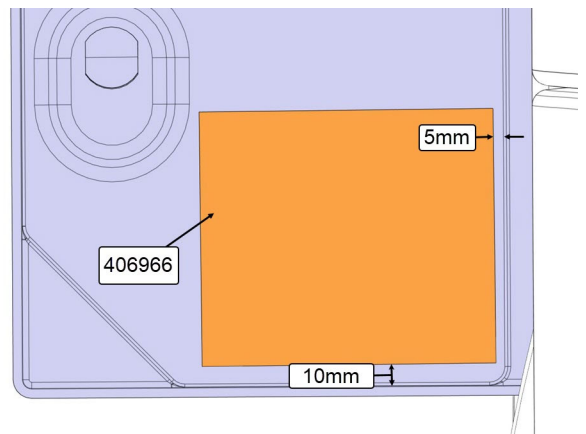
6. Open left side fuel door and locate the fuel tank capacity decal.



7. Remove the old fuel tank capacity decal.
8. Clean surface with silicone remover 682989.

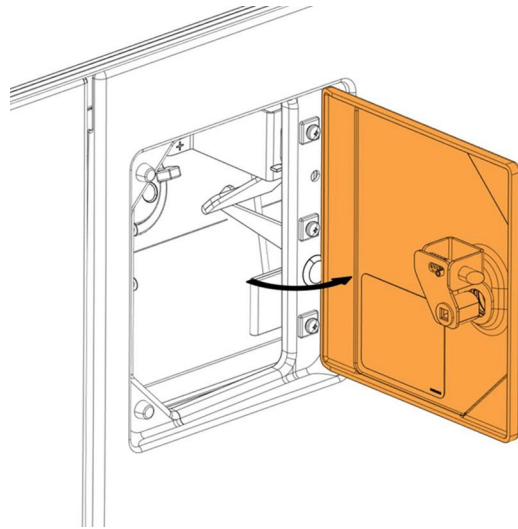


9. Install the new fuel tank capacity decal 406966 on left side fuel door at indicated position.

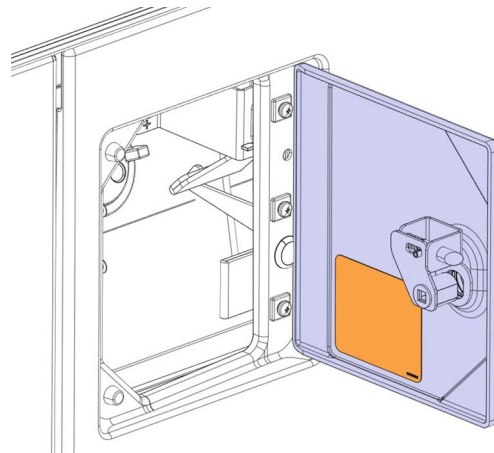


WITH SMALL A/C SYSTEM

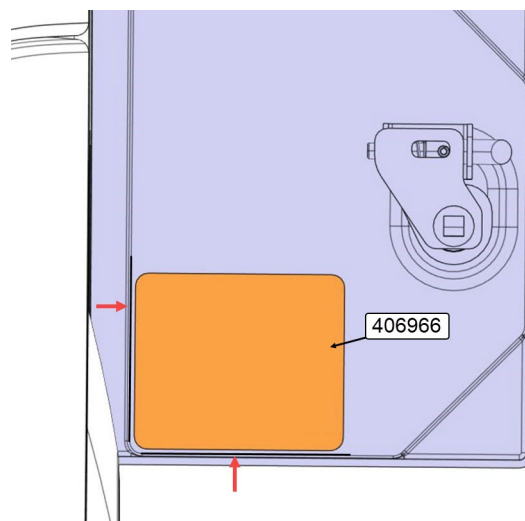
1. Open right-side fuel door and locate the fuel tank capacity decal.



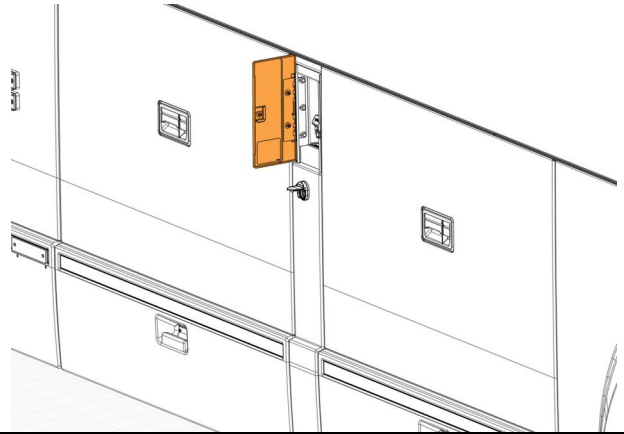
2. Remove the old fuel tank capacity decal.
3. Clean the surface with silicone remover 682989.



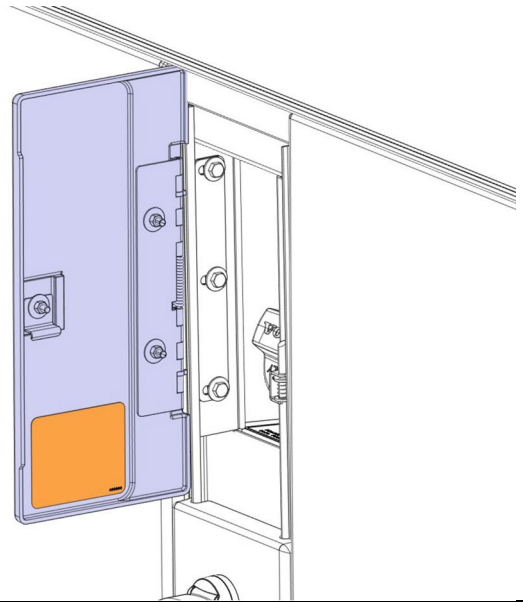
4. Install the new fuel tank capacity decal 406966 at the same position of the older one.
5. Close the right-side fuel door.



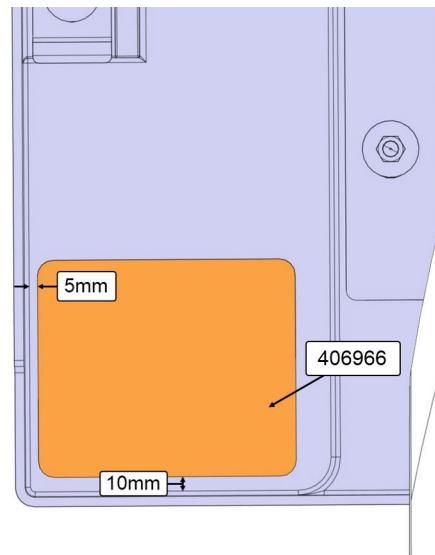
6. Open left side fuel door and locate the fuel tank capacity decal.



7. Remove the old fuel tank capacity decal.
8. Clean surface with silicone remover 682989.



9. Install the new fuel tank capacity decal 406966 on left side fuel door at indicated position.



PARTS / WASTE DISPOSAL

DO NOT RETURN THE REPLACED PARTS. Discard waste according to applicable environmental regulations (Municipal/State[Prov.]/ Federal)

WARRANTY

This modification is covered by Prevost's normal warranty. We will reimburse you the parts and ½ hour(s) (0.5) of labor upon receipt of a warranty claim. Please submit claim via our Online Warranty System, available at www.prevostcar.com (under Service \ Warranty section).

- Use Claim Type: "Bulletin/Recall" and select "Warranty Bulletin WB24-15".

OTHER

VBC Bulletin	N/A
Fail Code	03.00
Defect Code	09
Syst. Cond	B
Causal Part	400052

Access all our Service Bulletins on
<http://techpub.prevostcar.com/en/>
or scan the QR-Code with your smart phone.



Are you a Vehicle owner? E-mail us at
technicalpublications_prev@volvo.com and type "ADD" in the
subject to receive warranty bulletins applicable to your vehicle(s)
by e-mail.