



**MAINTENANCE
INFORMATION**

MI24-34

DATE :	September 2024	SECTION :	06 ELECTRICAL
SUBJECT :	EXTERIOR BAGGAGE DOOR LAMP		

First Release

09-19-2024

APPLICATION


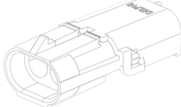
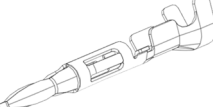

Model	Model Year
X Series	2014 - today

DESCRIPTION

This maintenance information explains how to assemble the exterior lamps of the baggage door.

MATERIAL

Order the following parts:


Part No.	Description	Qty
830220	LED LAMP 	1
561566	CONNECTOR / WEATHER PACK / PH 2C / BLACK 	2
561567	PIN TERMINAL / 20-18 / PED 	2
561565	CABLE SEAL / GREEN 	2

Other parts that may be required:

Part No.	Description	Qty
564099	CLOTH TAPE, PROTECT. 150°C - BLACK	AR

TOOL

Tool that may be required:

Part No	Description	Qty
682248	TOOL-HAND CRIMP 	1

NOTE

Material can be obtained through regular channels.

SAFETY PRECAUTIONS

- Eye protection should always be worn when working in a shop.
- Rules for Personal Protection Equipment should always be respected. Wear your PPE including but not limited to the following:



Safety First!



PROCEDURE

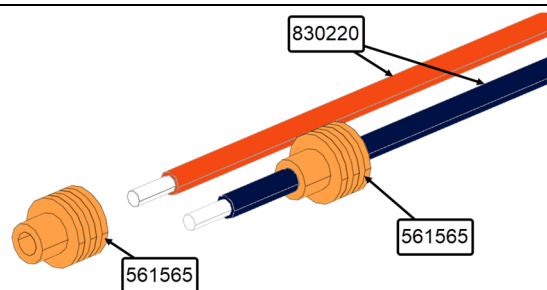


DANGER

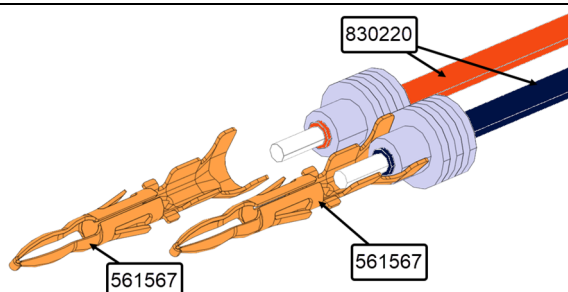
Park vehicle safely, apply parking brake, stop engine. Prior to working on the vehicle, set the ignition switch to the OFF position and trip the main circuit breakers equipped with a trip button. On Commuter type vehicles, set the battery master switch (master cut-out) to the OFF position.

Lock out & Tag out (LOTO) must be performed during set-up, maintenance or repair activities. Refer to your local procedure for detailed information regarding the control of hazardous energy.

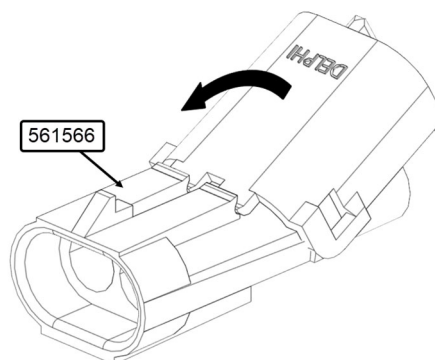
1. Install the cable seals 561565 (2x) on the wires of the lamp 830220.



2. Crimp the terminals 561567 (2x) on the seals and on the wires of the lamp 830220.

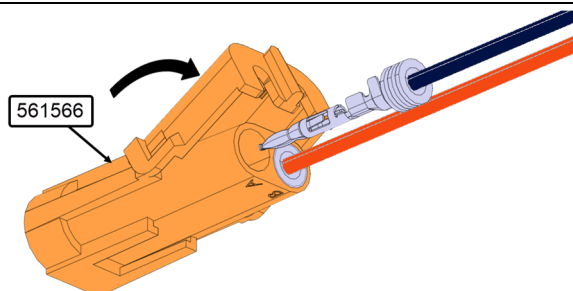


3. Open the connector 561566.

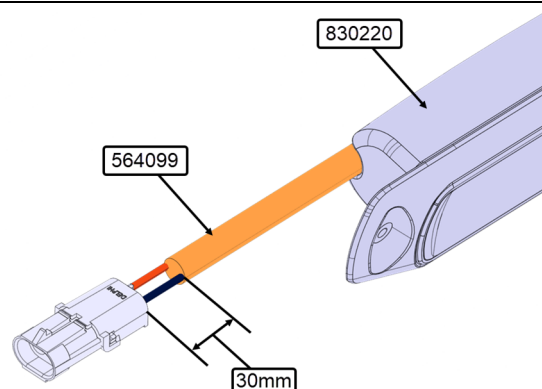


4. Insert the terminals inside the connector 561566, the black wire in position **A** and the red wire in position **B**.

5. Close the connector 561566.



6. Apply cloth tape 564099 on the wires of the lamp assembly 830220.



PARTS / WASTE DISPOSAL

Discard according to applicable environmental regulations (Municipal/State[Prov.]/ Federal)

Access all our Service Bulletins on <http://techpub.prevostcar.com/en/>
Or scan the QR-Code with your smart phone

Are you a Vehicle owner?
E-mail us at technicalpublications_prev@volvo.com and type "ADD" in the subject to
receive warranty bulletins applicable to your vehicle(s) by e-mail.

