

PREVOST

Instruction Sheet

IS-00140

IMPROVEMENT OF AIR CIRCULATION AT THE BOTTOM OF "RICON" WHEELCHAIR LIFT ACCESS DOOR

MATERIAL

Kit #453788 includes the following parts :

Part No.	Description	Qty
270932	Support, Finishing	2
287305	Arm, WCL Door Ricon-9	1
287307	Slide, WCL Door Ricon-9	1
327557	Air Duct, WCL Door Ricon-9	1
327558	Rear End, Air Duct - WCL Door Ricon-9	1
327559	Front End, Air Duct - WCL Door Ricon-9	1
327561	Closing, Air Duct - WCL Door Ricon-9	1
327562	Closing, Air Duct - WCL Door Ricon-9	1
327614	Seal, Rubber - WCL Door Ricon-9	1
327659	Seal, Rubber - WCL Door Ricon-9	1
453787	Plate, Closing - Condenser Compartment Duct	1
5001233	Washer, Flat Nylon .500 x 1.250 x 0.062	1
5001315	Screw, Cap Hex SS ¼ - 20 x 1	2
500411	Washer, Flat SS .260 x .697 x .05	6
500463	Washer, Finish Ctsk Flange Brass .187 x ½ x .090	25
500552	Screw, Tapping Oval Head Phillips ZP #6 x ¾	25
500640	Screw, Tapping Binding Head Phillips ZP #6 x ¾	25
500748	Washer, Insulation Gal. .10 x 1 1/8 x 1¼	4
500982	Nut, Hex. Jam 5/16 – 18	1
500987	Screw, Shldr Hex. Soc. Head 5/16 – 18 x 3/8 x 5/8	1
504105	Rivet, Pop Aluminum Dome Head Open-End 1/8 x 3/16	25
504487	Rivet, SS Dome Head – Monobolt 3/16 x 7/16	12
505221	Pin, Spring 1/8 x 3/8	1
505319	Anchor Nail	4

506268	Rubber, AD1 Pol. 3/8" x 1/2" x 25'	0.5
780648	Lock	1
IS-00140	Instruction Sheet	1
FI-00140	Feuille d'instructions	1

PROCEDURE

Warning : Park vehicle safely, apply parking brake, stop engine and set battery master switch(es) to the OFF position prior to working on the vehicle.

PART 1: Underfloor Duct

1. Open condenser compartment door.

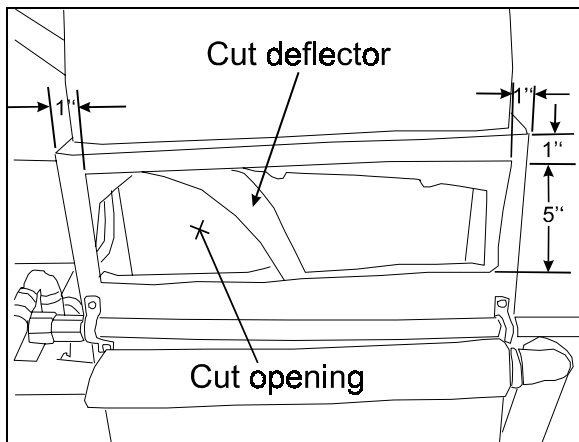


FIGURE 1

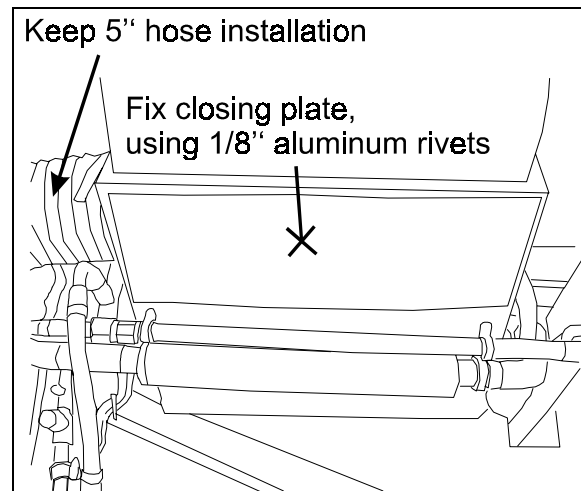


FIGURE 3

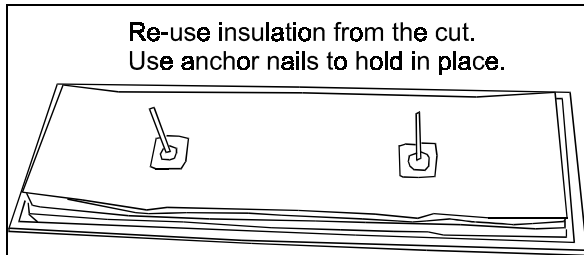


FIGURE 2

2. Keeping the 5 inch hose installation, cut the bottom part of the duct as per figure 1. Cut the deflector.
3. Install insulation on the new cover then install cover (refer to figure 2).
4. Fix cover using 1/8" aluminum rivets (refer to figure3).

PART 2: Air Duct Front End

1. Remove the cap and discard.
2. Remove post, the bottom part will have to be cut to fit the new end cap (refer to figure 4).
3. Slide the stainless steel duct towards front of vehicle by 1/4" (32 mm) (refer to figure 5).
4. The "U" shape support for the post finish has to be moved up. Cut and weld a new support.
5. Install aluminum back support and plastic duct end.

6. The duct end might have to be trimmed for hoses if parcel rack A/C option was chosen (refer to fig. 9).
7. Trim the post and install (refer to figure 8).

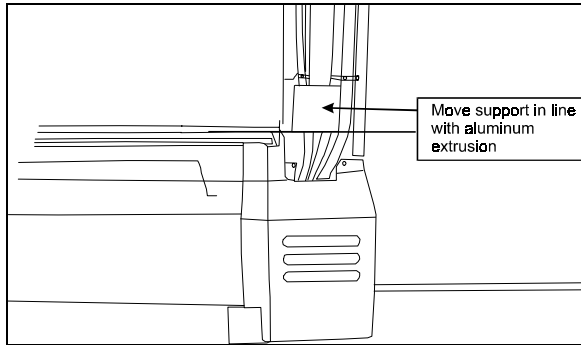


FIGURE 4

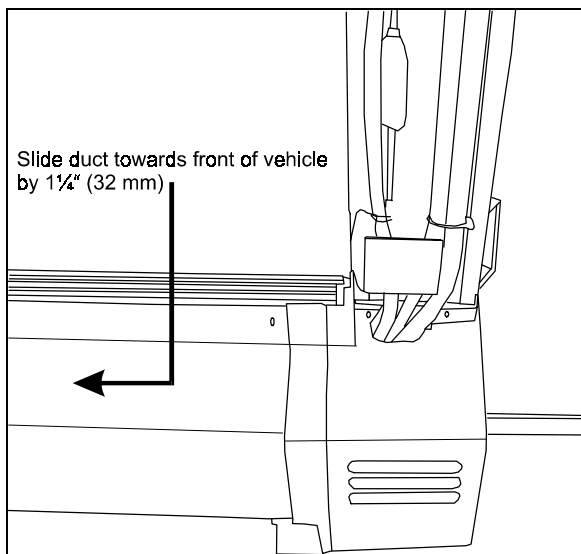


FIGURE 5

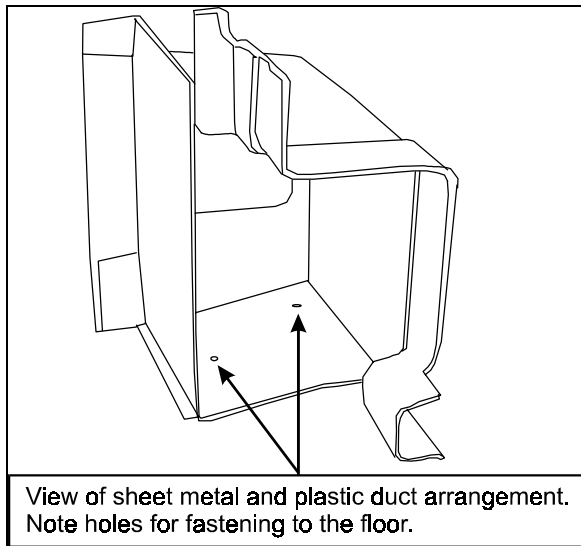


FIGURE 6

PART 3: Door Air Duct

1. Remove door slider and slider arm, discard (refer to figure 10).

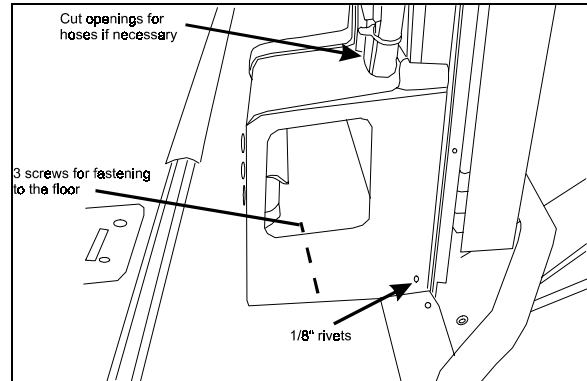


FIGURE 7

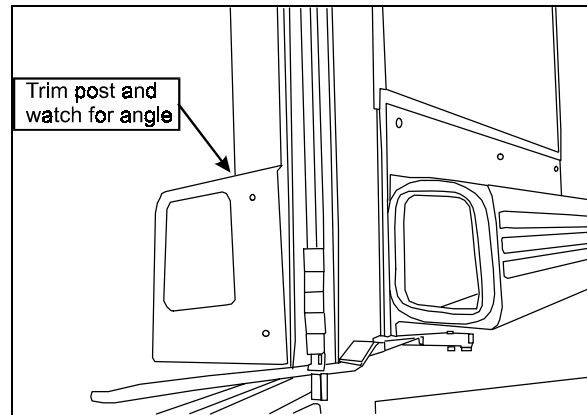


FIGURE 8

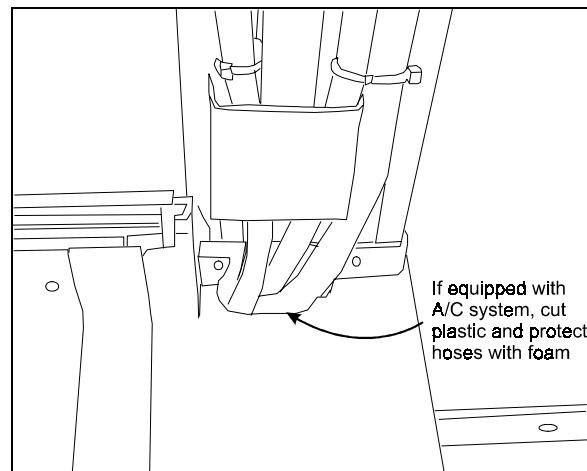


FIGURE 9

2. Remove horizontal trim for the wall rug and discard.
3. Aluminum extrusion on each side will have to be adjusted with the door duct.
4. Install duct flush with bottom of door (refer to figure 11).

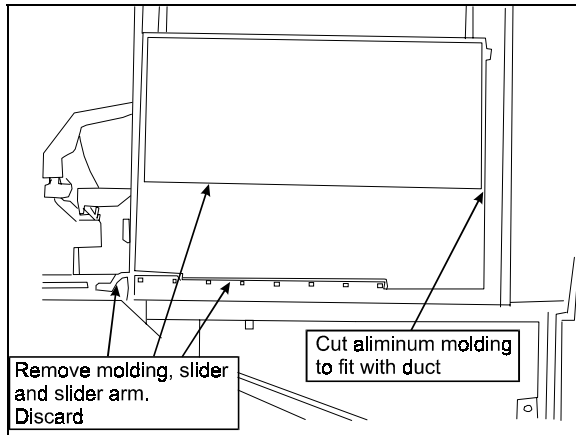


FIGURE 10

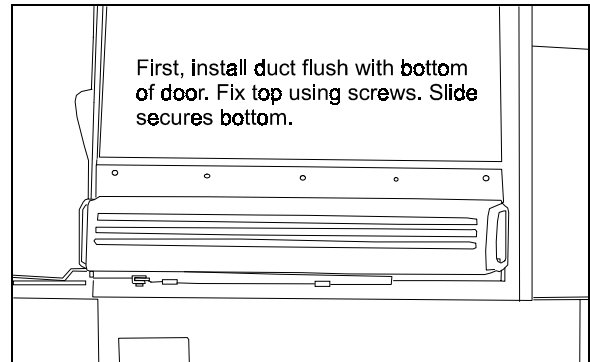


FIGURE 11

5. Assemble slider and slider arm with the shoulder screw and washer (figure 12). Apply Locktite to nut (figure 13).

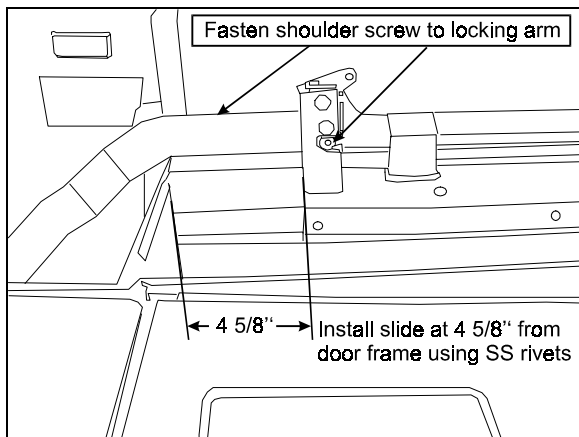


FIGURE 12

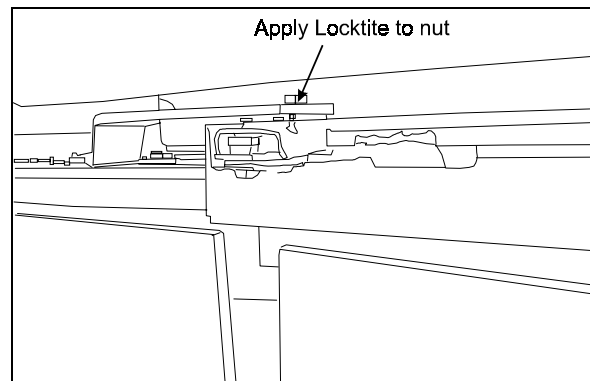


FIGURE 13

6. Install slider arm to the floor and rivet slider to the door

PART 4: Air Duct Rear End

1. Remove cap end and discard (refer to figure 14).
2. Remove post, bottom part will have to be cut to fit new end cap.
3. Check if 1/2" air wall is sealed, insert foam to close wall gap if necessary.
4. Slide stainless steel duct out to cut a small part of 1 21/32" (42 mm), slide it back to be 1 21/32" more backwards (refer to figure 19)
5. Cut the doorsill molding to fit with the duct end (refer to figure 16).

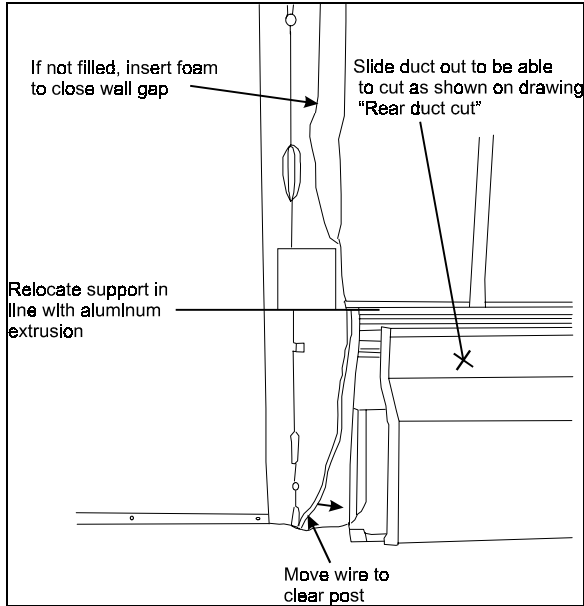


FIGURE 14

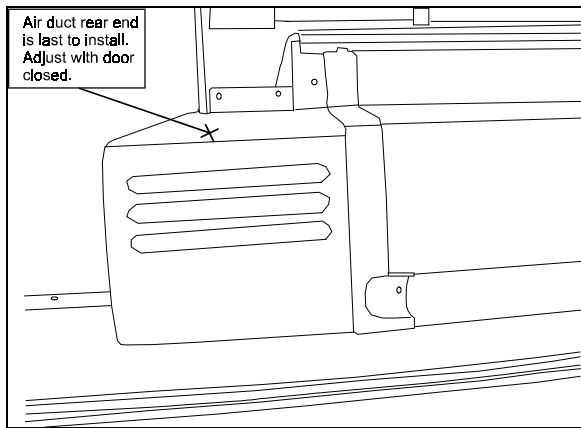


FIGURE 15

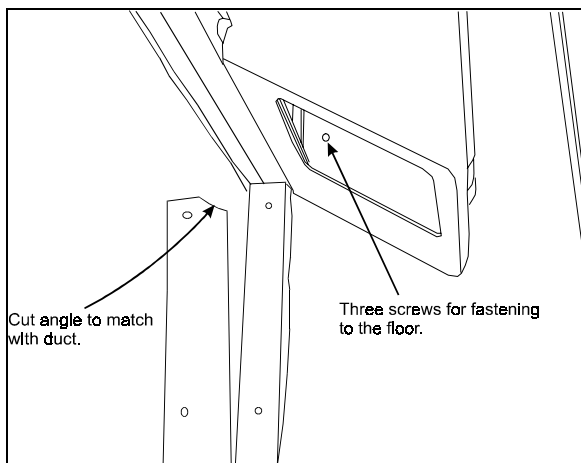


FIGURE 16

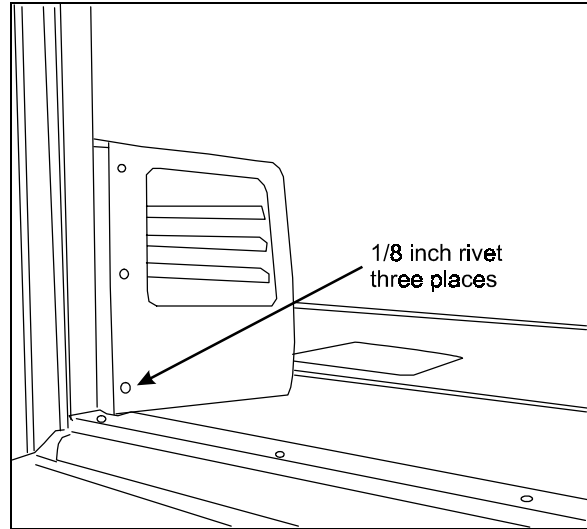


FIGURE 17

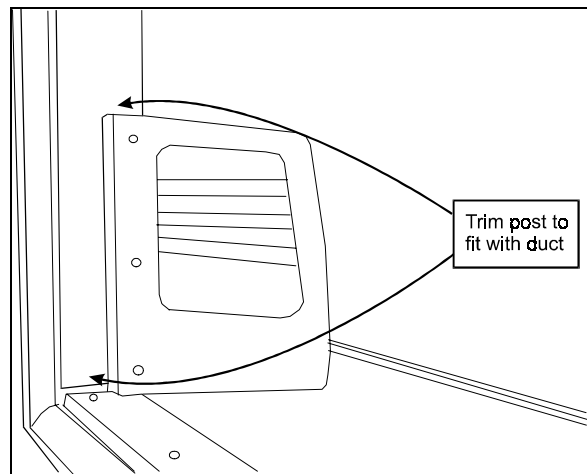


FIGURE 18

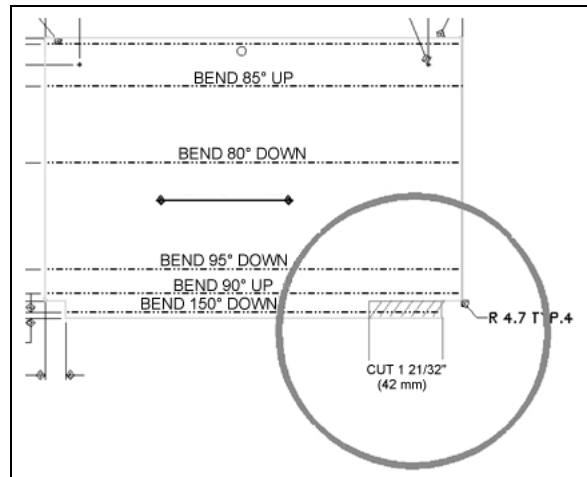


FIGURE 19

6. The "U" shape support for the post finish has to be moved up. Cut and weld a new support.
7. Close the door and adjust the rear end cap to have a gap of 13 to 16 mm (refer to figure 15).

-
8. Install aluminum back support and plastic duct end (refer to figure 17).
 9. Trim the post and install (refer to figure 18).