

INSTALLATION GUIDE FOR "REI" WIRELESS MICROPHONE

H3-40 or H5-60 Coach from L-033.....	page 2
H3-41 or H3-45 up to T-1362 (except S-252, S-266, S-275, S-290)	page 5
H3-41 or H3-45, from T-1363 up to T-1454 (except T-1416, T-1421, T-1422, T-1424, T-1445, T-1446, T-1452, T-1453)	page 7
XL 40' Coach from M-857 up to R-819.....	page 9
XL 40' and XL-45' Coach from R-820 up to T-5711	page 12
XL 40' and XL-45' Coach from T-5712 up to T-5872.....	page 14

H3-40 or H5-60 Coach from L-033

MATERIAL

Part No	Description	Qty
064280	Wireless microphone kit includes:	1
	Part No	Description
	900812	Wireless microphone
	900813	Wireless microphone receiver
	900712	Wireless microphone support
	500263	Screw, 8 X 3/8", black
	064273	Cable assembly
	064274	Cable assembly
	064275	Cable assembly
	860489	Velcro, hook, 3/4" X 3' (18 mm X 900 mm)
	860490	Velcro, loop, 3/4" X 3' (18 mm X 900 mm)
	IS-96901	Instruction Sheet
	FI-96901	Feuille d'instructions
900795	PA & preamplifier unit	1

PROCEDURE

Warning: Park vehicle safely, apply parking brake, stop engine and set battery master switch(es) to the OFF position prior to working on the vehicle.

1. At driver's feet, at left to steering column, locate PA and preamplifier unit. Disconnect electrical wiring from unit, remove screws retaining unit, then remove it.

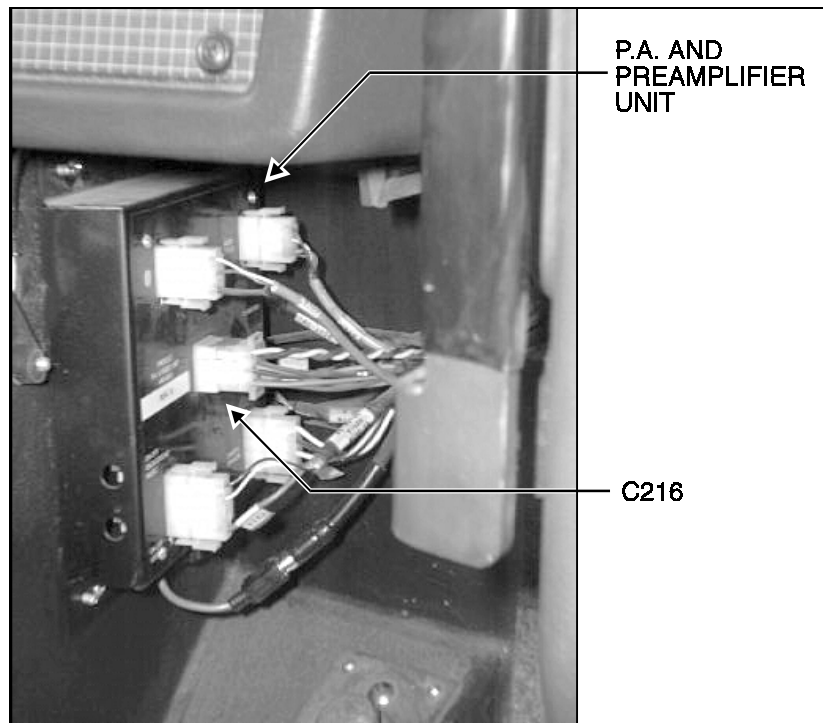


FIGURE 1

23090

2. In place of former PA and amplifier unit, install new unit (Prévost #900795), then connect electrical wiring.
3. On PA and amplifier unit, locate 9 pin connector *C216*.

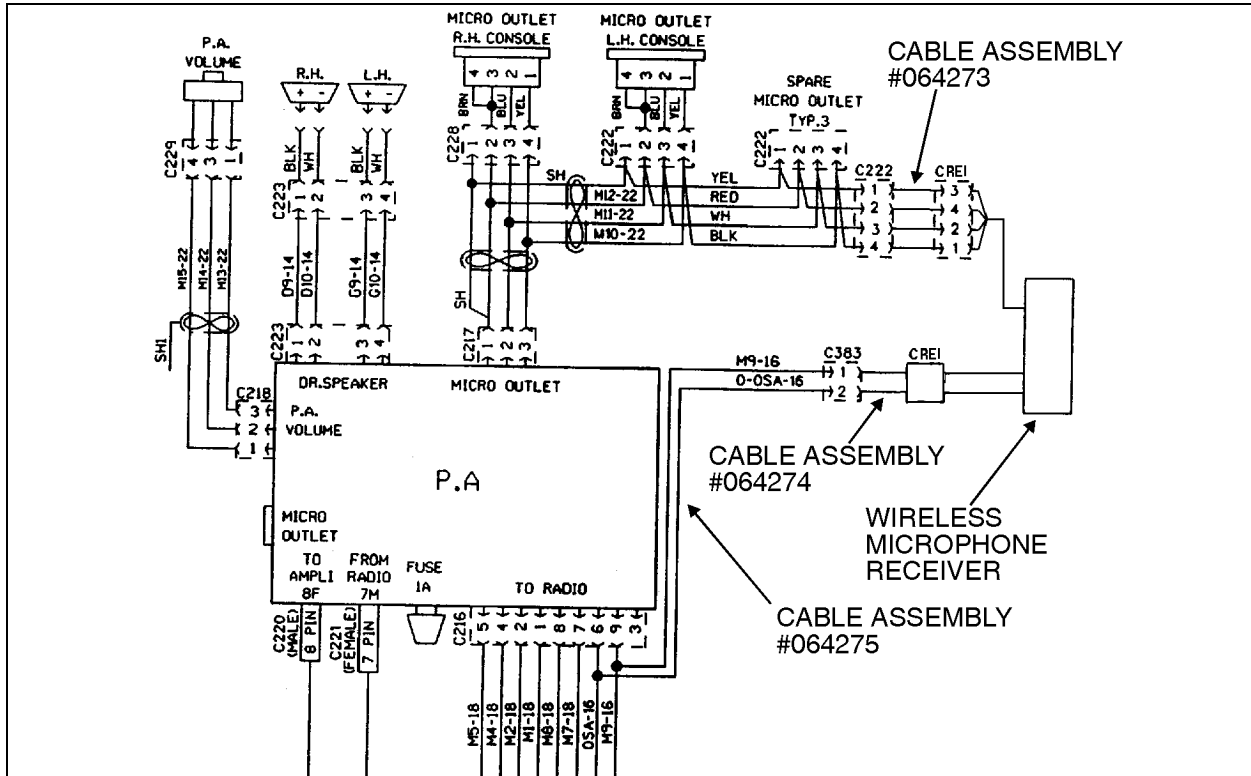


FIGURE 2

4. Skin a 1/2" (13 mm) section on wires *OSA-16* (or *M6-16*) and *M9-16*, respectively connected to pins 6 and 9 on connector *C216*.
5. Solder the black and yellow wires of cable assembly #064275 respectively to wires *OSA-16* (or *M6-16*) and *M9-16*, then protect with electric tape.
6. Route cable assembly #064275 to front service compartment.
7. In front service compartment, to the left of alarm junction box, locate connector *C222* and connect it to cable assembly #064273. Connect cable assembly #064274 to cable #064275.
8. Remove moulding located to the right of driver, from L.H. side control panel to the parcel rack (Fig. 3).

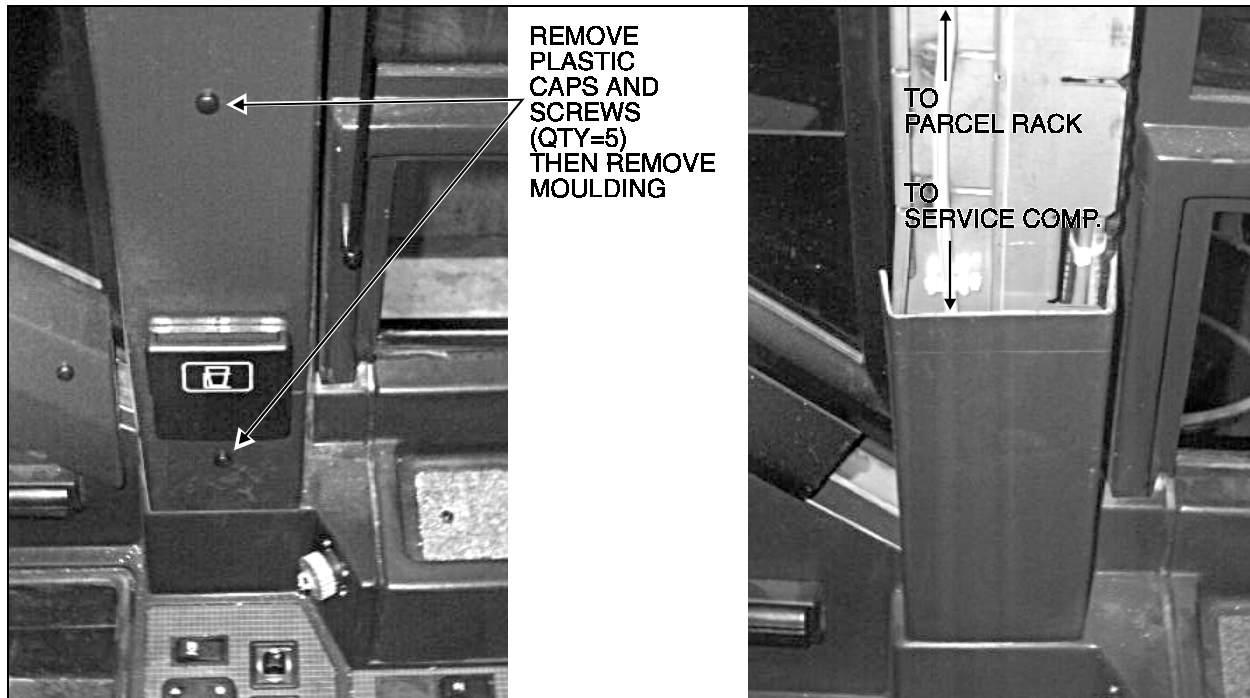


FIGURE 3

9. Remove driver's light dome panel.
10. Remove panel located on R.H. side in first parcel rack (on L.H. side of vehicle). Make a 1" (25 mm) diameter hole at bottom of panel for cables. Reinstall panel.
11. Route cable assembly #064273 and #064274 to first parcel rack, fix it to structure with cable ties.
12. Reinstall moulding and driver's light dome panel.
13. In first parcel rack, choose a place to install wireless microphone receiver (Prévost #900813). Install it using self-adhesive Velcro (Prévost #860489 and #860450).
14. Connect cable assembly #064273 and #064274 in corresponding connectors on wireless microphone receiver.
15. In driver's section, choose a place to install microphone. Fix microphone support (Prévost #900712) with screws (Prévost #500263), install wireless microphone (Prévost #900812) on support.

**H3-41 or H3-45 up to T-1362
(except S-252, S-266, S-275, S-290)**

MATERIAL

Part No	Description	Qty	
064280	Wireless microphone kit includes:	1	
	Part No	Description	
		Qty	
	900812	Wireless microphone	1
	900813	Wireless microphone receiver	1
	900712	Wireless microphone support	1
	500263	Screw, 8 X 3/8", black	2
	064273	Cable assembly	1
	064274	Cable assembly	1
	064275	Cable assembly	1
	860489	Velcro, hook, 3/4" X 3' (18 mm X 900 mm)	1
	860490	Velcro, loop, 3/4" X 3' (18 mm X 900 mm)	1
	IS-96901	Instruction Sheet	1
	FI-96901	Feuille d'instructions	1
900795	PA & preamplifier unit	1	

Note: Some parts may not be used on all vehicles.

PROCEDURE

Warning: Park vehicle safely, apply parking brake, stop engine and set battery master switch(es) to the OFF position prior to working on the vehicle.

1. At driver's feet, at left to steering column, locate PA and preamplifier unit (see figure 1, page 2). Disconnect electrical wiring from unit, remove screws retaining unit, then remove it.
2. In place of former PA and amplifier unit, install new unit (Prévost #900795), then connect electrical wiring.
3. In front service compartment, to the right of alarm junction box, locate connector C222 and C383. Connect cable assembly #064273 on C222, and cable assembly #064274 on C383.

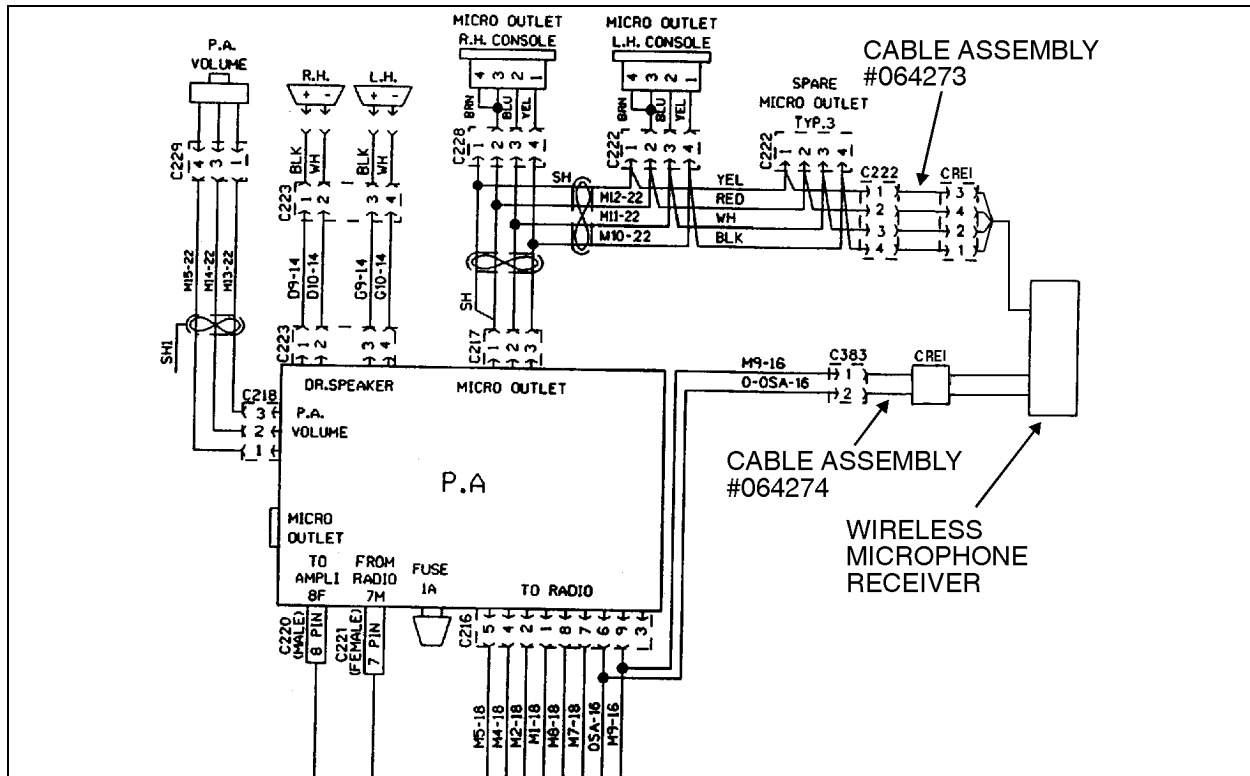


FIGURE 4

4. Remove moulding located to the left of driver, from L.H. side control panel to the parcel rack (see figure 3, page 4).
5. Remove driver's light dome panel.
6. Remove panel located on R.H. side in first parcel rack (on L.H. side of vehicle). Make a 1" (25 mm) diameter hole at bottom of panel for cables. Reinstall panel.
7. Route cable assembly #064273 and #064274 to first parcel rack, fix it to structure with cable ties.
8. Reinstall moulding and driver's light dome panel.
9. In first parcel rack, choose a place to install wireless microphone receiver (Prévost #900813). Install it using self-adhesive Velcro (Prévost #860489 and #860450).
10. Connect cable assembly #064273 and #064274 in corresponding connectors on wireless microphone receiver.
11. In driver's section, choose a place to install microphone. Fix microphone support (Prévost #900712) with screws (Prévost #500263), install wireless microphone (Prévost #900812) on support.

**H3-41 or H3-45, from T-1363 up to T-1454
(except T-1416, T-1421, T-1422, T-1424, T-1445, T-1446, T-1452, T-1453)**

MATERIAL

Part No	Description	Qty	
064280	Wireless microphone kit includes:	1	
	Part No	Description	
		Qty	
	900812	Wireless microphone	1
	900813	Wireless microphone receiver	1
	900712	Wireless microphone support	1
	500263	Screw, 8 X 3/8", black	2
	064273	Cable assembly	1
	064274	Cable assembly	1
	064275	Cable assembly	1
	860489	Velcro, hook, 3/4" X 3' (18 mm X 900 mm)	1
	860490	Velcro, loop, 3/4" X 3' (18 mm X 900 mm)	1
	IS-96901	Instruction Sheet	1
	FI-96901	Feuille d'instructions	1

Note: Some parts may not be used on all vehicles.

PROCEDURE

Warning: Park vehicle safely, apply parking brake, stop engine and set battery master switch(es) to the OFF position prior to working on the vehicle.

1. In front service compartment, to the right of alarm junction box, locate connector C222 and C383. Connect cable assembly #064273 on C222, and cable assembly #064274 on C383.

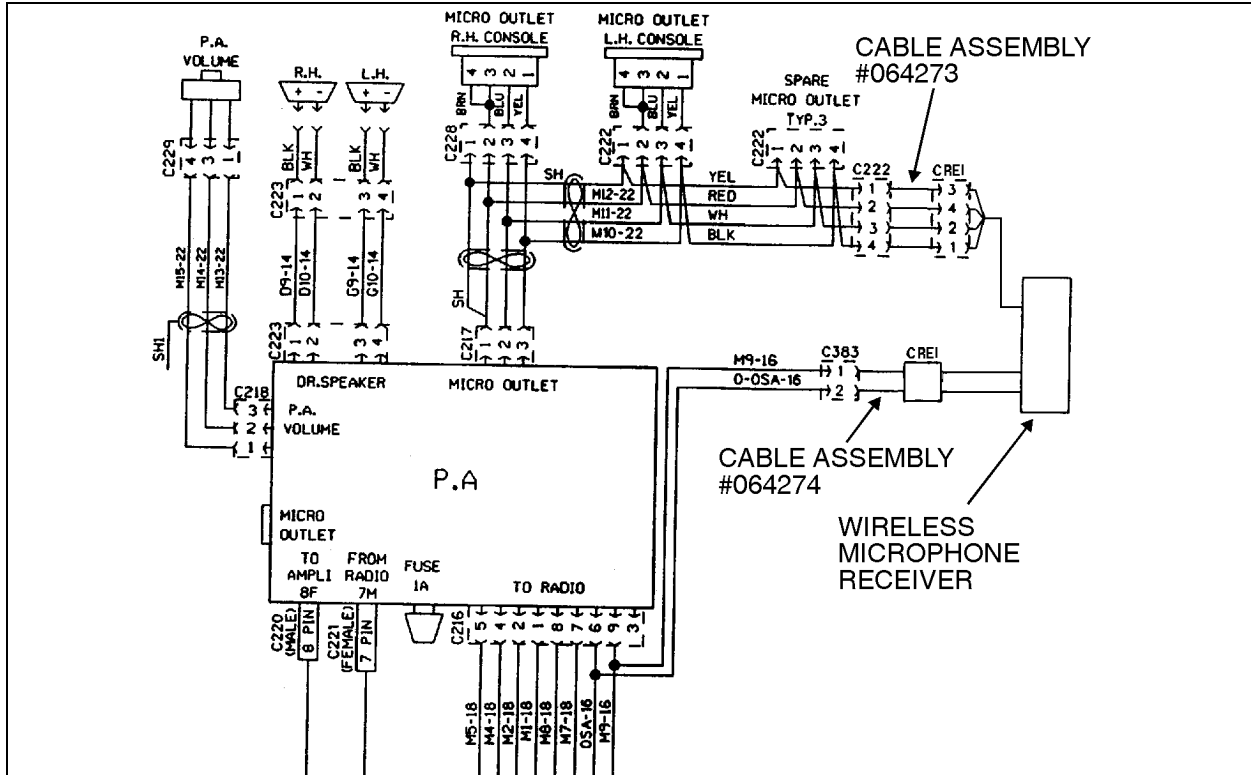


FIGURE 5

2. Remove moulding located to the left of driver, from L.H. side control panel to the parcel rack (see figure 3, page 4).
3. Remove driver's light dome panel.
4. Remove panel located on R.H. side in first parcel rack (on L.H. side of vehicle). Make a 1" (25 mm) diameter hole at bottom of panel for cables. Reinstall panel.
5. Route cable assembly #064273 and #064274 to first parcel rack, fix it to structure with cable ties.
6. Reinstall moulding and driver's light dome panel.
7. In first parcel rack, choose a place to install wireless microphone receiver (Prévost #900813). Install it using self-adhesive Velcro (Prévost #860489 and #860450).
8. Connect cable assembly #064273 and #064274 in corresponding connectors on wireless microphone receiver.
9. In driver's section, choose a place to install microphone. Fix microphone support (Prévost #900712) with screws (Prévost #500263), install wireless microphone (Prévost #900812) on support.

XL 40' Coach from M-857 up to R-819

MATERIAL

Part No	Description	Qty
064280	Wireless microphone kit includes:	1
	Part No	Description
	900812	Wireless microphone
	900813	Wireless microphone receiver
	900712	Wireless microphone support
	500263	Screw, 8 X 3/8", black
	064273	Cable assembly
	064274	Cable assembly
	064275	Cable assembly
	860489	Velcro, hook, 3/4" X 3' (18 mm X 900 mm)
	860490	Velcro, loop, 3/4" X 3' (18 mm X 900 mm)
	IS-96901	Instruction Sheet
	FI-96901	Feuille d'instructions
900795	PA & preamplifier unit	1

PROCEDURE

Warning: Park vehicle safely, apply parking brake, stop engine and set battery master switch(es) to the OFF position prior to working on the vehicle.

1. Remove finishing panel located at driver's feet, behind accelerator and brake pedals.
2. Locate PA and preamplifier unit. Disconnect electrical wiring from unit, remove screws retaining unit, then remove it.

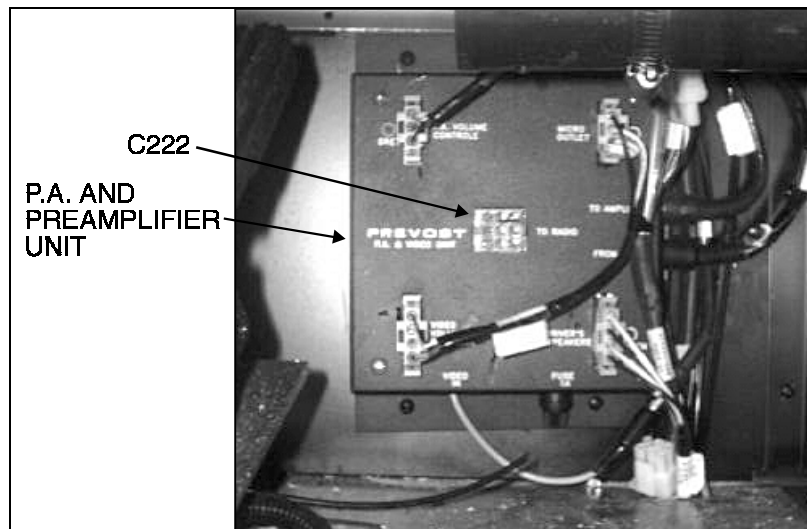


FIGURE 6

23091

3. In place of former PA and amplifier unit, install new unit (Prévost #900795), then connect electrical wiring.
4. On PA and amplifier unit, locate 9 pin connector C222.

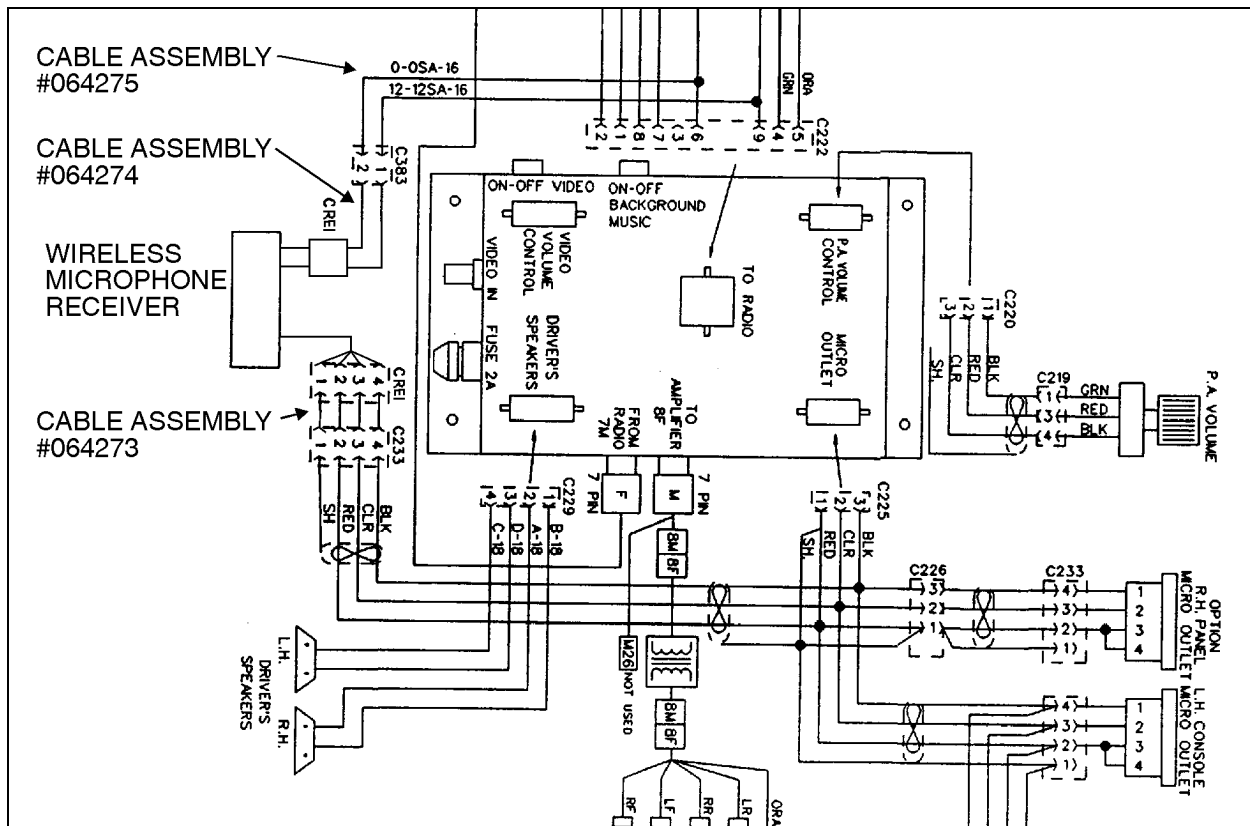


FIGURE 7

5. Skin a ½" (13 mm) section on wires 0-0SA-16 and 12-12SA-16, respectively connected to pins 6 and 9 on connector C222.
6. Solder the black and yellow wires of cable assembly #064275 respectively to wires 0-0SA-16 and 12-12SA-16, then protect with electric tape.
7. Locate connector C233 and connect it to cable assembly #064273. Connect cable assembly #064274 on cable #064275.
8. Remove panel located on R.H. side in first parcel rack (on L.H. side of vehicle). Make a 1" (25 mm) diameter hole at bottom of panel for cables. Reinstall panel.
9. Remove finishing piece ahead of first parcel rack (Fig. 8).

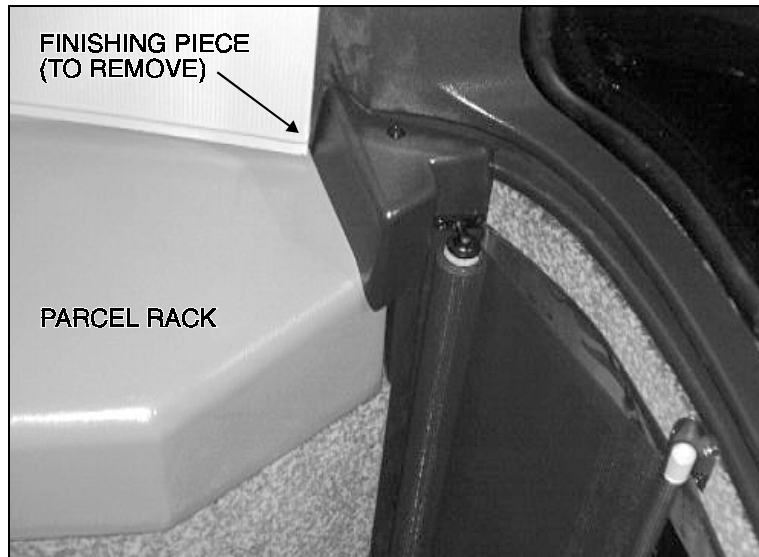


FIGURE 8

10. Route cable assembly #064273 and #064274 to first parcel rack.
11. Reinstall finishing panel at driver's feet, and finishing piece ahead of first parcel rack.
12. In first parcel rack, choose a place to install wireless microphone receiver (Prévost #900813). Install it using self-adhesive Velcro (Prévost #860489 and #860450).
13. Connect cable assembly #064273 and #064274 in corresponding connectors on wireless microphone receiver.
14. In driver's section, choose a place to install microphone. Fix microphone support (Prévost #900712) with screws (Prévost #500263), install wireless microphone (Prévost #900812) on support.

XL 40' and XL-45' Coach from R-820 up to T-5711

MATERIAL

Part No	Description	Qty	
064280	Wireless microphone kit includes:	1	
	Part No	Description	
		Qty	
	900812	Wireless microphone	1
	900813	Wireless microphone receiver	1
	900712	Wireless microphone support	1
	500263	Screw, 8 X 3/8", black	2
	064273	Cable assembly	1
	064274	Cable assembly	1
	064275	Cable assembly	1
	860489	Velcro, hook, 3/4" X 3' (18 mm X 900 mm)	1
	860490	Velcro, loop, 3/4" X 3' (18 mm X 900 mm)	1
	IS-96901	Instruction Sheet	1
	FI-96901	Feuille d'instructions	1
900795	PA & preamplifier unit	1	

Note: Some parts may not be used on all vehicles.

PROCEDURE

Warning: Park vehicle safely, apply parking brake, stop engine and set battery master switch(es) to the OFF position prior to working on the vehicle.

1. Remove finishing panel located at driver's feet, behind accelerator and brake pedals.
2. Locate PA and preamplifier unit (see figure 6, page 11). Disconnect electrical wiring from unit, remove screws retaining unit, then remove it.
3. In place of former PA and amplifier unit, install new unit (Prévost #900795), then connect electrical wiring.
4. Locate connectors C233 and C383. Connect C233 to cable assembly #064273 and C383 to cable assembly #064274.

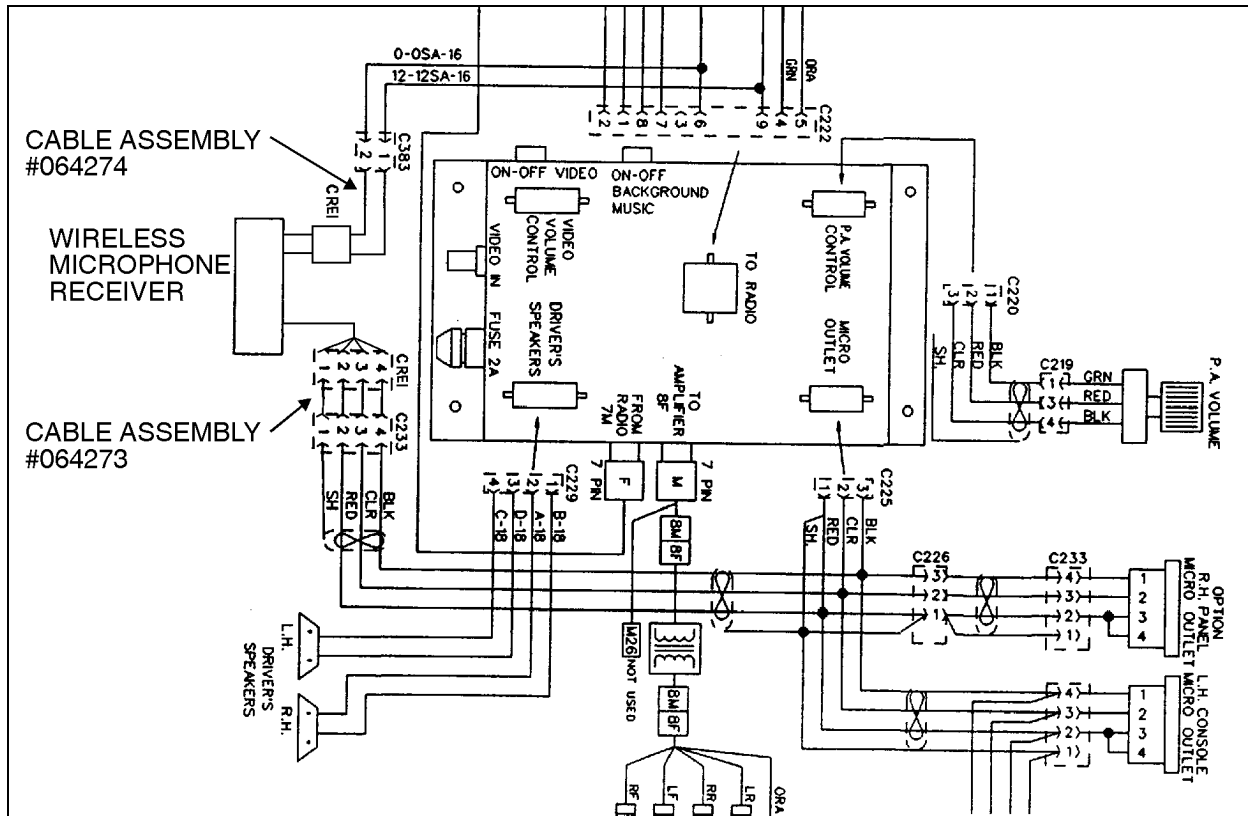


FIGURE 9

5. Remove panel located on R.H. side in first parcel rack (on L.H. side of vehicle). Make a 1" (25 mm) diameter hole at bottom of panel for cables. Reinstall panel.
6. Remove finishing piece ahead of first parcel rack (see figure 8, page 11).
7. Route cable assembly #064273 and #064274 to first parcel rack.
8. Reinstall finishing panel at driver's feet, and finishing piece ahead of first parcel rack.
9. In first parcel rack, choose a place to install wireless microphone receiver (Prévost #900813). Install it using self-adhesive Velcro (Prévost #860489 and #860450).
10. Connect cable assembly #064273 and #064274 in corresponding connectors on wireless microphone receiver.
11. In driver's section, choose a place to install microphone. Fix microphone support (Prévost #900712) with screws (Prévost #500263), install wireless microphone (Prévost #900812) on support.

XL 40' and XL-45' Coach from T-5712 up to T-5872

MATERIAL

Part No	Description	Qty	
064280	Wireless microphone kit includes:	1	
	Part No	Qty	
	900812	Wireless microphone	1
	900813	Wireless microphone receiver	1
	900712	Wireless microphone support	1
	500263	Screw, 8 X 3/8", black	2
	064273	Cable assembly	1
	064274	Cable assembly	1
	064275	Cable assembly	1
	860489	Velcro, hook, 3/4" X 3' (18 mm X 900 mm)	1
	860490	Velcro, loop, 3/4" X 3' (18 mm X 900 mm)	1
	IS-96901	Instruction Sheet	1
	FI-96901	Feuille d'instructions	1

Note: Some parts may not be used on all vehicles.

PROCEDURE

Warning: Park vehicle safely, apply parking brake, stop engine and set battery master switch(es) to the OFF position prior to working on the vehicle.

1. Remove finishing panel located at driver's feet, behind accelerator and brake pedals.
2. Locate connectors C233 and C383. Connect C233 to cable assembly #064273 and C383 to cable assembly #064274.

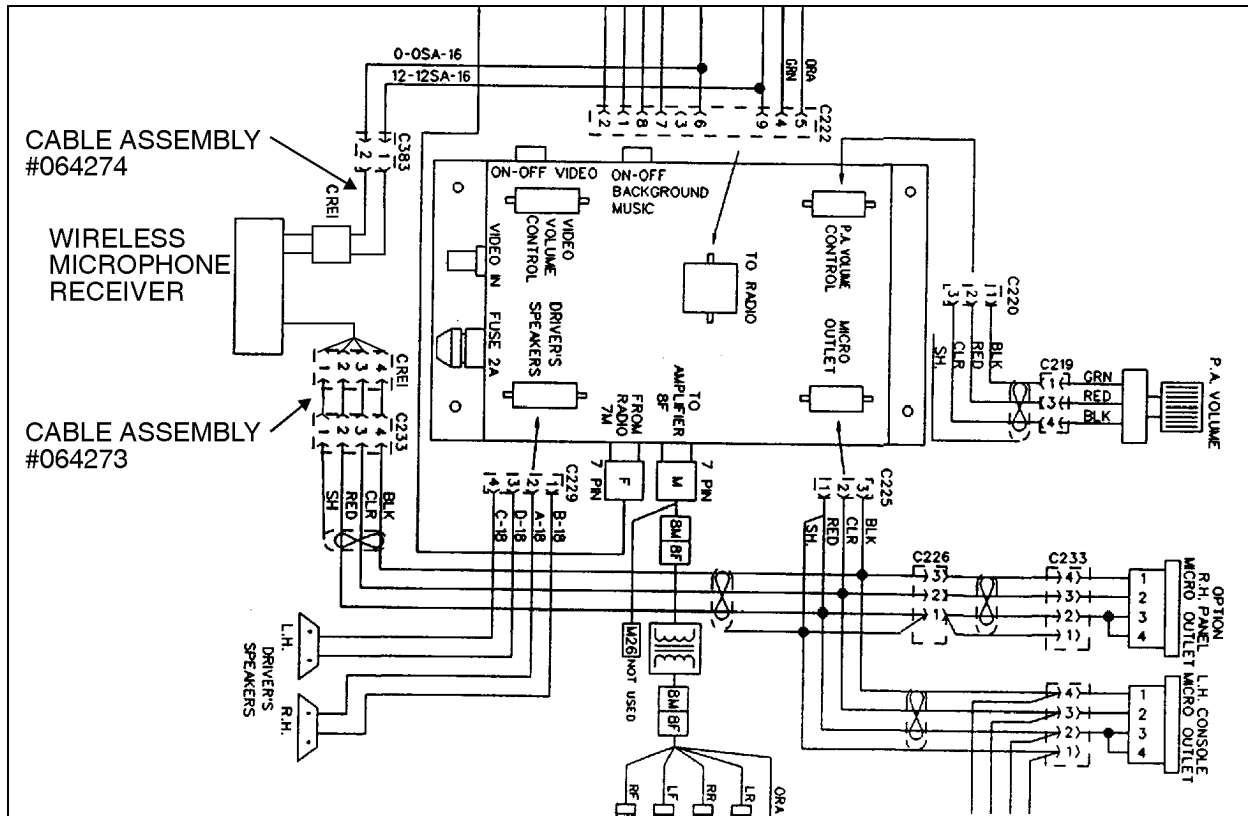


FIGURE 10

3. Remove panel located on R.H. side in first parcel rack (on L.H. side of vehicle). Make a 1" (25 mm) diameter hole at bottom of panel for cables. Reinstall panel.
4. Remove finishing piece ahead of first parcel rack (see figure 8, page 11).
5. Route cable assembly #064273 and #064274 to first parcel rack.
6. Reinstall finishing panel at driver's feet, and finishing piece ahead of first parcel rack.
7. In first parcel rack, choose a place to install wireless microphone receiver (Prévost #900813). Install it using self-adhesive Velcro (Prévost #860489 and #860450).
8. Connect cable assembly #064273 and #064274 in corresponding connectors on wireless microphone receiver.
9. In driver's section, choose a place to install microphone. Fix microphone support (Prévost #900712) with screws (Prévost #500263), install wireless microphone (Prévost #900812) on support.