

PREVOST

Instruction Sheet

IS-97107

NEW WINDOW WITH SCREEN FOR THE ENTRANCE DOOR AND FOR THE DRIVER'S WINDOW

MATERIAL

Kit for the driver's window #292927 includes the following parts.

Part No.	Description	Qty
292923	Driver's window	1
5001368	Screw	22
504475	Rivet	10
292928	Left Spacer	1
292929	Upper Spacer	1
292930	Right Spacer	1
IS-97107	Instruction Sheet	1
FI-97107	Feuille d'instructions	1

MATERIAL

Kit for the entrance door window #293052 includes the following parts.

Part No.	Description	Qty
292924	Entrance door window	1
5001368	Screw	22
IS-97107	Instruction Sheet	1
FI-97107	Feuille d'instructions	1

PROCEDURE

Warning: Park vehicle safely, apply parking brake, stop engine and set battery master switch(es) to the OFF position prior to working on the vehicle.

Driver's window installation procedure

1. In order to remove the interior frame, first remove interior finish and the left hand operator console all around the window.

Note: To remove the interior finish, the rivets have to be taken out.

2. Unscrew the exterior frame and remove the window while pushing it outside of the vehicle from inside the vehicle in order to unglue it from the structure.

3. Remove the original sealant left on the vehicle's structure.
4. Drill and screw the three spacers in place on the structure of the vehicle (Fig. 1) (Fig. 2) (Fig. 3).
5. On the new window frame, first apply a foam tape (Prevost #506191) on the exterior perimeter, a butyl tape (Prevost #680115) aside the foam tape then a bead of liquid butyl (Prevost #680096) on the butyl tape in corner of frame (Fig. 1).
6. With the liquid "Butyl", patch the holes that the exterior frame's screws left.

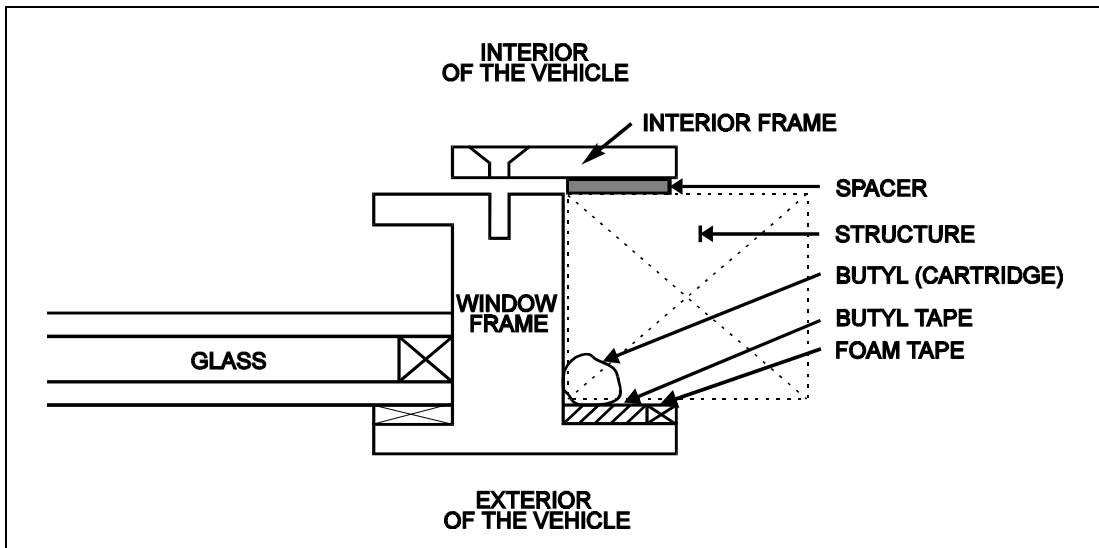


FIGURE 1: NEW WINDOW CROSS SECTION

18302

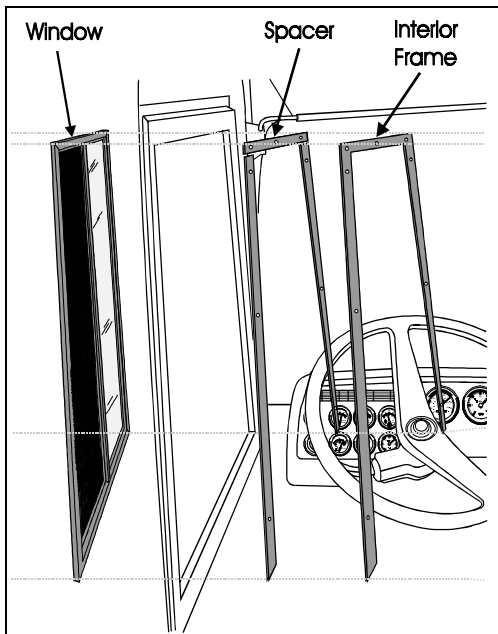


FIGURE 2: OPERATOR'S WINDOW

18303

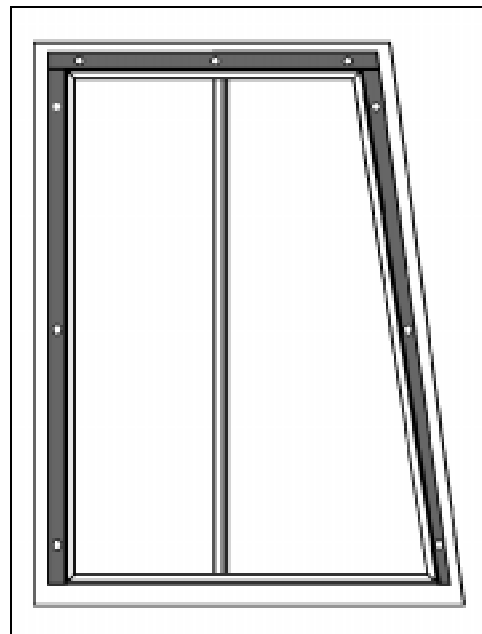


FIGURE 3: SPACERS INSTALLATION

18305

7. Install new window from the exterior of the vehicle (Fig. 2).
8. Install and secure the interior frame using screws, then reinstall interior finish.

Entrance door window installation procedure

1. Unscrew the interior frame then unglue it carefully with a knife in order to remove the existing window with the help of a lever.
2. Remove the original sealant left on the vehicle's door.
3. On the new window frame, first apply a foam tape (Prevost #506191) on the exterior perimeter, a butyl tape (Prevost #680115) aside the foam tape then a bead of liquid butyl (Prevost #680096) on the butyl tape in corner of frame (Fig. 1).
4. Install new window from the exterior of the vehicle (see figure 3).

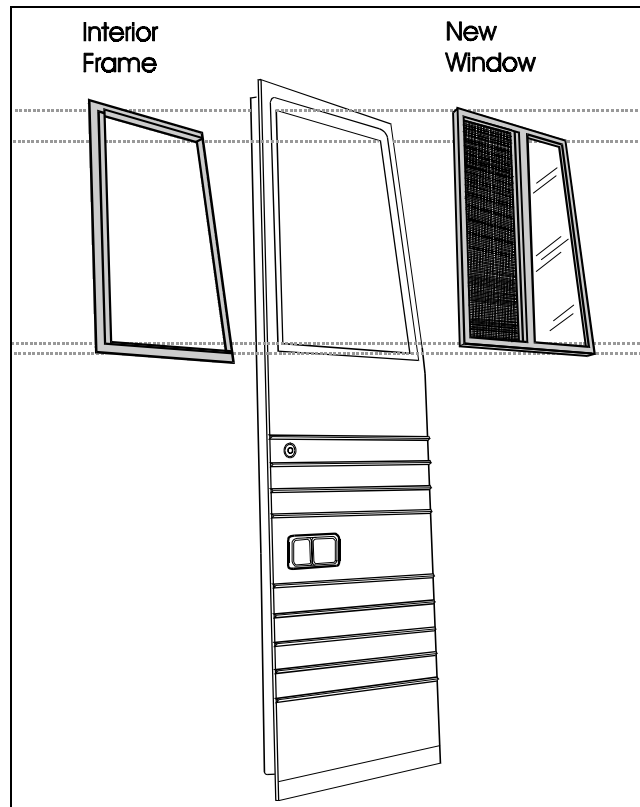


FIGURE 3: ENTRANCE DOOR WINDOW

18304

5. Install and screw interior frame.