

PREVOST

Instruction Sheet

IS-97122

COOLING FAN GEARBOX REPLACEMENT

MATERIAL

Kit #052212 for vehicles equipped with CCW rotating fans OR kit #052261 for vehicles equipped with CW rotating fans, includes the following parts :

Part No.	Description	Qty
052213	Adapter	1
500473	Lock Washer, 0,262 x 0,489 x 0,062	3
500213	Cap Screw, ½-13 x 1	8
500177	Cap Screw, 1/4-20 x 1	3
500482	Lock Washer, 0,506 x 0,873 x 0,125	8
550690	Tapered Bushing	1
052215	Driving Plate	1
500718	Bolt, ½-20	2
550789	Gear Box, 90 degrees, CW rotation	1*
550791	Gear Box, 90 degrees, CCW rotation	1*
500096	Cap Screw, ½- 20 x 3	2
500446	Flat Washer, 0,531 x 1,25 x 0,125	2
550186	Key	2
5001167	Set Screw, 3/8 - 16 x ½	2
5001099	Flat Washer	2
IS-97122	Instruction Sheet	1
FI-97122	Feuille d'instructions	1

(*) Only one gearbox with appropriate sense of rotation is included in kit.

PROCEDURE

Warning : Park vehicle safely, apply parking brake, stop engine and set battery master switch(es) to the OFF position prior to working on the vehicle.

Note : Refer to the illustration on the following page for added information.

1. Disconnect the gearbox at the fan and the flexible coupling;
2. Remove the gearbox by untightening the four bolts at it's base;
3. From the existent gearbox, remove the tapered bushing and key from the output shaft;
4. Install adapter (#052213) on gearbox (#550789 or #550791) using four bolts (#50013) and lock washers (#500482);
5. Install tapered bushing (#550690) on gearbox output shaft. Apply some thread adhesive (loctite 242 or equivalent) on key and keyway. Tighten using a set screw (#5001167);
6. Install driving plate (#052215) on gearbox input shaft. Do not tighten set screw (#5001167);
7. Fasten gearbox assembly on the existent support using four bolts (#500213) and lock washers (500482);
8. Fasten the fan assembly to output shaft using three bolts (#500177) and lock washers (#500473). Make sure the fan rotates freely between gearbox and radiator; Tighten bolts (#500177) alternately to 100-125 lbs-in. (11-14 N•m);
9. Fasten driving plate (#052215) to flexible coupling.
10. Remove input shaft set screw and pour some thread adhesive (loctite 242 or equivalent) on the key (#550186) and keyway through tapped hole. Reinstall and tighten set screw (#5001167);
11. Install fan belts and adjust tension as described in Maintenance Manual, section 05 under "Radiator Fan Belt Replacement".

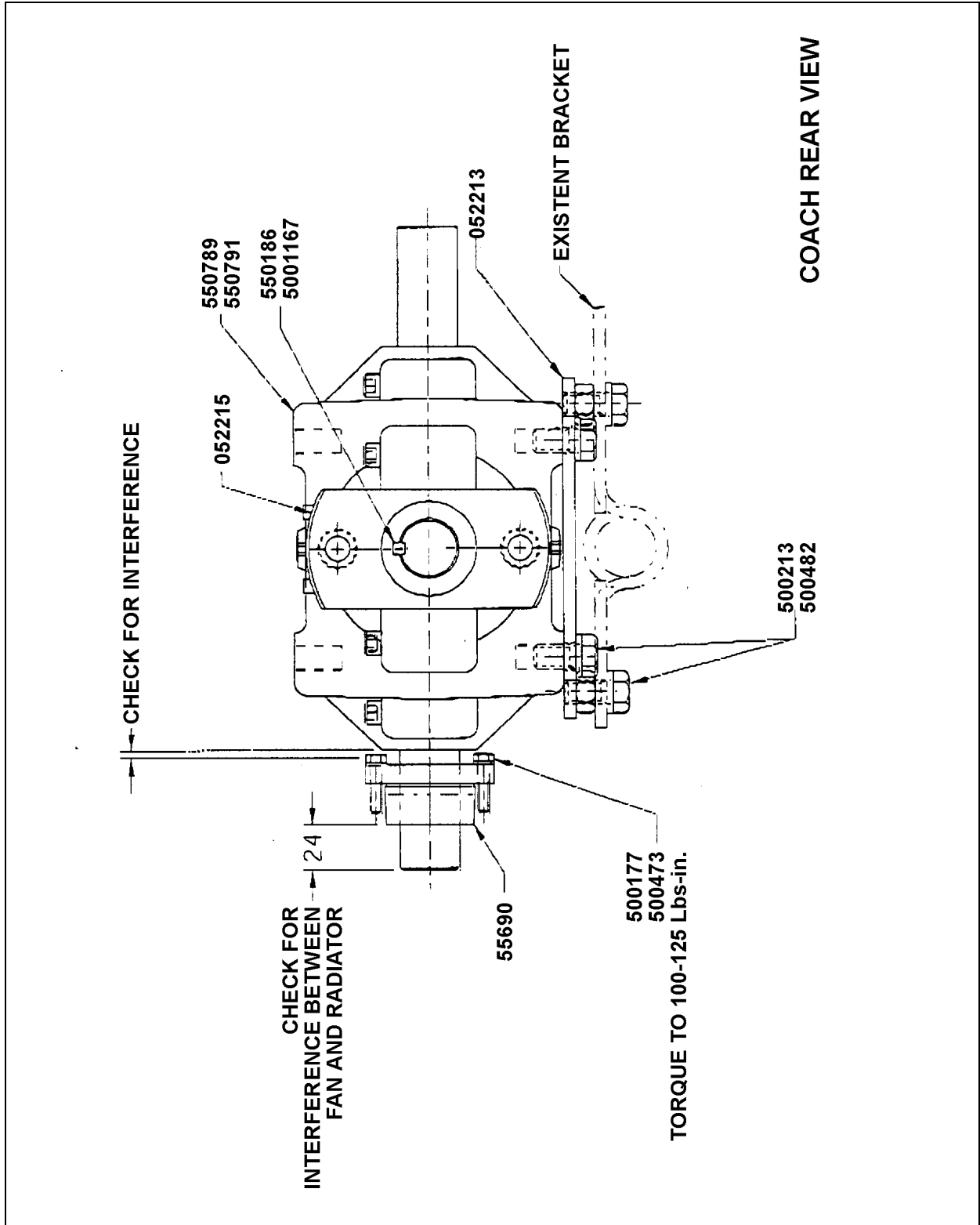


FIGURE 1 : COOLING FAN GEARBOX ASSEMBLY