

# PREVOST

## Instruction Sheet

## IS-98034

### NIGHT LIGHT INSTALLATION IN LAVATORY

#### MATERIAL

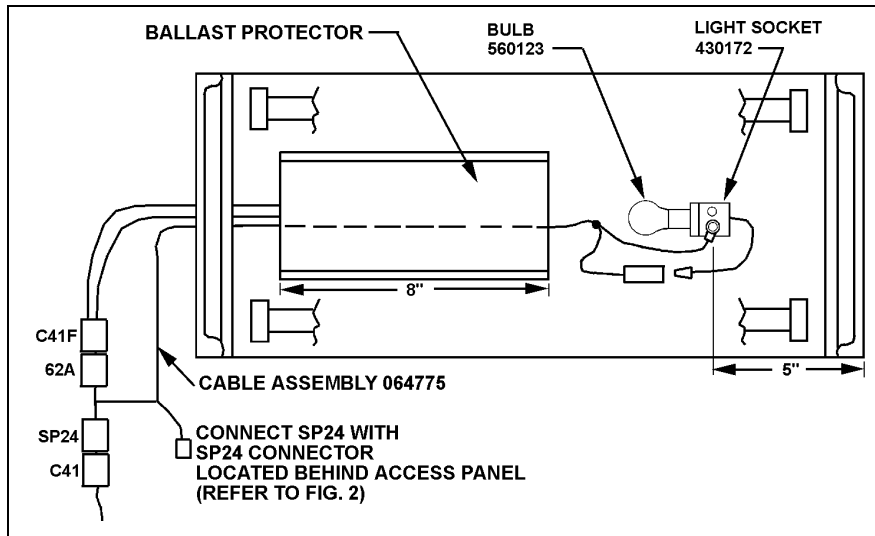
Kit #064810 includes the following parts :

Part No.	Description	Qty
064775	Cable assembly, Interconnection	1
064776	Cable assembly, Relay	1
430172	Socket, Light	1
560123	Bulb 12V 4W	1
561790	Circuit Breaker 6A	1
561707	Relay 24V	1
500638	Screw, metal ½ - 8	2
IS-98034	Instruction Sheet	1
FI-98034	Feuille d'instructions	1

#### PROCEDURE

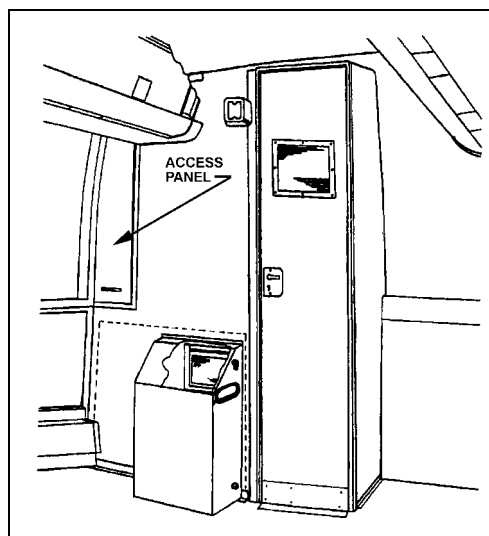
**Warning :** Park vehicle safely, apply parking brake, stop engine and set battery master switch(es) to the OFF position prior to working on the vehicle.

1. In the lavatory, remove fluorescent lighting lens then remove six fixing screws. Disconnect fluorescent lighting C41F connector from vehicle cable assembly C41 connector (refer to figure 1).
2. Carefully remove the two fluorescent tubes then the ballast protector. Cut or saw the ballast protector to a length of 8 inches (20 cm), secure light socket (Prévost #430172) using two screws about 5 inches (13 cm) from lighting R.H. side as shown in figure 1 then fix bulb (Prévost #560123) into socket.
3. Insert interconnection cable assembly (Prévost #064775) into fluorescent lighting grommet and connect yellow wire with light socket wire. Secure OH black wire terminal lug using one of light socket fixing screws.
4. Connect interconnection cable assembly 62A and SP24 connectors with previously connected C41 and C41F connectors as shown in figure 1. Route SP24 grey connector towards access panel located outside lavatory (refer to figure 2). Secure cable assembly using cable ties.



**FIGURE 1 : FLUORESCENT LIGHTING**

5. Reinstall ballast protector and fluorescent tubes. Secure fluorescent lighting to lavatory ceiling using six previously removed screws then install lens.
6. Remove access panel fixing screws finishing cap. Remove screws and access panel, connect SP24 connectors together then replace access panel.



**FIGURE 2 : ACCESS PANEL**

7. Open rear electrical compartment, locate on the rear junction box lower panel the 12 volts circuit breaker fixing block. Unfasten fixing block and install CBT1 circuit breaker (Prévost #561790). Reinstall fixing block (refer to figure 3).
8. Using relay cable assembly (Prévost #064776), secure 12N and 12IN terminal lugs onto circuit breaker terminals and 12IN and 0 lugs onto B and O terminals respectively. Route cable assembly as shown in figure 3. Secure using cable ties.
9. Install RT1 relay bracket onto rear junction box upper panel and fix RT1 relay (Prévost #561707) to its bracket. Cut cable assembly 62E red wire end connector and solder wire to 62E red wire connecting C181 connector with VIM4 relay.
10. Connect SP24 grey connector with SP24 connector located next to C35 connector which is installed on rear electrical compartment ceiling. Secure using cable ties.

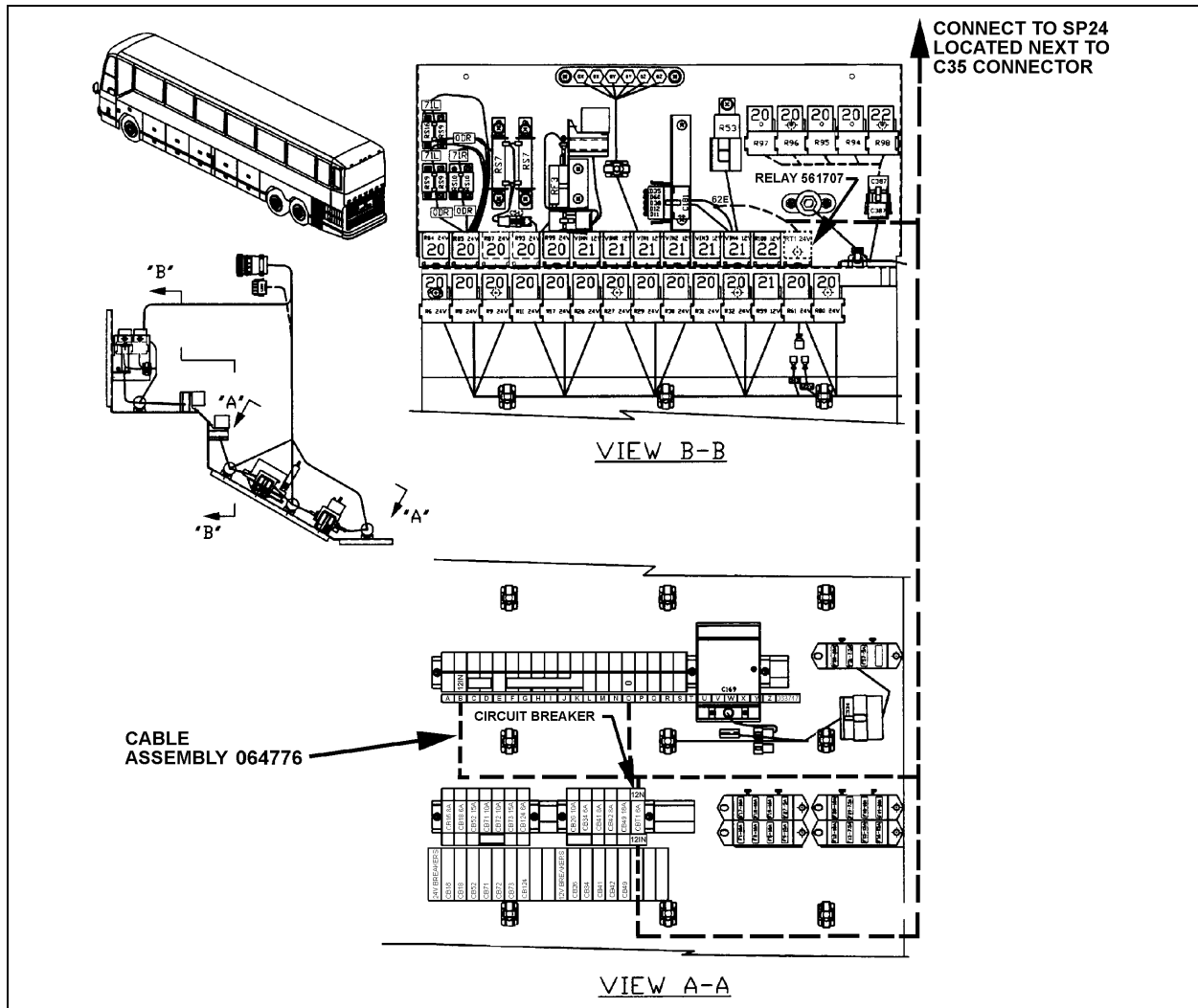
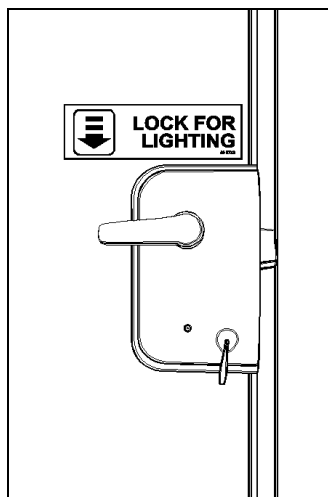


FIGURE 3 : REAR ELECTRICAL COMPARTMENT JUNCTION BOX

**Note :** Locking the door from inside will illuminate the ceiling fluorescent lighting plus outside signs which are mounted on the outer wall of lavatory, over the windshield and an indicator light on the dashboard. The night light will always be illuminated when the ignition switch is in the "ON" position (refer to fig. 4).



---

**FIGURE 4 : DOOR LOCK**

