

### Side marker and halogen lights waterproofing

#### MATERIAL

Kit # 430501 includes the following parts:

Part No.	Description	Qty
683096	Sika 205	250 ml
680532	Sika 221	1
430475	Grommet	4
430500	Plate	7
IS-98053	Instruction Sheet	1
FI-98053	Feuille d'instructions	1

#### PROCEDURE

**Warning:** Park vehicle safely, apply parking brake, stop engine and set battery master switch(es) to the OFF position prior to working on the vehicle.

**Warning:** Handling Sika may irritate the skin. Wear gloves when using this product.

#### A. Side Marker Lights on Baggage Compartments (items 1 and 4 on figure 1)

Proceed with steps 1 to 10 for the marker light #1 on figure 1, then repeat the same procedure for side marker light #4 on figure 1.

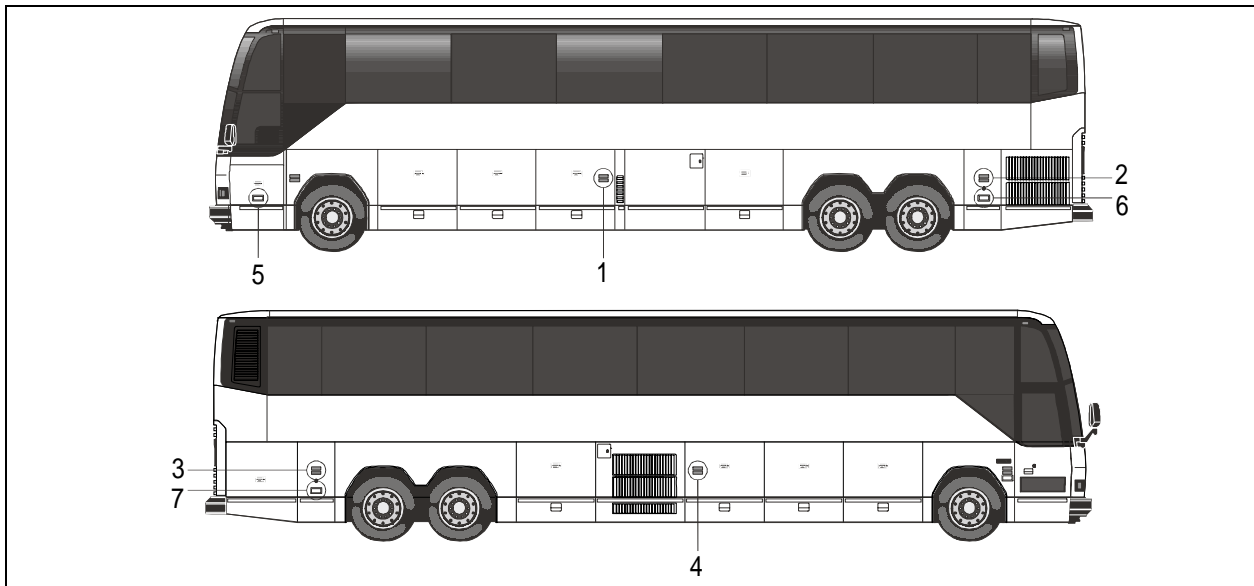
1. Open the baggage compartment, as shown on figure 1 (item 1 or 4);
2. Remove the side marker light, unplug connectors and remove wires from clearance holes;
3. Clean two #430500 plates with Sika 205, as shown on figure 2. Use a lint free cloth (Chix cloth, for instance). Let dry for 2 minutes;
4. Clean the clearance holes with Sika 205, as presented on figure 3. Once again use a lint free cloth. Let dry for 2 minutes;
5. Insert the electrical wires in the clearance holes. Make sure 3 inches (7,5 cm) of the electrical wire exceed on the compartment exterior;

**Note:** For the wires' positioning:

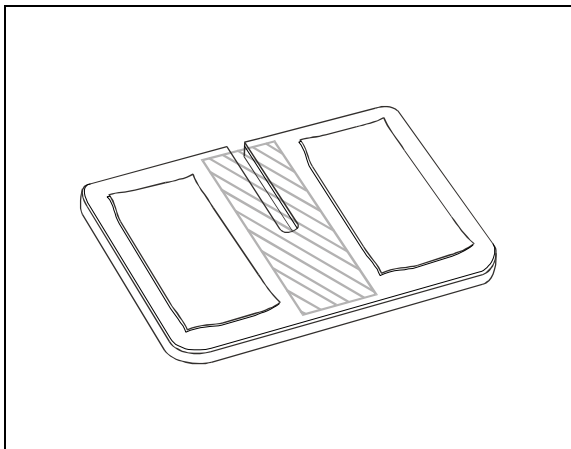
If wires have both an even or an odd tag number, the wire with the higher number goes in the upper grommet ;

If one wire has an odd tag number and the other has an even one, the wire with the odd tag number goes in the upper grommet.

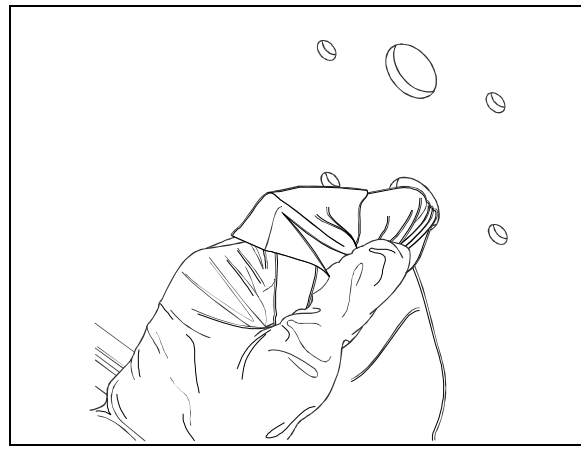
6. Remove one plate's double face tape protectors. Insert the electrical wire in the plate's slot. Repeat for the other plate;
7. Affix one plate over the clearance hole on the compartment door inner wall. Affix another plate over the second clearance hole. Refer to figure 4 for further details about the plates positioning;
8. Once steps 6 and 7 are completed, fill the clearance holes up with Sika 221. For a greater waterproofness, ensure Sika 221 goes all around the clearance holes and in between electrical wires;
9. Connect electrical wires to the side marker light;
10. Install the side marker light in its housing and screw to the compartment door.



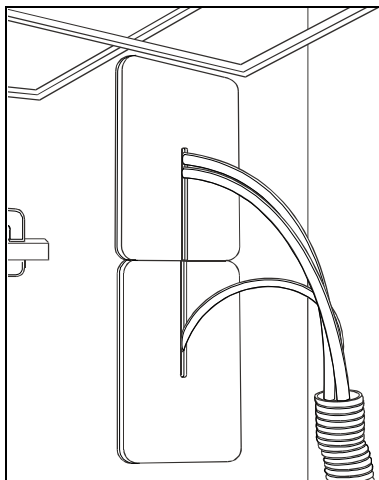
**Figure 1:** Side marker lights (items 1 to 4) and halogen lights (items 5 to 7) typical positioning.



**Figure 2:** Plate. The dashed zone indicates where to clean the plate.



**Figure 3:** Clearance hole cleaning.



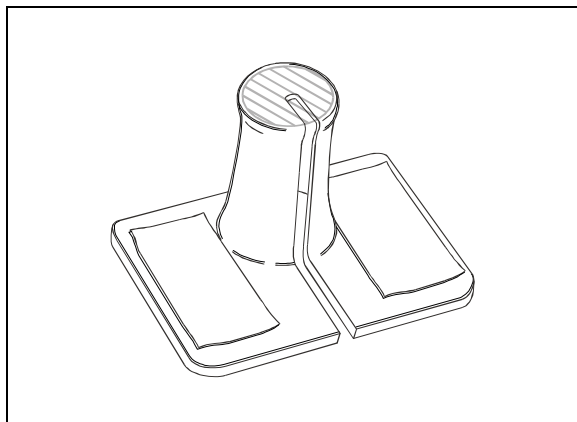
**Figure 4:** Plates positioning on the compartment door inner wall.

### **B. Side marker light on rear electrical compartment and main power compartment doors (refer to items 2 and 3 on figure 1)**

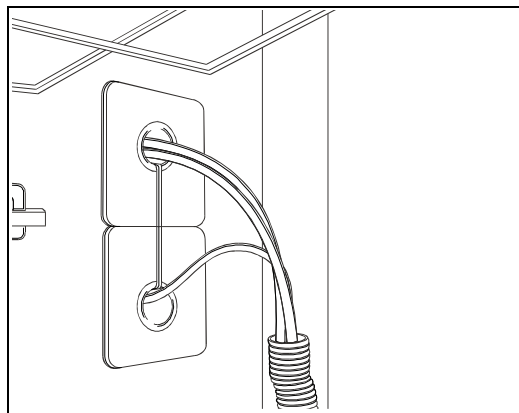
Proceed with steps 1 to 10 for the marker light #2 on figure 1, then repeat the same procedure for side marker light #3 on figure 1.

**Note:** Because of the clearance holes' thickness, use grommets #430475 for the following 10 steps.

1. Open the compartment, as shown on figure 1 (item 2 or 3);
2. Remove the side marker light, unplug connectors and remove wires from clearance holes;
3. Clean two #430475 grommets with Sika 205, as shown on figure 5. Use a lint free cloth (Chix cloth, for instance). Let dry for 2 minutes;



**Figure 5:** Grommet. The dashed zone indicates where to clean the grommet.



**Figure 6:** Grommets positioning on the compartment door inner wall.

4. Clean the clearance holes with Sika 205, as presented on figure 3. Once again use a lint free cloth. Let dry for about 2 minutes;
5. Insert the electrical wires in the clearance holes. Make sure 3 inches (7,5 cm) of the electrical wire exceed on the compartment exterior;

---

**Note:** For the wires' positioning:

*If wires have both an even or an odd tag number, the wire with the higher number goes up;*

*If one wire has an odd tag number and the other one has an even one, the odd one goes above the other.*

6. Remove one plate's double face tape protectors. Insert the electrical wire in the grommet slot. Repeat for the second grommet;
7. Affix one grommet over the clearance hole on the compartment door inner wall. Affix another grommet over the second clearance hole. Refer to figure 6 for further details about the grommets' positioning;
8. Once steps 6 and 7 are completed, fill the clearance holes up with Sika 221. For a greater waterproofness, ensure Sika 221 goes all around the clearance holes and in between electrical wires;
9. Connect electrical wires to the side marker light;
10. Install the side marker light in its housing and screw to the compartment door.

### **C. Halogen lights (items 5 to 7 on figure 1)**

*The procedure is identical for all halogen lights. Proceed with steps 1 to 10 for the halogen light #5 on figure 1, then repeat the same procedure for halogen lights #6 and #7 on figure 1.*

1. Open the compartment door (figure 1, items 5 to 7);
2. Remove the halogen light, unplug connectors and remove wires from clearance holes;
3. Clean one #430500 plate with Sika 205, as shown on figure 2. Use a lint free cloth (Chix cloth, for instance). Let dry for 2 minutes;
4. Clean the clearance hole with Sika 205, as presented on figure 3. Once again use a lint free cloth. Let dry for about 2 minutes;
5. Insert the electrical wires in the clearance hole. Make sure 3 inches (7,5 cm) of the electrical wire exceed on the compartment exterior;
6. Remove the plate's double face tape protectors. Insert the electrical wire in the plate slot;
7. Affix one plate over the clearance hole on the compartment door inner wall;
8. Once steps 6 and 7 are completed, fill the clearance hole up with Sika 221. For a greater waterproofness, ensure Sika 221 goes all around the clearance hole and in between electrical wires;
9. Connect electrical wires to the halogen light;
10. Install the halogen light in its housing and screw to the compartment door.