

PREVOST

Instruction Sheet

IS-00032A

INSTALLATION OF DOUBLE BLOWER FAN UNIT 2-SPEED BRUSHLESS DRIVE MOTOR IN EVAPORATOR COMPARTMENT AND REPLACEMENT OF SPEED CONTROL MODULE BY RELAY TYPE SPEED CONTROL

REVISION : A	THIS INSTRUCTION SHEET SUPERSEDES THE PREVIOUS VERSION.
Drive motor #563008 replaced by brushless drive motor #563586. Part #562953 added.	

NOTE

This instruction sheet is applicable for H3 series vehicle having the "black box" speed control module (see figure 1). For later vehicle version, simply switch the drive motor.

MATERIAL

Kit #065548 includes the following parts :

Part No.	Description	Qty
065087	Cable No. 130 assembly	1
065360	Cable No. 0A assembly	1
382011	Plate, relays support complete with wire 2F	1
563586	Drive motor, 2-speed brushless	1
562953	Splice, butt 14-16 with shrink tubing	1
IS-00032A	Instruction Sheet	1
FI-00032A	Feuille d'instructions	1

PROCEDURE

Warning: Park vehicle safely, apply parking brake, stop engine and set battery master switch(es) to the OFF position prior to working on the vehicle.

1. Open evaporator compartment door.
2. Disconnect cables 0A, 90H & 166B from motor electrical terminal plate (figure 1).
3. Unfasten all screws fixing discharge air ducts to blower fan unit (figure 1).
4. From under vehicle, unfasten eight (8) bolts retaining double blower fan unit base to vehicle.
5. Remove double blower fan unit complete with base (figure 1) from evaporator compartment.
6. Install on a work bench the double blower fan unit complete with base. Unfasten the fan square head set screws, the Phillips head screws retaining one of the two cages to base and slide out the assemblies from the evaporator motor output shaft.

Warning: Never support evaporator motor assembly by its output shafts while moving it. Always use double blower fan unit base.

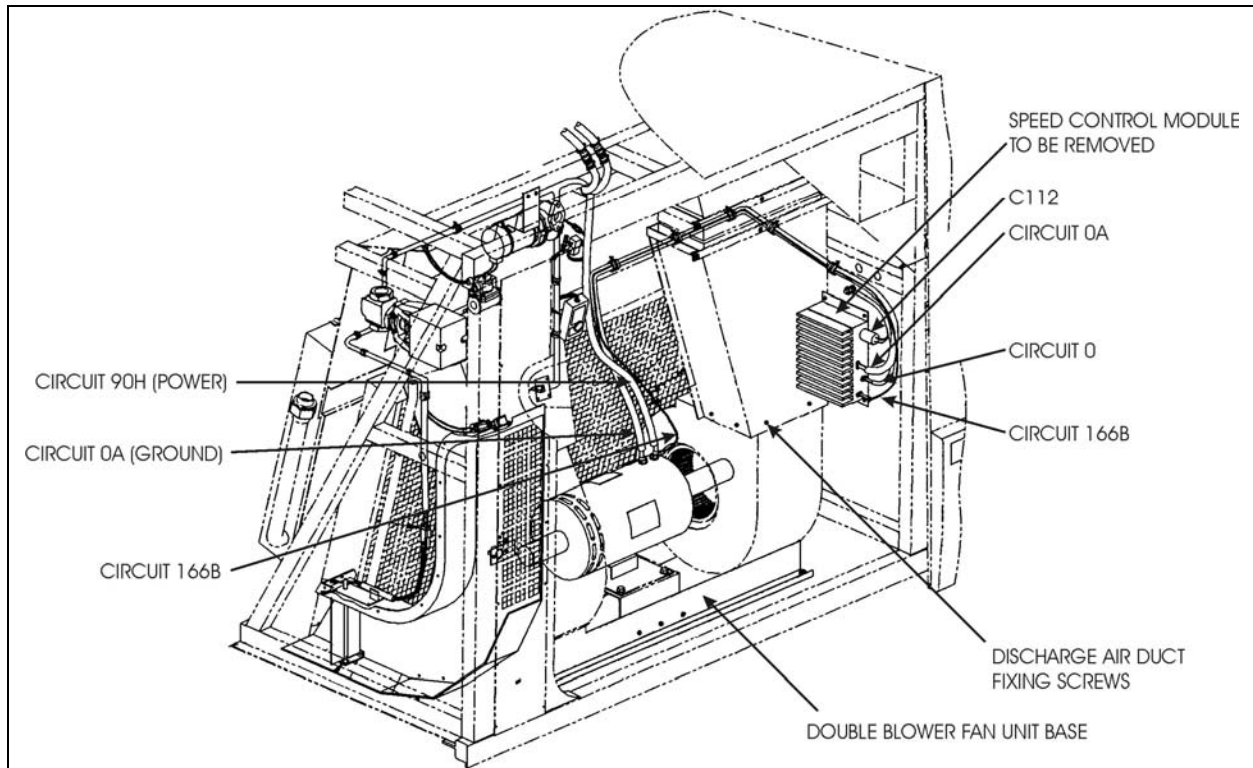


FIGURE 1: EVAPORATOR COMPARTMENT

7. Remove motor from double blower fan unit base.
8. Install new 2-speed drive motor (#563586) onto the double blower fan unit with fan cages and reinstall assembly into the evaporator compartment.
9. Disconnect cables 0, 0A, 166B & connector C112 from speed control module (figure 1).
10. Remove speed control module (figure 1).
11. Remove cable ties then discard red cable 166B.
12. Install relay plate (#382011) in place of speed control module.
13. Route cable no. 0A (#065360) and cable no. 130 (#065087) between motor terminals and relay plate. Connect cables as shown in figures 3 and 5. Also route wire 2F between relay plate and motor terminals.
14. At connector C112, change circuit WC name for 2E (figure 3).
15. At the A/C logic panel (located in the condenser compartment or the L.H. side rear electrical compartment), disconnect circuit WC. Rename circuit WC for 2E and connect to COOL 2 N.O. (normally open) tab terminal (figure 4).

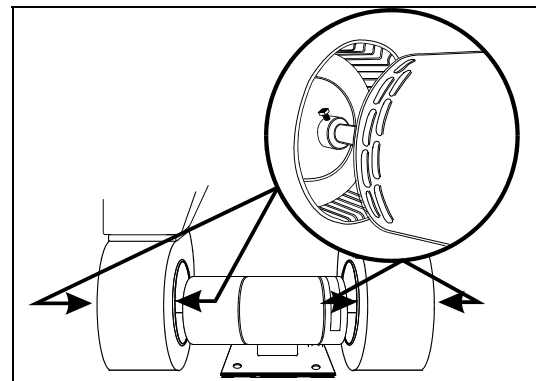


FIGURE 2: FIXING FAN BLOWERS TO OUTPUT SHAFTS

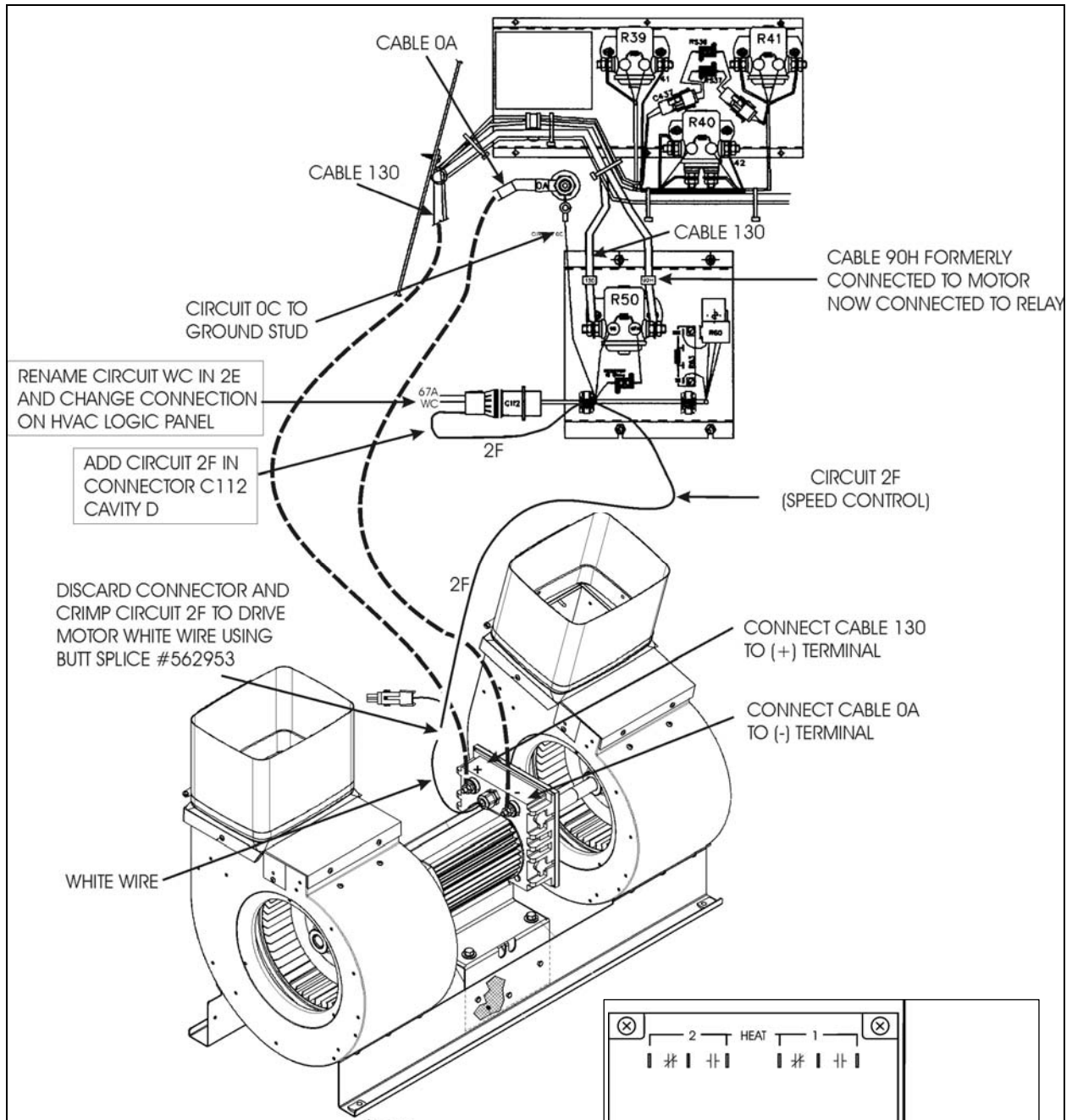


FIGURE 3: DOUBLE BLOWER FAN UNIT

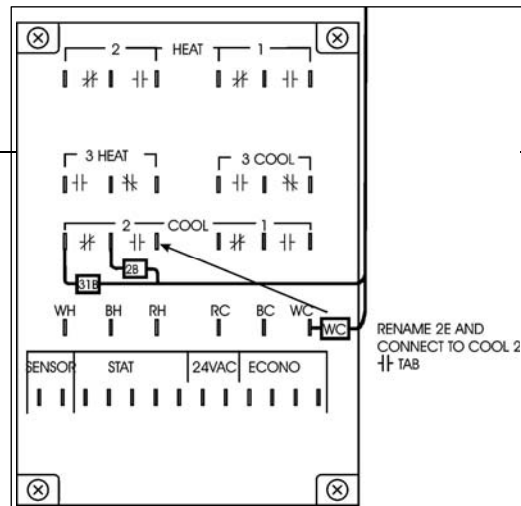
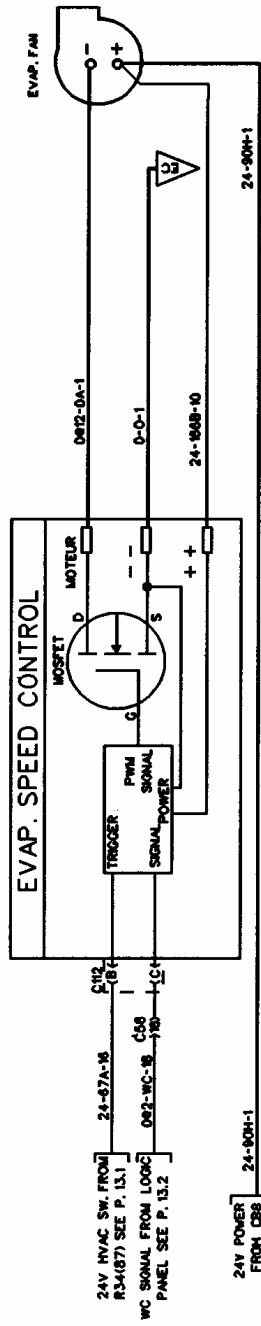


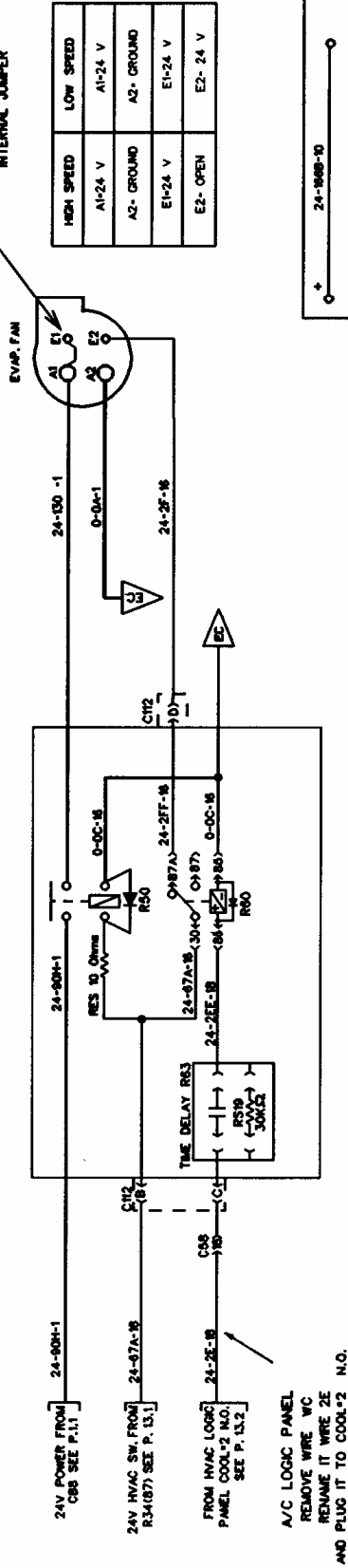
FIGURE 4: A/C LOGIC PANEL

PREVIOUS INSTALLATION



EVAPORATOR FAN

NEW INSTALLATION



EVAPORATOR FAN (2 SPEED)

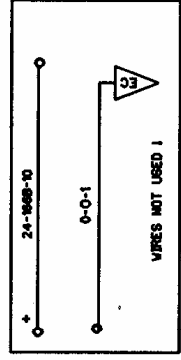


FIGURE 5: WIRING DIAGRAM