

PREVOST

Instruction Sheet

IS-98107B

MODIFICATION OF PASSENGERS SEATS

Revision B :

Material lists have been modified.

MATERIAL

Kit #363781 enables the modification of one pair of Silhouette, Tourismo or Ultra seats on the right-hand side of the coach (on the entrance door side). This kit includes the following parts:

Part No.	Description	Qty
363772	Operating knob assembly for the aisle seat	1
363829	Operating knob assembly for the window seat	1
363779	Mechanism cover	1
500557	Machine screw, stainless steel, #8 x 3/8	2
363778	Spindle	2
500483	Lock washer, 9/16	2
500721	Nut, 9/16	2
500690	Nut, NYRT, 1/4-28	2
363782	Left mechanical cylinder assembly	1
363783	Right mechanical cylinder assembly	1
861444	Cable	2
861486	Spring clip	1
500692	Nut, 1/4-28	4
500181	Cap screw, 5/16-18 x 1	2
500476	Lock washer, 5/16	4
500778	Nut, 5/16	2
IS-98107B	Instruction Sheet	1
FI-98107B	Feuille d'instructions	1

Kit #363784 enables the modification of one pair of Silhouette, Tourismo or Ultra seats on the left-hand side of the coach (the driver's side). This kit includes the following parts:

Part No.	Description	Qty
363773	Operating knob assembly for the aisle seat	1
363830	Operating knob assembly for the window seat	1
363780	Mechanism cover	1
500557	Machine screw, stainless steel, #8 x 3/8	2
363778	Spindle	2
500483	Lock washer, 9/16	2
500721	Nut, 9/16	2
500690	Nut, NYRT, 1/4-28	2
363782	Left mechanical cylinder assembly	1
363783	Right mechanical cylinder assembly	1
861444	Cable	2
861486	Spring clip	1
500692	Nut, 1/4-28	4
500181	Cap screw, 5/16-18 x 1	2
500476	Lock washer, 5/16	4
500778	Nut, 5/16	2
IS-98107B	Instruction Sheet	1
FI-98107B	Feuille d'instructions	1

Kit #363785 enables the modification of one pair of rear Silhouette, Tourismo or Ultra seats. This kit includes the following parts:

Part No.	Description	Qty
363829	Operating knob for the right seat	1
363830	Operating knob for the left seat	1
363779	Mechanism cover, right	1
363780	Mechanism cover, left	1
500557	Machine screw, stainless steel, #8 x 3/8	2
363778	Spindle	2
500483	Lock washer, 9/16	2
500721	Nut, 9/16	2
500690	Nut, 1/4-28 NYRT	2
363782	Left mechanical cylinder assembly	1

Part No.	Description	Qty
363783	Right mechanical cylinder assembly	1
861444	Cable	2
861486	Spring clip	2
500692	Nut, 1/4-28	4
500181	Cap screw, 5/16-18 x 1	2
500476	Lock washer, 5/16	4
500778	Nut, 5/16	2
IS-98107B	Instruction Sheet	1
FI-98107B	Feuille d'instructions	1

Kit #363786 enables the modification of one pair of Silhouette, Turismo or Ultra rotating seats. This kit includes the following parts:

Part No.	Description	Qty
363773	Operating knob for the right seat	1
363772	Operating knob for the left seat	1
500557	Machine screw, stainless steel, #8 x 3/8	2
363778	Spindle	2
500483	Lock washer, 9/16	2
500721	Nut, 9/16	2
500690	Nut, 1/4-28 NYRT	2
363782	Left mechanical cylinder assembly	1
363783	Right mechanical cylinder assembly	1
861444	Cable	2
861486	Spring clip	2
500692	Nut, 1/4-28	4
500181	Cap screw, 5/16-18 x 1	2
500476	Lock washer, 5/16	4
500778	Nut, 5/16	2
IS-98107B	Instruction Sheet	1
FI-98107B	Feuille d'instructions	1

Kit #363909 enables the modification of one pair of VIP seats on the right-hand side of the coach (on the entrance door side). This kit includes the following parts:

Part No.	Description	Qty
363772	Operating knob for the aisle seat	1
363829	Operating knob for the window seat	1
363857	Right mechanism cover, large	1
500557	Machine screw, stainless steel, #8 x 3/8	2
363778	Spindle	2
500483	Lock washer, 9/16	2
500721	Nut, 9/16	2
500690	Nut, NYRT, 1/4-28	2
363782	Left mechanical cylinder assembly	1
363783	Right mechanical cylinder assembly	1
861444	Cable	2
861486	Spring clip	1
500692	Nut, 1/4-28	4
500181	Cap screw, 5/16-18 x 1	2
500476	Lock washer, 5/16	4
500778	Nut, 5/16	2
IS-98107B	Instruction Sheet	1
FI-98107B	Feuille d'instructions	1

Kit #363910 enables the modification of one pair of VIP seats on the left-hand side of the coach (driver's side). This kit includes the following parts:

Part No.	Description	Qty
363773	Operating knob for the aisle seat	1
363830	Operating knob for the window seat	1
363856	Left mechanism cover, large	1
500557	Machine screw, stainless steel, #8 x 3/8	2
363778	Spindle	2
500483	Lock washer, 9/16	2
500721	Nut, 9/16	2
500690	Nut, NYRT, 1/4-28	2
363782	Left mechanical cylinder assembly	1

Part No.	Description	Qty
363783	Right mechanical cylinder assembly	1
861444	Cable	2
861486	Spring clip	1
500692	Nut, 1/4-28	4
500181	Cap screw, 5/16-18 x 1	2
500476	Lock washer, 5/16	4
500778	Nut, 5/16	2
IS-98107B	Instruction Sheet	1
FI-98107B	Feuille d'instructions	1

Kit #363911 enables the modification of a single VIP seat on the right-hand side of the coach (entrance door side). This kit includes the following parts:

Part No.	Description	Qty
363772	Operating knob assembly	1
500557	Machine screw, stainless steel, #8 x 3/8	1
363778	Spindle	1
500483	Lock washer, 9/16	1
500721	Nut, 9/16	1
500690	Nut, NYRT, 1/4-28	1
363782	Left mechanical cylinder assembly	1
861444	Cable	1
861486	Spring clip	1
500692	Nut, 1/4-28	2
500181	Cap screw, 5/16-18 x 1	1
500476	Lock washer, 5/16	2
500778	Nut, 5/16	1
IS-98107B	Instruction Sheet	1
FI-98107B	Feuille d'instructions	1

Kit #363912 enables the modification of a single VIP seat on the left-hand side of the coach (the driver's side). This kit includes the following parts:

Part No.	Description	Qty
363773	Operating knob assembly	1
500557	Machine screw, stainless steel, #8 x 3/8	1
363778	Spindle	1
500483	Lock washer, 9/16	1
500721	Nut, 9/16	1
500690	Nut, NYRT, 1/4-28	1
363783	Right mechanical cylinder assembly	1
861444	Cable	1
861486	Spring clip	1
500692	Nut, 1/4-28	2
500181	Cap screw, 5/16-18 x 1	1
500476	Lock washer, 5/16	2
500778	Nut, 5/16	1
IS-98107B	Instruction Sheet	1
FI-98107B	Feuille d'instructions	1

PROCEDURE

Warning : Park vehicle safely, apply parking brake, stop engine and set battery master switch(es) to the OFF position prior to working on the vehicle.

FIXED SEATS

1.0 Seats removal:

It is recommended to remove the seats from the vehicle prior to working on them.

Note: Seats on one row are not interchangeable with seats of another row.

1. Remove the mechanism cover located along the window and the plastic covers behind the seats, on the lower part of the seats' back.
2. Lift front part of the cushions and remove them. Remove two cap screws, nuts and washers holding seat frame to side wall and retain the two holding brackets. See figure 1.
3. Remove two nuts and washers holding seat frame to base rods. See figure 2.

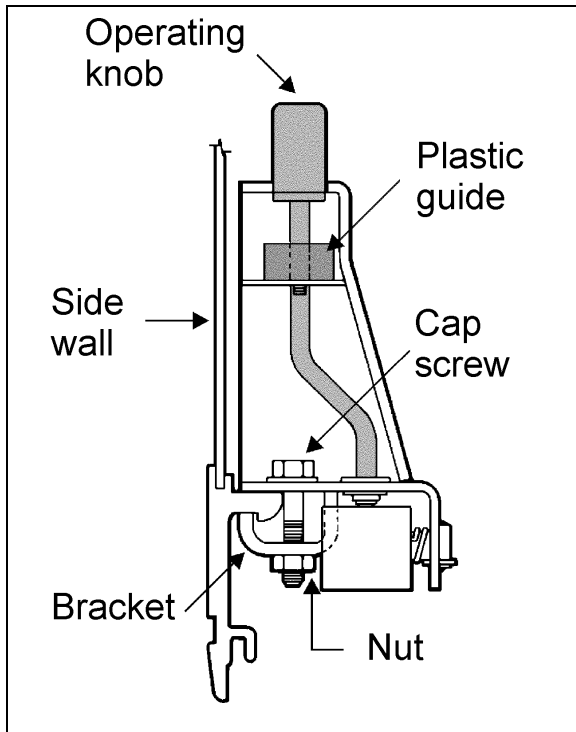


Figure 1: View of the existing mechanism. Shaded parts must be removed.

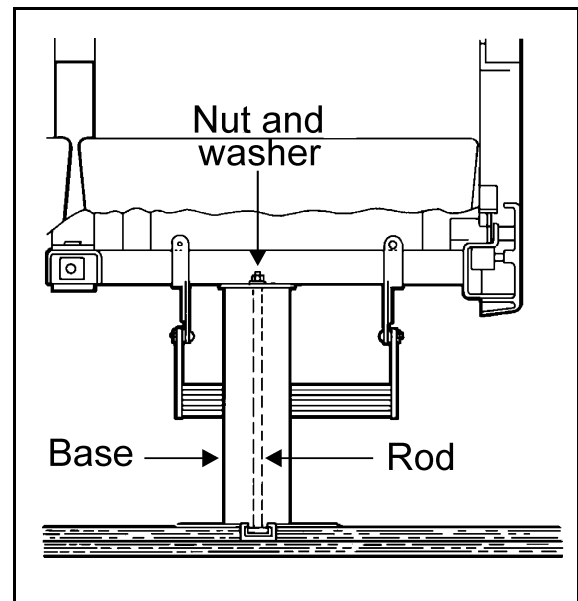


Figure 2: Front view of the fixed seats' base.

1.1 Seats located along the windows:

4. Remove the existing mechanism:

- Remove the existing control knob, the plastic guide and the metallic rod (see shadowed parts of figure 1);
- Remove the screw, the spring and the triangular lever that activated the cylinder (figure 3, item 1);
- Remove the existing cylinder (figure 3, item 2);
- Completely remove the cylinder's spindle in order to clear the hole (figure 3, item 3). Remove by grinding the weld behind the support plate and then hitting the spindle with a hammer.

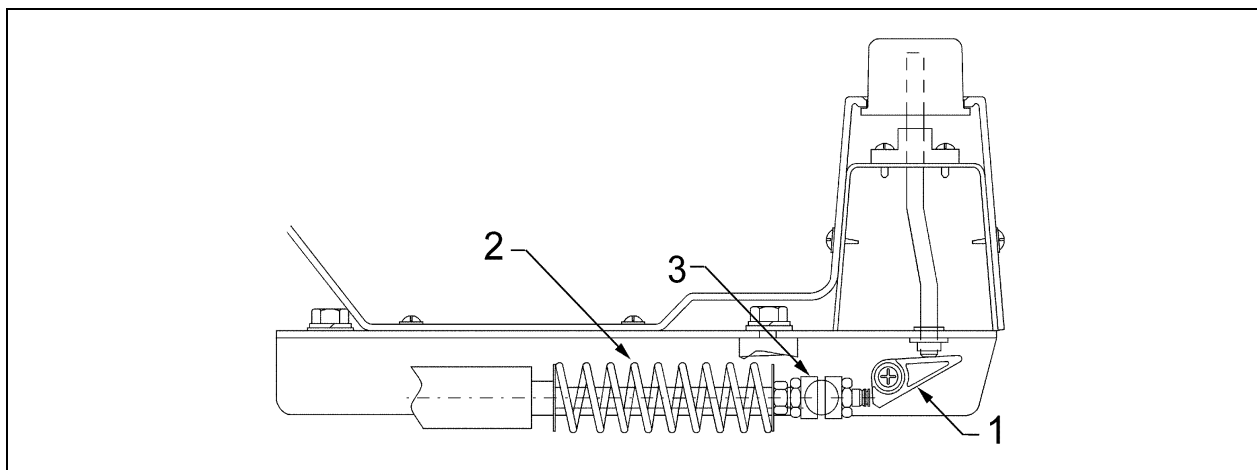


Figure 3: Existing mechanism. (1) Triangular lever to remove; (2) Existing cylinder to remove; (3) Spindle

23251

5. New mechanism installation:

- Drill a 13 mm (0.5 in) diameter hole into the lateral metallic structure of the seats, as shown on figure 4. Drill approximately in the middle of the structure, at 60 mm (2.5 in) from the knob support;
- Drill a 7 mm (1/4 in) diameter hole, as shown on figure 4;

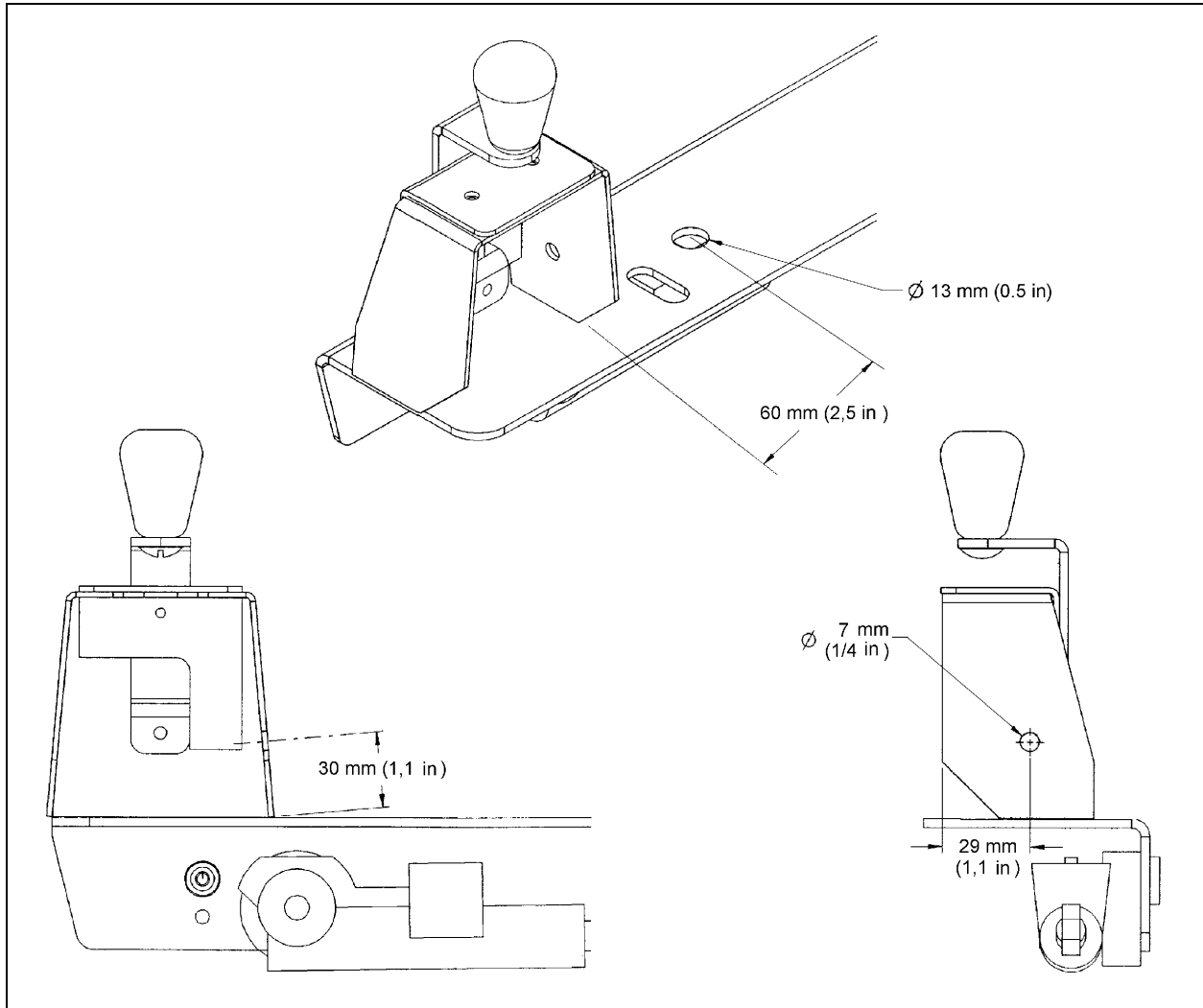


Figure 4: Location of the holes to drill.

23239

- Install the new spindle (figure 5) into the hole cleared previously. Fasten the wider side using a 9/16 washer and nut;

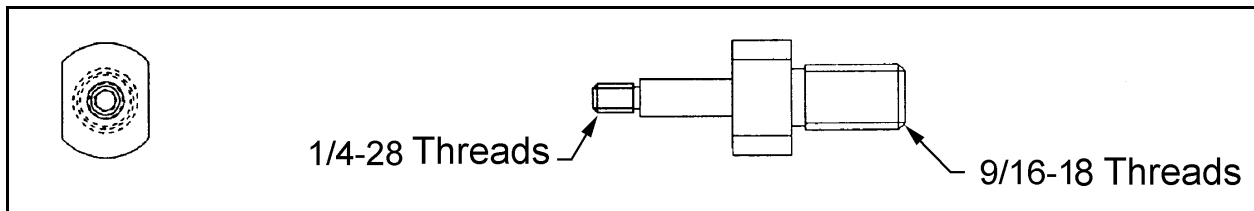


Figure 5: New spindle.

- Fix the cylinder to its spindle using a 1/4-28 nyrt nut (#500690);

- Fix the cylinder rear part to the metallic structure of the seat with a 5/16-18 x #1 bolt (# 500181). Add a #500476 washer on both sides of the bolt. Do not overtighten the screw otherwise the mechanism will not work properly;
- Install the new operating knob on its support;
- Install #861444 cable: partially install #861486 spring nut on the cylinder (figure 7, item 1) then insert the cable's plate (figure 6, item 1) into the spring nut. Push completely the spring nut in place. Fix the cable's ball end (figure 6, item 2) into the cylinder's slot (figure 7, item 2);

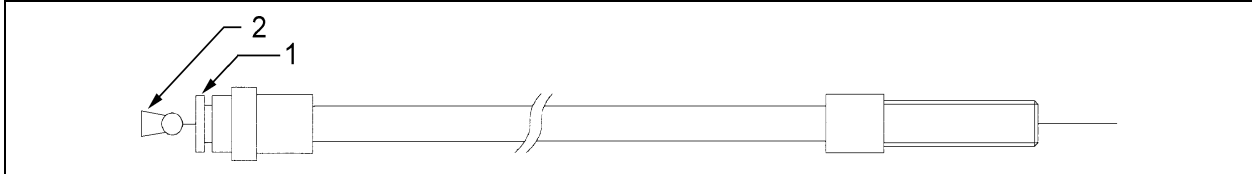


Figure 6: Cable. (1) Plate to be inserted into the cylinder's spring nut; (2) Ball end to be fixed on the cylinder.

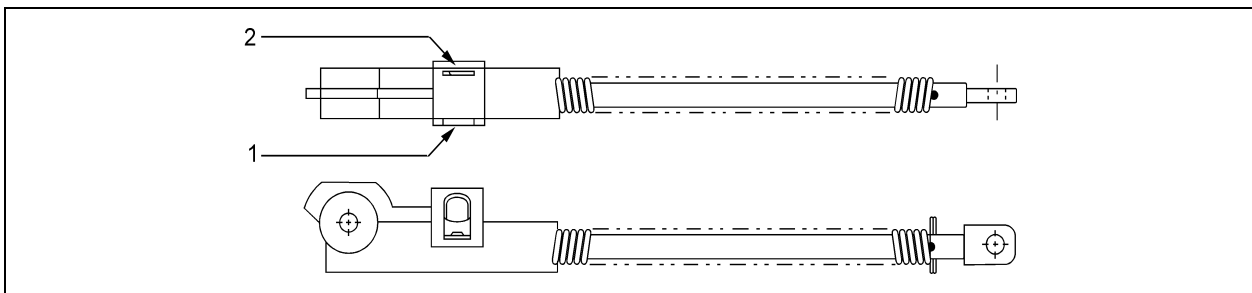


Figure 7: Cylinder. (1) #861486 spring nut; (2) Slot.

- Route the cable's threaded end into the 13 mm (0.5 in) diameter hole made previously and fix it to the 7 mm (¼ in) diameter hole using two ¼-28 (#500692) nuts (figure 8, item 2);
- Secure the cable around a #8 x 3/8 screw mounted on the lever of the operating knob (figure 8, item 3);

Note: The cable needs to be slightly tightened to ensure the good working order of the mechanism. Adjust the cable tightness using the nuts (figure 8, item 2) on the cable's threaded end.

- Install the new plastic mechanism cover.

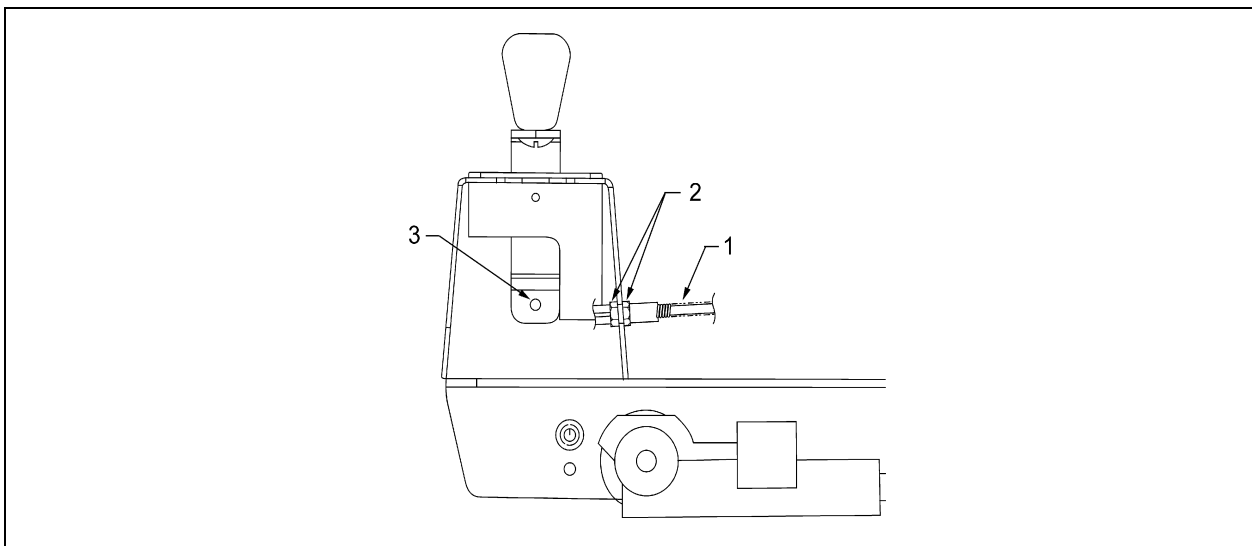


Figure 8: Side view of the new operating knob. (1) Cable; (2) Nuts; (3) Hole in which a screw will hold the cable.

1.2 Seats located along the aisle:

4. Remove the armrest.
5. Remove the existing mechanism:
 - Remove the operating knob and its metal plates (figure 9, item 1);
 - Remove screw, spring and triangular lever that activated the cylinder (figure 9, item 2);
 - Remove the existing cylinder;
 - Completely remove the cylinder's spindle in order to clear the hole (figure 3, item 3). Remove by grinding the weld behind the support plate and then hitting the spindle with a hammer.

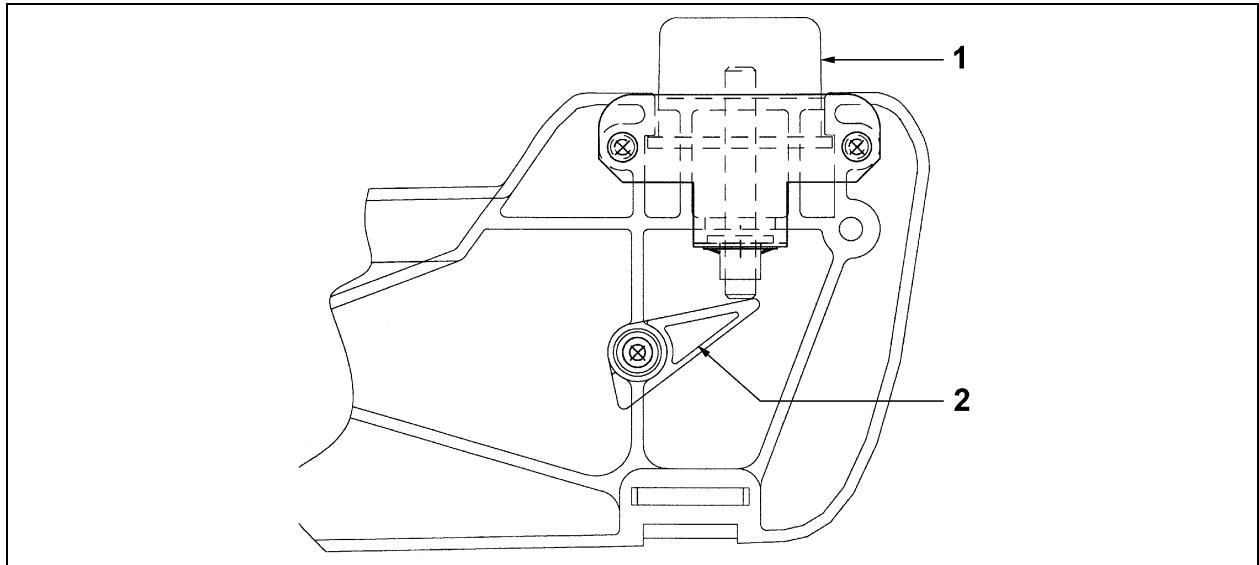


Figure 9: Existing mechanism to remove. **(1)** Operating knob to be removed; **(2)** Triangular lever that activated the cylinder.

6. Install the new mechanism:
 - Fix the new spindle (figure 5) into the hole cleared previously. Fix the larger diameter's side of the spindle with a 9/16 washer and nut;
 - Fix the cylinder on its spindle using a ¼-28 nyrt nut (#500690);
 - Fix the other end of the cylinder to the metallic structure using a 5/16-18 x 1 bolt (# 500181). Add a #500476 washer on both sides of the bolt. Do not overtighten the nut otherwise the mechanism will not work properly;
 - Install #861444 cable on the cylinder: Partially fix the spring nut on the cylinder (figure 7, item 1) then insert the cable's plate (figure 6, item 1) into the spring nut. Push the spring nut completely in place. Fix the cable's ball end (figure 6, item 2) into the cylinder's slot (figure 7, item 2);
 - Fix the cable's threaded end to the control knob's support (figure 10, item 1) using two ¼-28 nuts. Secure the cable around a #8 x 3/8 screw to be fixed onto the lever (figure 10, item 2);

Note: The cable needs to be slightly tightened to ensure the good working order of the mechanism. Use both ¼-28 nuts mounted on the cable's threaded end to do so.

- Fix the new control knob to the mechanism cover.

7. Re-install the armrest.

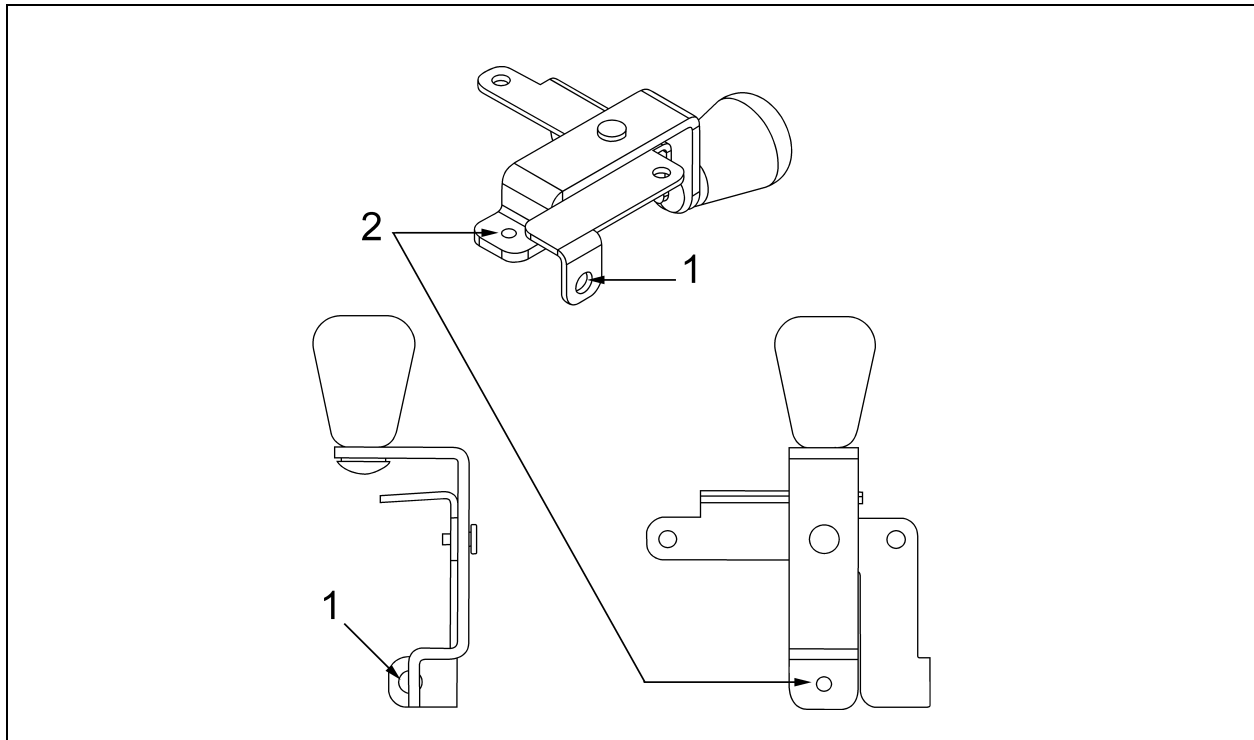


Figure 10: New operating knob assembly. **(1)** Hole in which the cable's threaded end has to be fixed; **(2)** Hole in which a #8 x 3/8 screw will hold the cable.

REAR SEATS:

The rear seats modification may be performed following the same procedure as for the window seats.

ROTATING SEATS:

The modification of the rotating seats may be performed following the same procedure as for the aisle seats. However, the removal of the seats is not necessary.

Parts disposition :

- Discard according to applicable environmental regulations (Municipal/State[Prov.]/ Federal).