

PREVOST

Instruction Sheet

IS-2000206

REPLACEMENT OF BLAUPUNKT, SONY OR PIONEER AMPLIFIER(S) WITH RCF AMPLIFIERS

THIS INSTRUCTION SHEET SUPERSEDES INSTRUCTION SHEET 96185.

MATERIAL

Kit #405219 includes the following parts.

Part No.	Description	Qty
901023	Amplifier, RCF 4 x 20W	1
403917	Cable, 8-DIN / 4-RCA + remote	1
500883	Screw TC Bdg Ph ZP 8-32x3/8	4
560488	Terminal, female unisolated	9
561539	Terminal, female isolated	2
561540	Terminal, male isolated	2
062490	Heat shrink tubing	3
404475	Connecting wire, PA REI	1
900671	Y adapter, RCA	1
IS-2000206	Instruction Sheet	1
FI-2000206	Feuille d'instructions	1

XL-40 COACHES

Warning: Park vehicle safely, apply parking brake, stop engine and set battery master switch(es) to the OFF position prior to working on the vehicle.

1. Set the battery safety switch to the "OFF" position. Refer to Section 6 of Maintenance Manual: "Electrical System" for switch location.

2. Remove the screws securing amplifier protection panel (Fig. 1). Remove the panel.

Note: Refer to figure 10 for wiring diagram of amplifiers installation.

3. Disconnect wiring connectors from both sides of amplifier (identify wiring to facilitate reinstallation).

4. Remove the screws retaining amplifier to the wall.

5. In amplifiers compartment, locate power supply wires (0 & 12OC), crimp a terminal (Prévost #561539) and a terminal (Prévost #561540) on each wire.

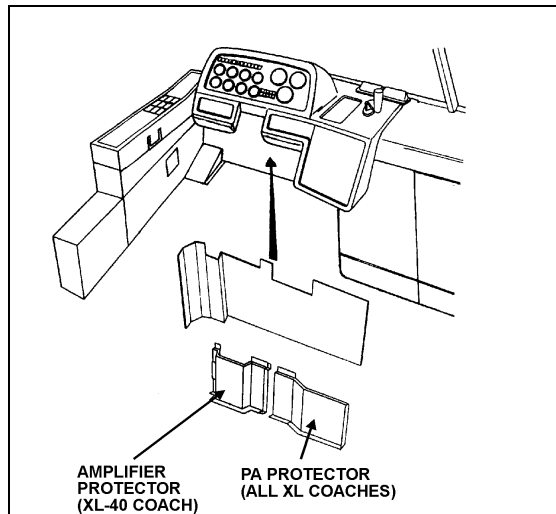


FIGURE 1

23046

6. Locate 8 pin connector, connect cable 8-DIN / 4-RCA (Prévost #403917) to the 8 pin connector (refer to figures 2 and 3). Connect RCA Y adapter (Prévost #900671) between amplifier and 8 pin connector on one of the channels, connect PA REI connecting wire (Prévost #404475) on one of the terminals of Y adapter and ground connecting lug.

Note: Newer version vehicles do not require cable 8-DIN / 4-RCA (Prévost #403917) for the installation.

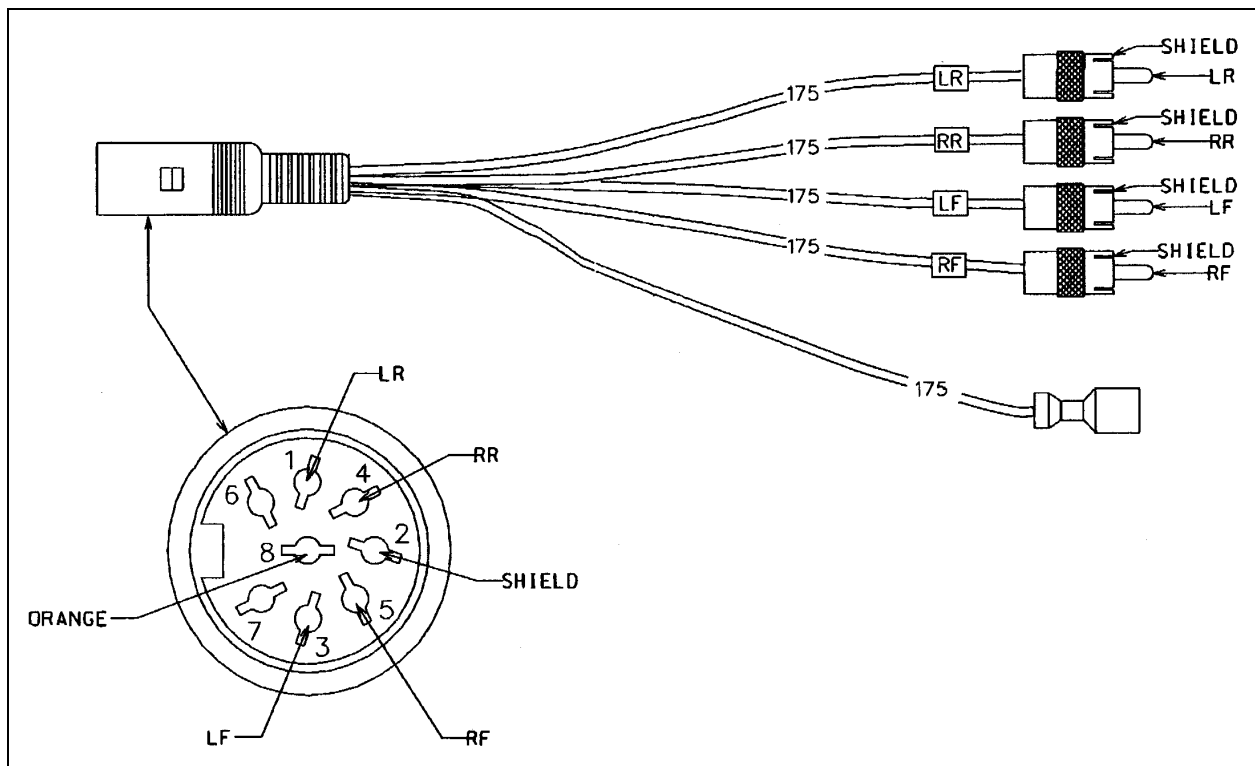


FIGURE 2: CABLE 8-DIN / 4-RCA (PRÉVOST #403917)

7. Disconnect speaker connectors (B1 & A1, B2 & A2, D1 & C1 and D2 & C2) from former amplifier. Cut connectors and crimp specified terminal on each wire (Prévost #560488). Cut heat shrink tubing (Prévost #062490) in four 1-½ inch long pieces and insert a piece over each terminal. Heat shrink each piece of tubing. Connect terminals to matching wires of RCF amplifier connector.

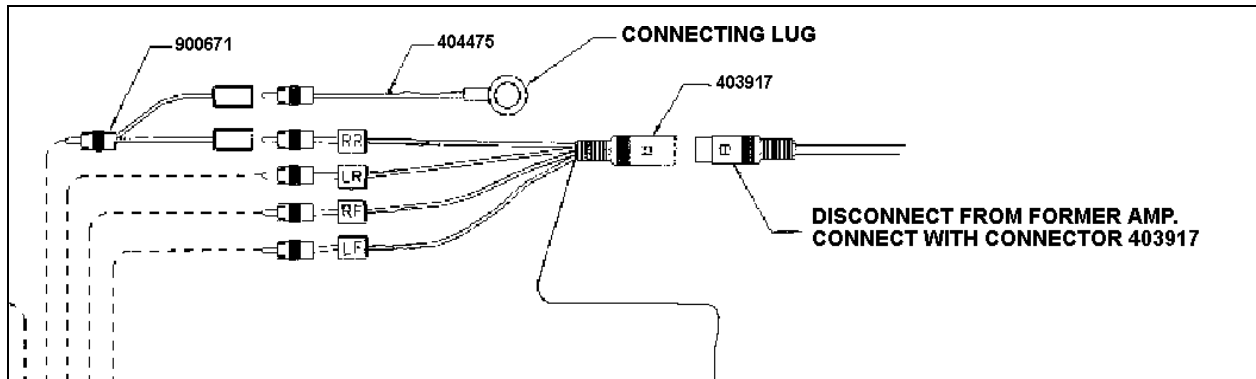


FIGURE 3

Note : Ensure to connect speaker cables to + and – amplifier plug-in connectors and not to “Low Z Input” connectors.

Note : To make sure that each speaker is energized by the appropriate cable, check if there are markers on the cables (LR, RR, LF and RF).

8. Crimp terminal (Prévost #560488) on orange wire (ORA). Cut a piece of 1-½ inch long heat shrink tubing (Prévost #062490) and insert piece over terminal. Heat shrink piece of tubing (refer to figure 4). Connect terminal to REM connector of RCF amplifier.

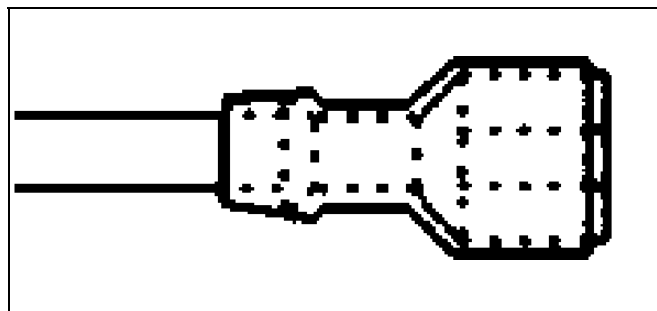


FIGURE 4

9. Adjust amplifier level to 4.
10. Reinstall amplifier in compartment with existing screws, drill new holes on wall to reinstall amplifier if necessary. Connect wiring and cables on amplifier as shown on figure 10.
11. Reinstall amplifier protection panel with screws.

XL-45 COACHES

Warning: Park vehicle safely, apply parking brake, stop engine and set battery master switch(es) to the OFF position prior to working on the vehicle.

1. Set the battery safety switch to the "OFF" position. Refer to Section 6 of Maintenance Manual: "Electrical System" for switch location.
2. Remove the screws securing amplifier protection panel located in parcel rack behind driver (Fig. 5 and 6). Remove the panel.

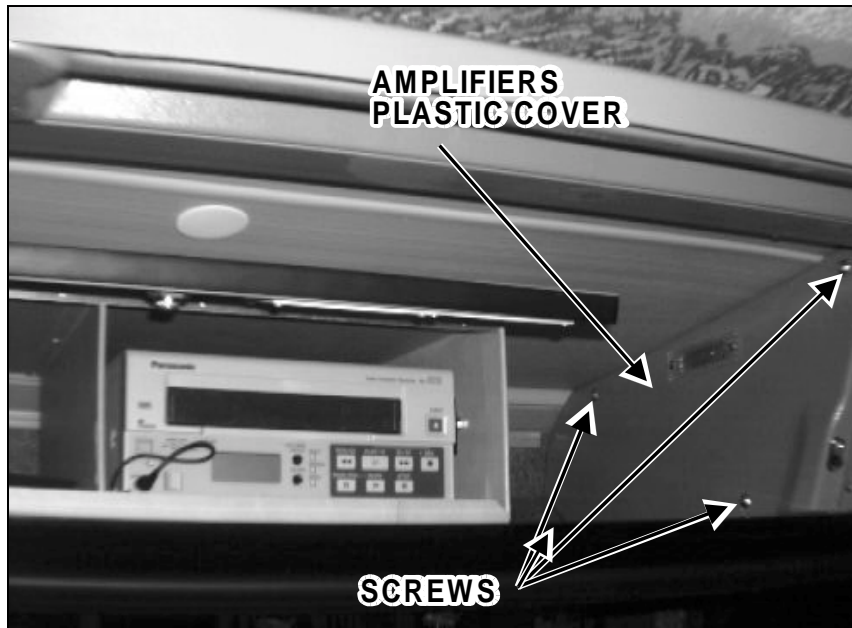


FIGURE 5

23047

Note: Refer to figure 10 for wiring diagram of amplifiers installation.

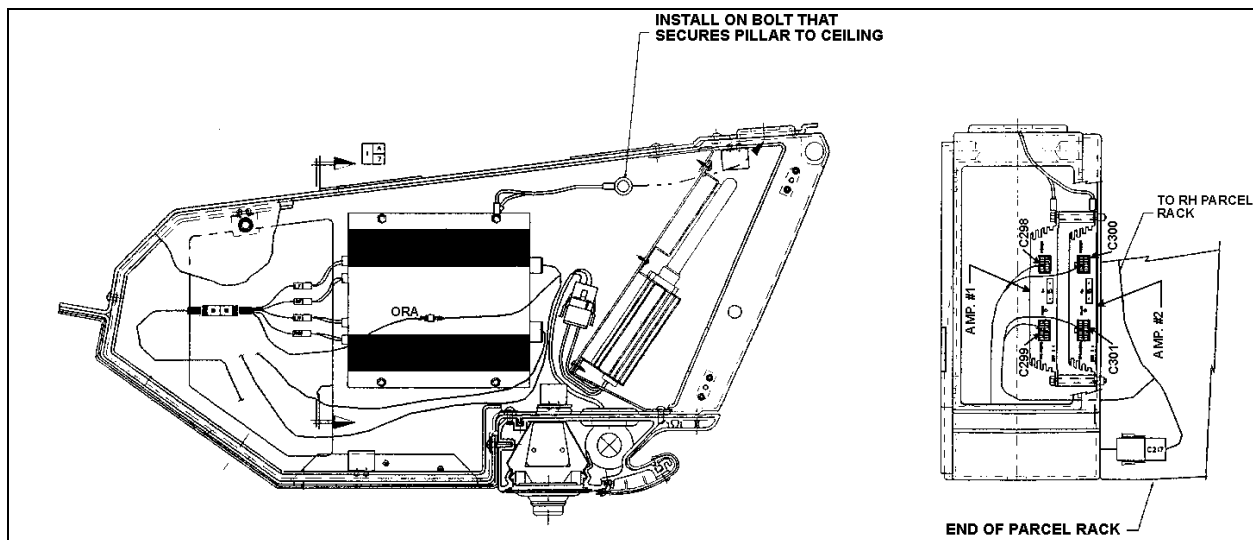


FIGURE 6

23097

3. Disconnect wiring connectors from both sides of amplifier (identify wiring to facilitate reinstallation).
4. Remove the screws retaining amplifier to the wall.
5. In amplifiers compartment, locate power supply wires (0SE, 12SE and 0SF, 12SF) and crimp a terminal (Prévost #561539) and a terminal (Prévost #561540) on each wire.
6. Locate 8 pin connector, connect cable 8-DIN / 4-RCA (Prévost #403917) to the 8 pin connector (refer to figures 2 and 3). Connect RCA Y adapter (Prévost #900671) between amplifier and 8 pin connector on one of the channels, connect PA REI connecting wire (Prévost #404475) on one of the terminals of Y adapter and ground connecting lug.

Note: Newer version vehicles do not require cable 8-DIN / 4-RCA (Prévost #403917) for the installation.

- Disconnect speaker connectors (C299, C298 and C300, C301) from former amplifier. Cut connectors and crimp specified terminal on each wire (Prévost #560488). Cut heat shrink tubing (Prévost #062490) in 1-½ inch long pieces and insert a piece over each terminal. Heat shrink each piece of tubing. Connect terminals to matching wires of RCF amplifier connector.

Note : Ensure to connect speaker cables to + and – amplifier plug-in connectors and not to “Low Z Input” connectors.

Note : To make sure that each speaker is energized by the appropriate cable, check if there are markers on the cables (LR, RR, LF and RF).

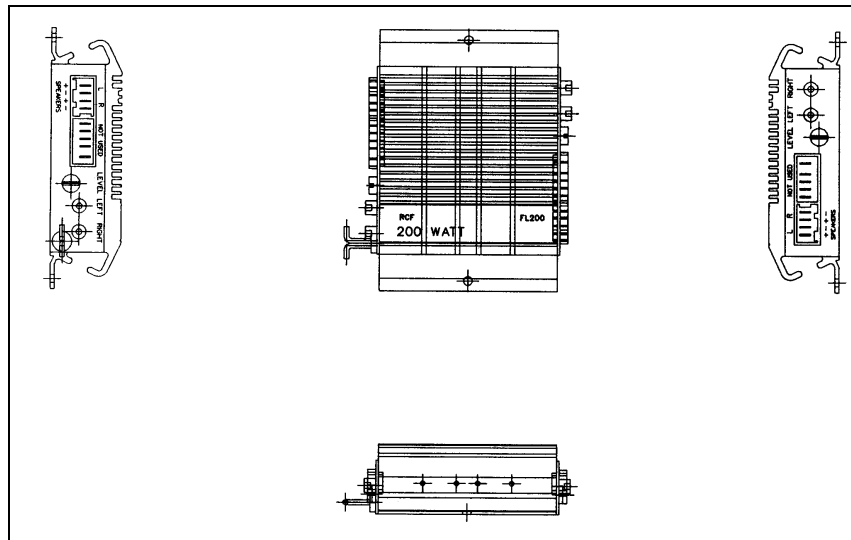


FIGURE 7: RCF AMPLIFIER 4 X 20W

- Crimp terminal (Prévost #560488) on orange wire (ORA). Cut a piece of 1-½ inch long heat shrink tubing (Prévost #062490) and insert piece over terminal. Heat shrink piece of tubing (refer to figure 4). Connect terminal to REM connector of RCF amplifier.

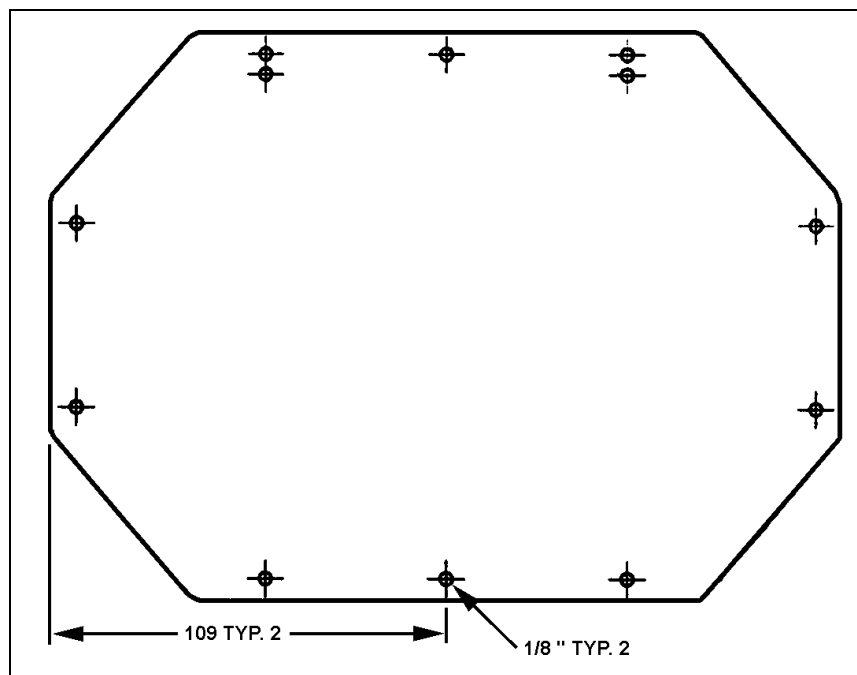


FIGURE 8: AMPLIFIER MOUNTING PLATE

9. Adjust amplifier level to 4.
10. Drill two extra holes inside amplifier mounting plate (refer to figure 8) for the installation of RCF amplifier. Install amplifier mounting plate (Prévost #404517) in compartment with binding screws, secure amplifier to plate and connect wiring as shown on figure 10.
11. Reinstall amplifier protection panel with screws.

H3 SERIES COACHES

Warning: Park vehicle safely, apply parking brake, stop engine and set battery master switch(es) to the OFF position prior to working on the vehicle.

1. Remove the snap caps and retaining screws from the driver's dome light panel (fig.9). Remove panel from its location and let it hang by the wires.

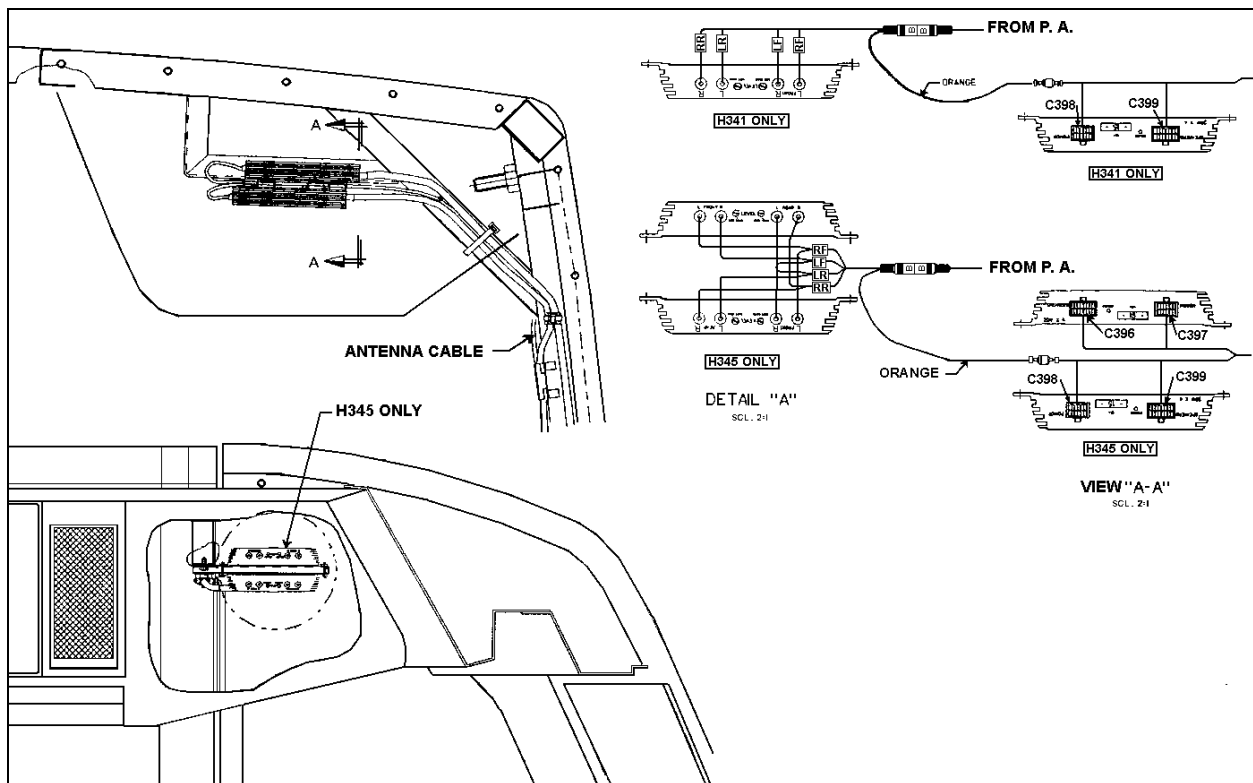


FIGURE 9

23098

Note: Refer to figure 10 for wiring diagram of amplifiers installation.

2. Disconnect wiring connectors from both sides of amplifier (identify wiring to facilitate reinstallation).
3. Remove the two bolts retaining mounting bracket to the structure. Take out amplifier from its location.
4. Remove the 4 screws retaining amplifier to its mounting bracket.
5. Install new RCF amplifier (Prévost #901023) on the mounting brackets. Drill new holes on brackets as necessary to install amplifier.

-
6. In amplifiers compartment, locate power supply wires (0SA & 12SA) and crimp a terminal (Prévost #561539) and a terminal (Prévost #561540) on each wire.
 7. Locate 8 pin connector, connect cable 8-DIN / 4-RCA (Prévost #403917) to the 8 pin connector (refer to figures 2 and 3). Connect RCA Y adapter (Prévost #900671) between amplifier and 8 pin connector on one of the channels, connect PA REI connecting wire (Prévost #404475) on one of the terminals of Y adapter and ground connecting lug.

Note: *Newer version vehicles do not require cable 8-DIN / 4-RCA (Prévost #403917) for the installation.*

8. Disconnect speaker connectors (G3 & G1, G6 & G4, D3 & D1 and D6 & D4) from former amplifier. Cut connectors and crimp specified terminal on each wire (Prévost #560488). Cut heat shrink tubing (Prévost #062490) in 1-½ inch long pieces and insert a piece over each terminal. Heat shrink each piece of tubing. Connect terminals to matching wires of RCF amplifier connector.

Note : *Ensure to connect speaker cables to + and – amplifier plug-in connectors and not to “Low Z Input” connectors.*

Note : *To make sure that each speaker is energized by the appropriate cable, check if there are markers on the cables (LR, RR, LF and RF).*

9. Crimp terminal (Prévost #560488) on orange wire (ORA). Cut a piece of 1-½ inch long heat shrink tubing (Prévost #062490) and insert piece over terminal. Heat shrink piece of tubing (refer to figure 4). Connect terminal to REM connector of RCF amplifier.
10. Adjust amplifier level to 4.
11. Drill two extra holes inside amplifier mounting plate (refer to figure 8) for the installation of RCF amplifier. Reinstall amplifier in compartment with existing bolts, drill new holes on frame support to reinstall mounting brackets if necessary. Connect wiring and cables on amplifier as shown on figure 10.
12. Secure the driver's dome light panel using the retaining screws. Install the snap caps.

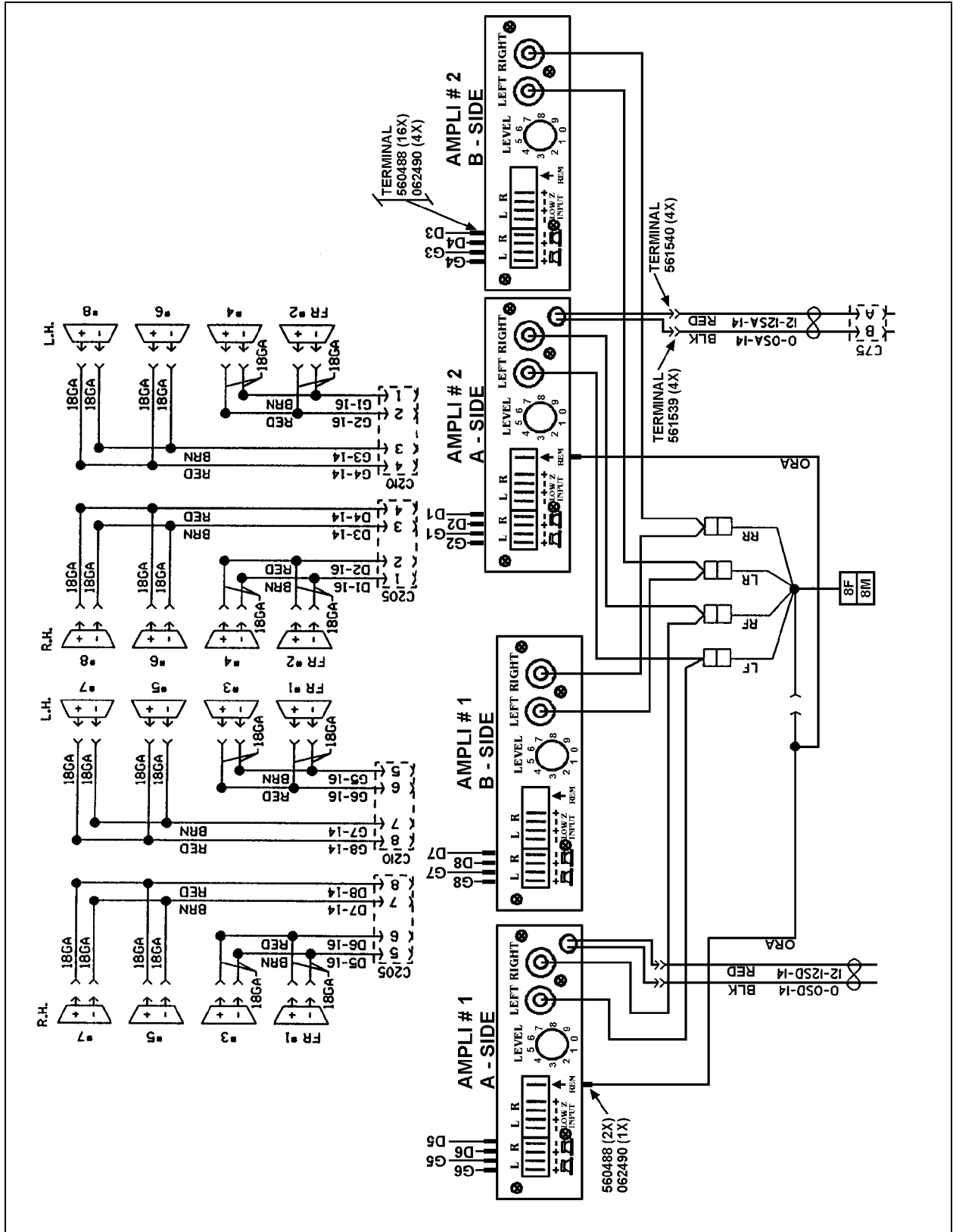


FIGURE 10: AMPLIFIER INSTALLATION WIRING DIAGRAM