

PREVOST

Instruction Sheet

IS-99061

REPLACEMENT OF “JACOBS” ENGINE BRAKE CONTROL MODULE ON XL VEHICLES (L-1507 TO L-1706)

MATERIAL

Kit #065235 includes the following parts:

Part No.	Description	Qty
561107	Connector	1
561108	Terminal, Female	5
561181	Terminal, Female	4
561183	Base, Relay	1
561520	Switch	1
562092	Relay, Mini 12V c/w diode	1
062991	Insert, Green Jacobs Brake	1
IS-99061	Instruction Sheet	1
FI-99061	Feuille d'instructions	1

PROCEDURE

⚠ WARNING ⚠

Park vehicle safely, apply parking brake, stop engine and set battery master switch(es) to the OFF position prior to working on the vehicle.

1. In the driver's section, locate the “Jacobs” engine brake control module on the L.H. side lateral control panel (Refer to figure 1).
2. Unfasten the screws fixing the control module then remove control module.
3. Using a trim part, cap the opening left by the removed control module.
4. Install the Jacobs switch (561520) in a suitable location like an unused switch position (Refer to figure 2).
5. Install mini relay (562092) in the front junction box (Refer to figure 3).
6. Perform the required connections as indicated in figure 4.

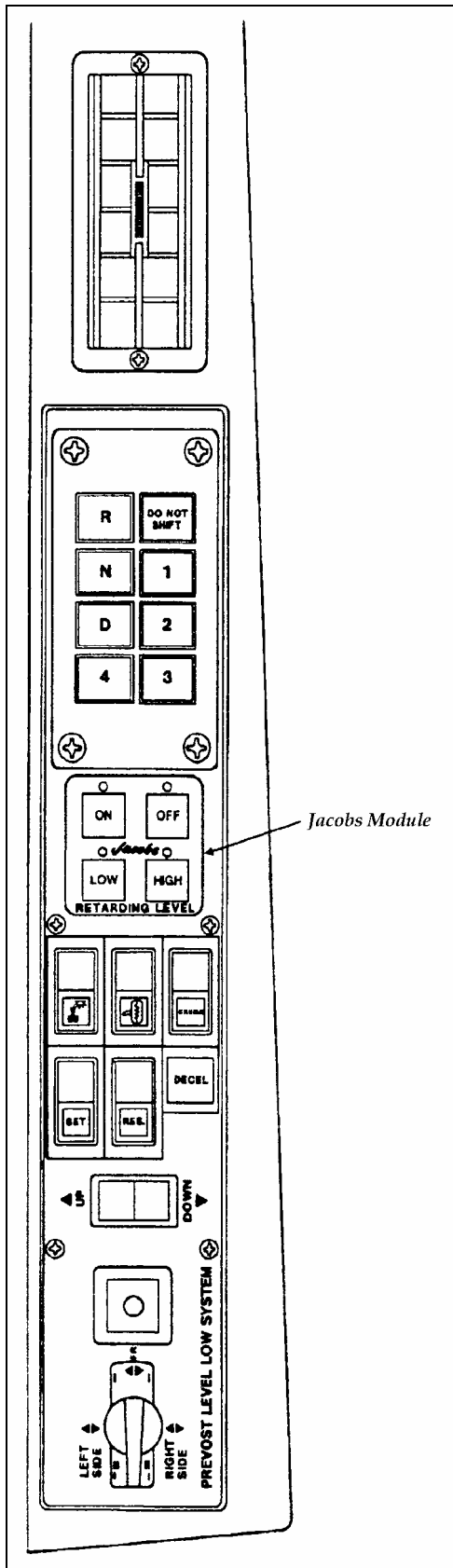


FIGURE 1

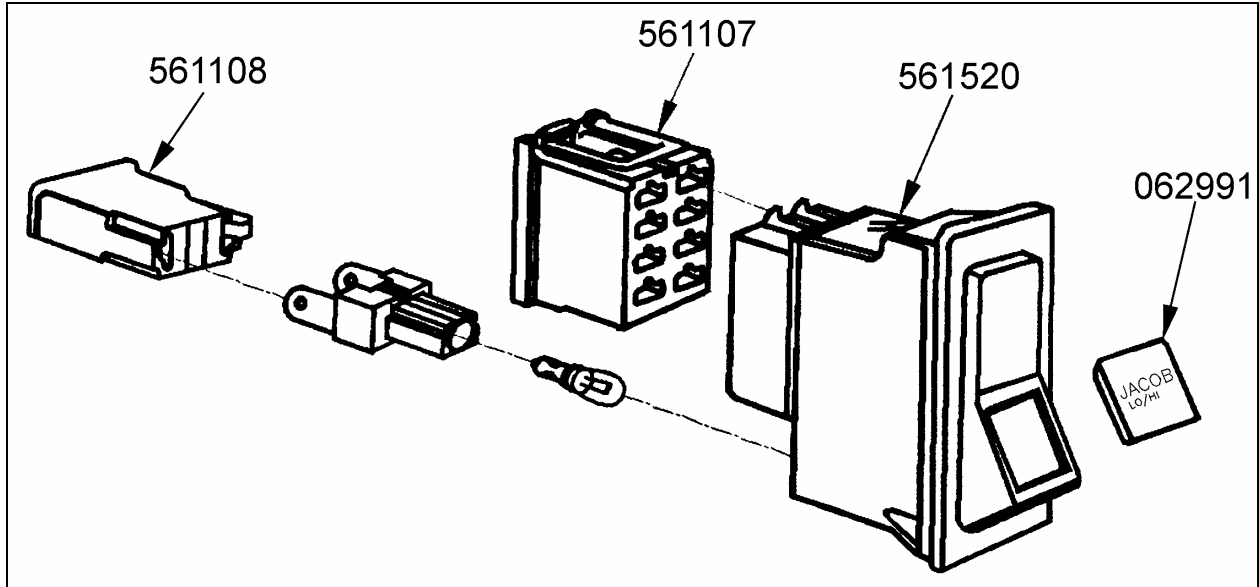


FIGURE 2: JACOBS SWITCH

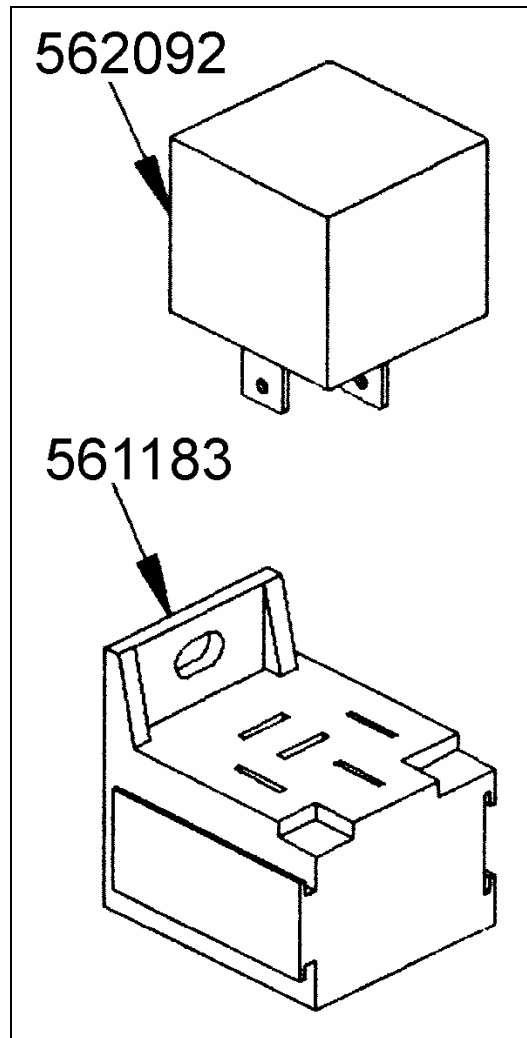


FIGURE 3: RELAY AND BASE

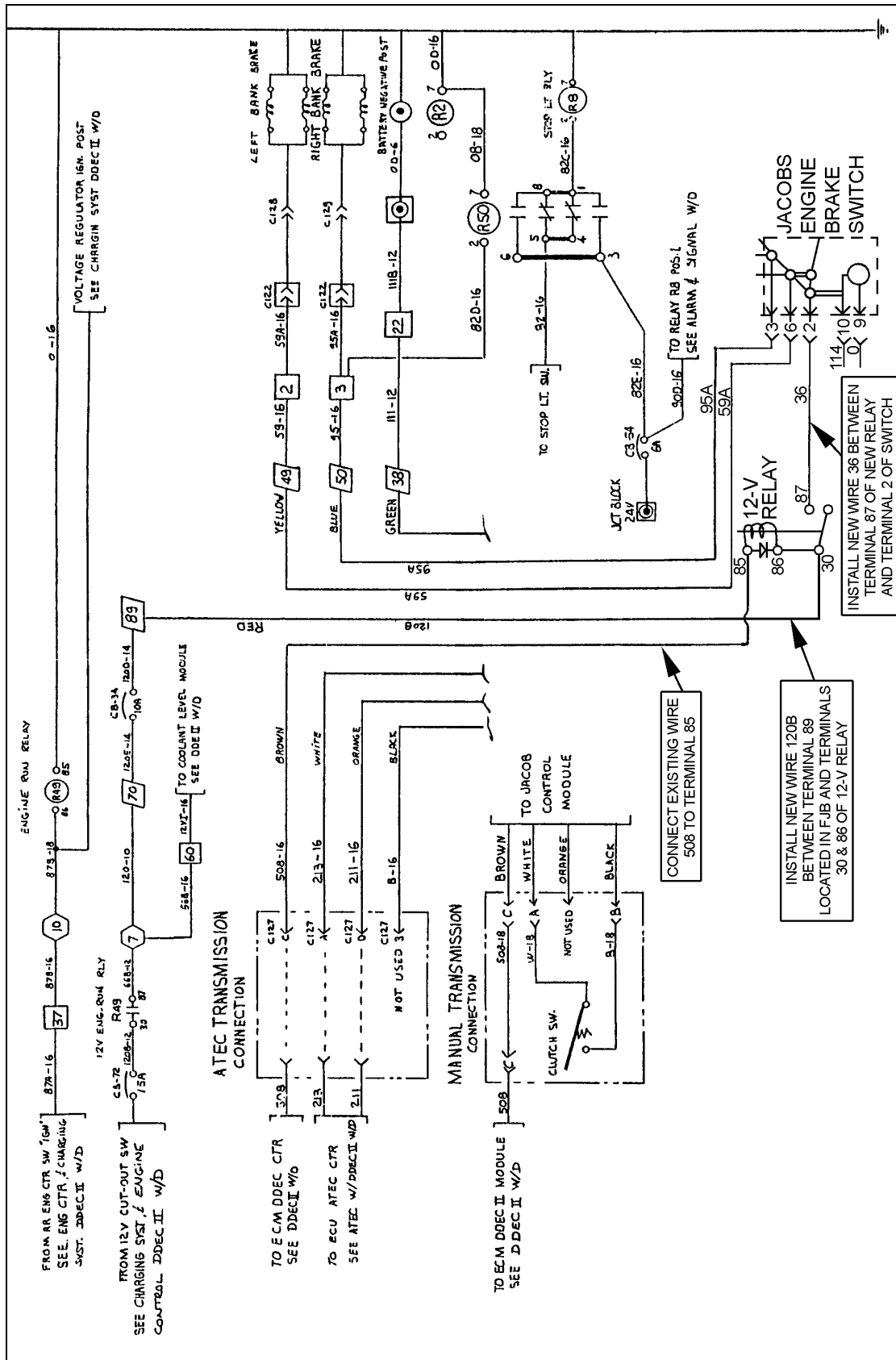


FIGURE 4