



PREVOST

ENREGISTRÉ - REGISTERED
ISO 9001 & ISO 14001

**MAINTENANCE
INFORMATION**

Mi00-32



DATE : November 2000	SECTION : 23 - Accessories
SUBJECT : INSTALLATION OF BUILT-IN SPEAKERS IN THE DRIVER'S MODESTY PANEL	

Important Notice: This modification is recommended by Prévost Car to increase your vehicle's performance. Note that no reimbursement will be awarded for carrying out this modification.

APPLICATION

Model	VIN
XLII Coaches Model Year : 2000 - 2001	From 2PCX33495Y1026951 up to 2PCX3349011027429 incl.

DESCRIPTION

A kit for installing built-in speakers in the modesty panel behind the driver is available.

MATERIAL

Kit #328885 includes the following parts :

Part No.	Description	Qty
328884	Driver's side modesty panel	1
562651	Terminal	2
500684	Spring nut, 0.025 – 0.064	8
502665	Screw, SS, #6 x 3/4	8
901024	Speaker grille	2
901025	Speaker, 4 in.	2

Note : Material can be obtained through regular channels.

PROCEDURE

Warning : Park vehicle safely, apply parking brake, stop engine and set battery master switch(es) to the OFF position prior to working on the vehicle.

1. Remove the modesty panel behind the driver's seat and retain the screws. Disconnect the speakers;
2. Pass the wires through the speaker holes of the new modesty panel and install as shown in figure 1, detail C;
3. Replace terminals on wires DR2 and DR4 by terminals #562651. Connect wires DR1 and DR2 to the right hand speaker. Connect wires DR3 and DR4 to the left-hand speaker (see figure 1, detail A);
4. Place four spring nuts in the speaker openings of the modesty panel and install the speakers as shown in figure 1, detail B.

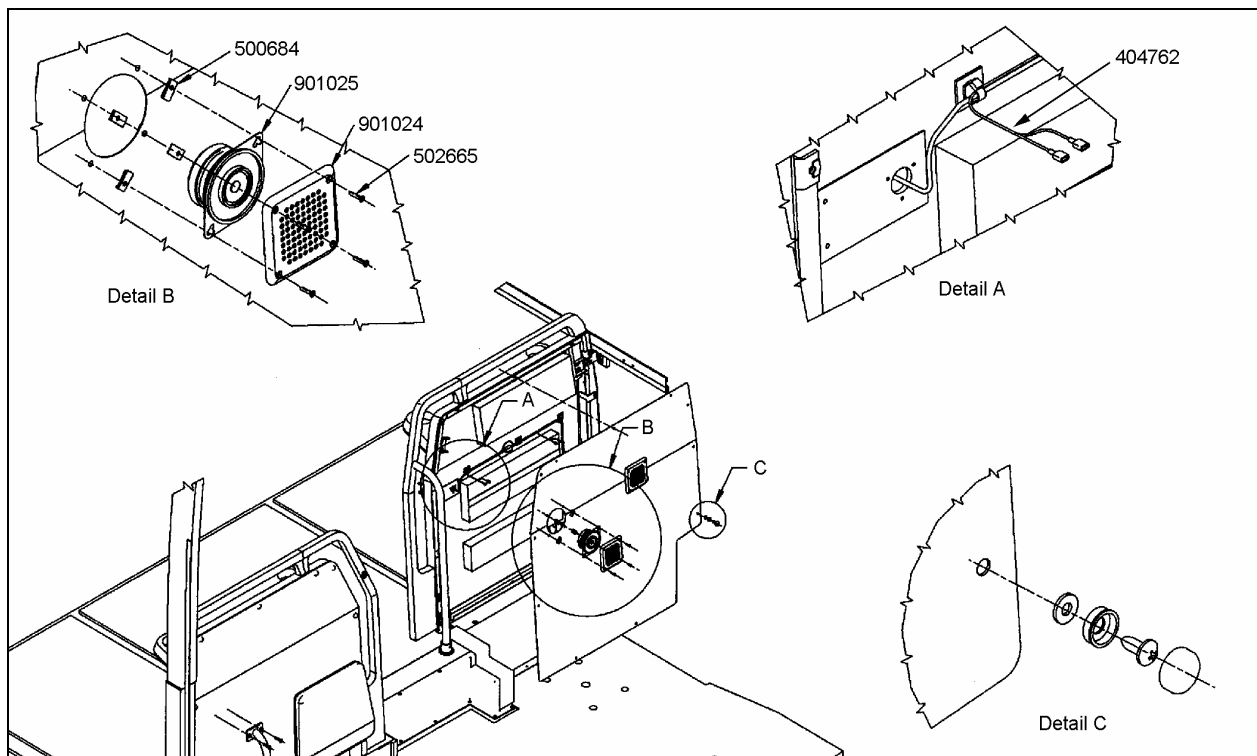


FIGURE 1: INSTALLATION OF SPEAKERS IN THE MODESTY PANEL

23288

Waste disposal :

Discard according to applicable environmental regulations (Municipal/State[Prov.]/Federal)