



PREVOST

ENREGISTRÉ - REGISTERED
ISO 9001 & ISO 14001

MAINTENANCE INFORMATION Mi03-02



DATE : January 2003	SECTION : 18 - Body
SUBJECT : OVERHEAD STORAGE COMPARTMENT DOOR INSTALLATION	

APPLICATION

Model	VIN
H3-41 & h3-45 Coach Model Year : 1998 – 2003	From 2PCH3349XW1012285 up to 2PCH3349831014595 incl.
XLII-45 Coach Model Year : 2000 - 2003	From 2PCX33495Y1026951 up to 2PCX3349831028013 incl.

DESCRIPTION

The overhead storage compartment door fixing mechanism has slightly changed. For a door replacement on the above-mentioned vehicles, follow the steps below.

PROCEDURE

Warning : Park vehicle safely, apply parking brake, stop engine and set battery master switch(es) to the OFF position prior to working on the vehicle.

1. Remove the existing door. To do so, detach the door cylinder from the door, remove the pivots locking screw then remove the pivots located at each side of the door (figure 1).

Note: use the existing pivots and nylon bushings for installation of the new door. If bushings or pivots have to be replaced, use the following parts:

Part No	Description
313677	3" rod, door pivot
313676	6" rod, door pivot
5001481	Nylon bushing

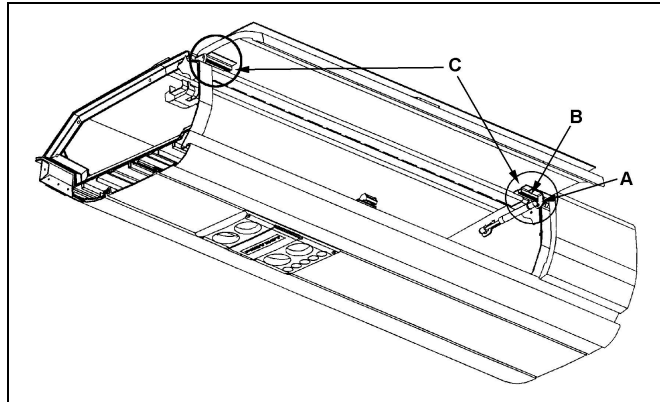


FIGURE 1: A: DOOR CYLINDER ATTACHMENT, B: PIVOT LOCKING SCREW, C: PIVOT

2. **REPLACEMENT OF ONE 6"-ROD PIVOT DOOR.** Install the new door using the existing pivots, nylon bushings and screws. Slide the pivots into receptacle of adjoining overhead storage compartment doors and lock on the pivots in place with the screws. Reinstall the door cylinder.
3. **REPLACEMENT OF TWO ADJOINING 6"-ROD PIVOT DOORS.** Install the new doors using the existing pivots and nylon bushings only. Drill and tap the post located between the doors and use screw #500587 to lock on the pivot in place. See figure 2 and 3.

Order the following part:

Part No	Description	Qty
500587	Allen set screw M4-0.7X6	1/post

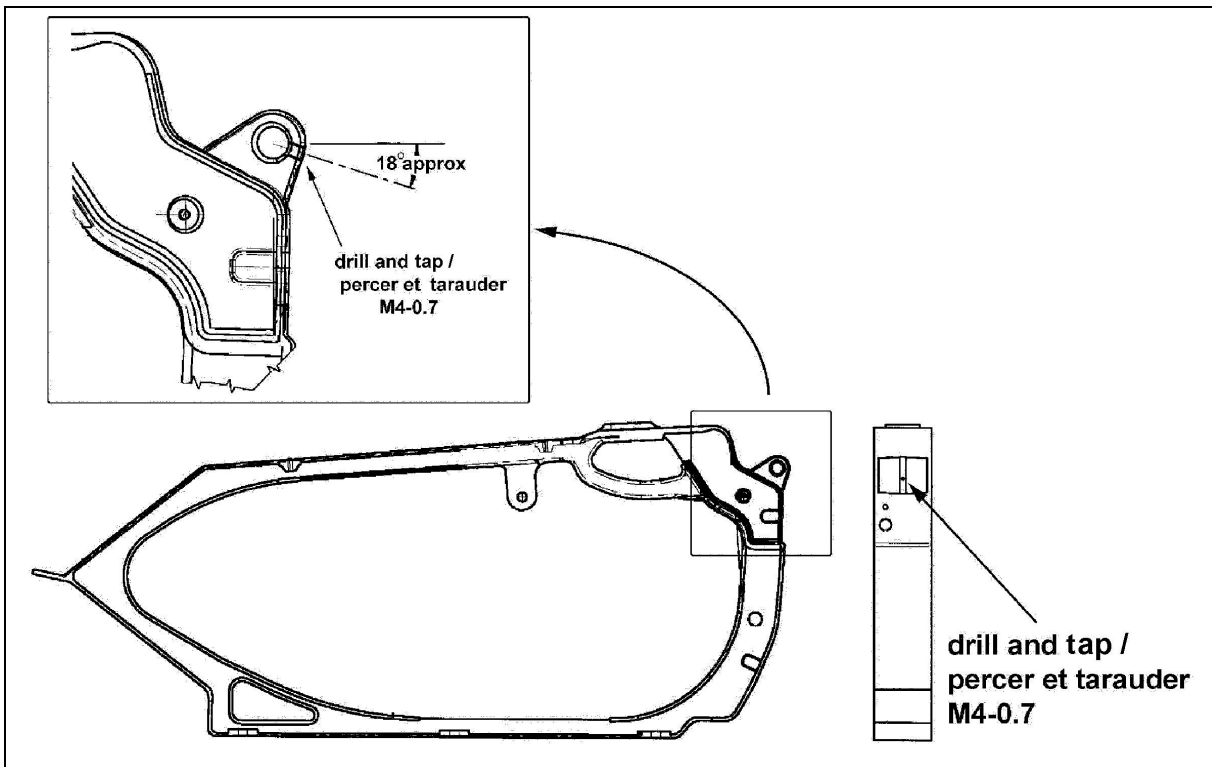


FIGURE 2: DRILLING AND TAPPING OF THE POST

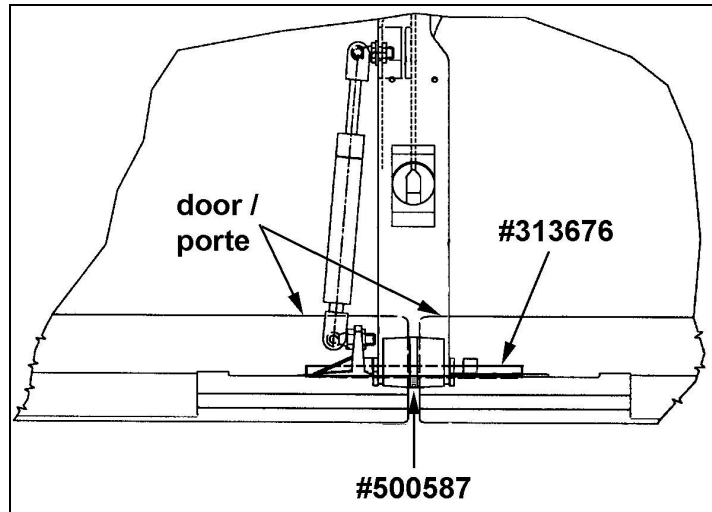


FIGURE 3: 6"-ROD PIVOT INSTALLATION

4. **REPLACEMENT OF 3"-ROD PIVOT DOORS.** When replacing a 3"-rod pivot door type, it is recommended to use a 6"-rod pivot (#313676) instead of the two existing 3"-rod pivots. In that case, drill and tap the post as shown on figure 2. It may be necessary to drill through the existing pivot hole in order to have the 6"-rod pivot to pass from end to end of the post. Use screw #500587 to lock on the pivot in place. It is not possible to use a 6"-rod pivot for the door located on the rear left side of the vehicle, in that case, install the new door using the existing pivot and nylon bushing only. Drill and tap the post as shown on figure 4 and 5. Use screw #500587 to lock on the pivot in place.

Note: The first and the last overhead storage compartment are slightly different from the others. Figure 5 shows door and pivot installation.

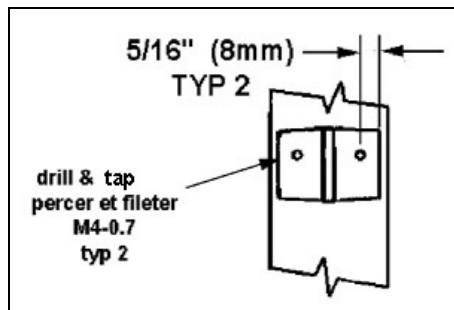


FIGURE 4: DETAIL OF POST WITH 3"-ROD PIVOT

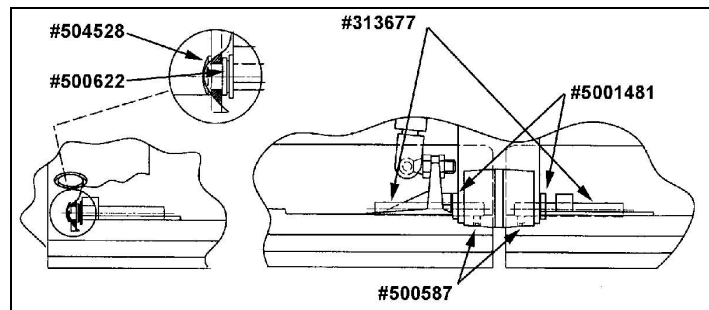


FIGURE 5: 3"-ROD PIVOT INSTALLATION

Waste disposal :

Discard according to applicable environmental regulations (Municipal/State[Prov.]/ Federal)