

# PREVOST

ENREGISTRÉ - REGISTERED  
ISO 9001 & ISO 14001

## MAINTENANCE INFORMATION


Mi04-15



DATE : October 2004	SECTION : 22 - HVAC
SUBJECT : INSTALLATION OF A DOUBLE-SHEAVE PULLEY FOR THE SELTEC A/C COMPRESSOR (SMALL A/C)	

**Important Notice:** This modification is recommended by Prevost Car to increase your vehicle's performance. Note that no reimbursement will be awarded for carrying out this modification.

### APPLICATION

Model	VIN	
VIP Motorhome Model Year : 2004 - 2005	From 2PCV3349841014763 up to 2PCV3349551010235	
XLII-45 Coach XLII-40, XLII-45 MTH XLII-45 Entertainer Model Year : 2004 - 2005	From 2PCY3349741028165 up to 2PCW3349751028644	

### DESCRIPTION

In order to increase the small A/C system reliability, it is possible to install a double-sheave pulley to drive the A/C compressor. Driving the compressor with 2 pulleys will permit to distribute the load on both drive belts, thus increasing each belt service life and also preventing breakdown of the small A/C system if a belt breaks.

### MATERIAL

Orders the following parts:

Part No.	Description	Qty
950392	Double-sheave pulley	1
506685	V-belt, A35	2

**NOTE**

Material can be obtained through regular channels.

**PROCEDURE**

**△ WARNING △**

Park vehicle safely, apply parking brake, stop engine and set battery master switch(es) to the OFF position prior to working on the vehicle.

**PULLEY REMOVAL**

1. On the current installation of your vehicle (similar to the new installation, see Figure 1), loosen nuts A and unscrew bolt B to relieve tension on the drive belt.
2. Remove the drive belt.
3. Remove the pulley. To do so, remove bushing retaining bolts C, insert in the 3 threaded removal holes and tighten evenly until bushing becomes loose on shaft.

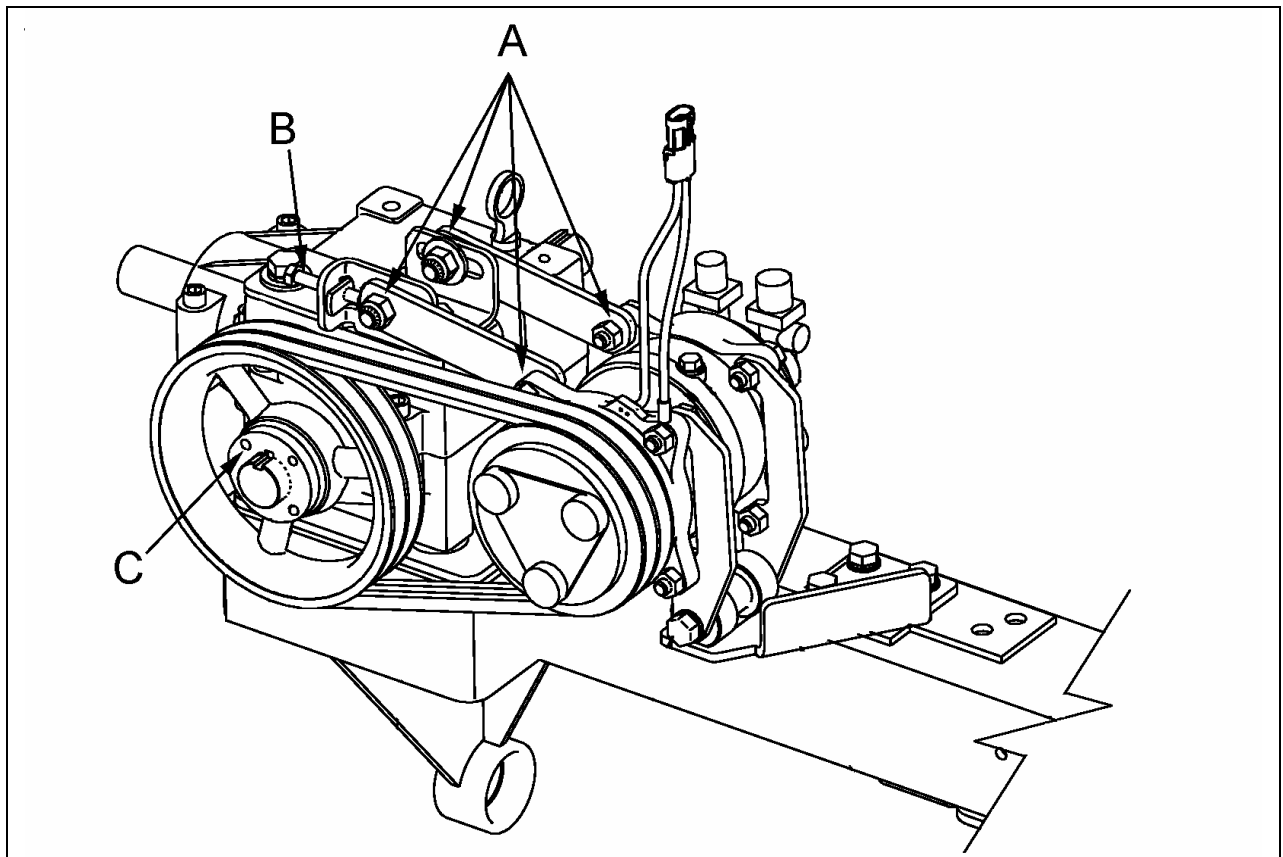


Figure 1: NEW INSTALLATION

## PULLEY INSTALLATION

1. Assemble bushing and pulley as shown (Figure 2). When retaining bolts are loosely inserted, bushing remains fully expanded to provide a sliding fit on the shaft.
2. Insert key on shaft, then slide pulley to desired position.
3. Install the new drive belts. Do not reinstall the old belt.

### ⚠ CAUTION ⚠

**Never use an old drive belt with a new one on the same pulley. Stretch and wear of the older drive belt will cause premature wear of the new drive belt. Both drive belts must always be replaced simultaneously.**

4. Align the pulleys (see the following instruction).

### *Pulley alignment*

*To prevent noise, slippage, disengagement and premature wear, it is necessary to align the gearbox pulley with the compressor pulley.*

- 1- *Apply a certain tension to the drive belts.*
  - 2- *Rest an extremity of a straight edge against upper part of the outer face of gearbox pulley (Figure 3).*
  - 3- *Measure distance between straight edge and first drive belt for each pulley. If distance is different, adjust position of the gearbox pulley on its shaft in order to obtain the same distance.*
5. Complete installation by tightening evenly and progressively bushing retaining bolts to a torque of 6 lb-ft dry.
  6. Using bolt B (Figure 1) move the drive belt tensioner in order to apply a tension of 38 lb on the belts (use a belt strand tension gauge). When proper tension is reached, tighten firmly nuts A.

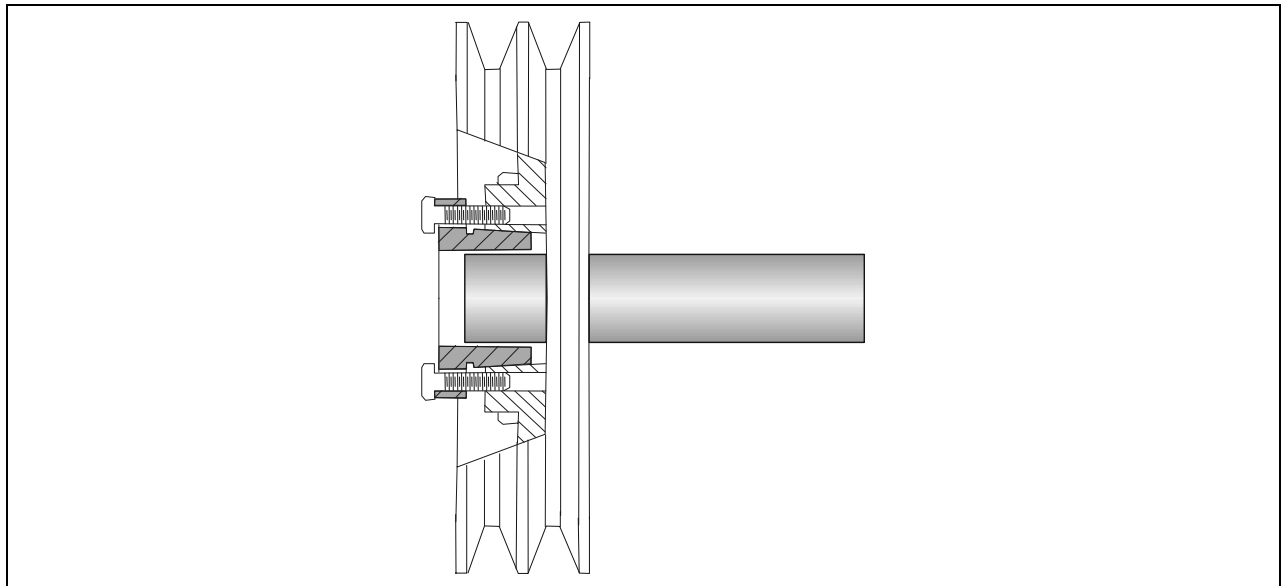


Figure 2: BUSHING AND PULLEY ASSEMBLY

**NOTE**

*The condition and tension of the drive belts are critical to the operation of engine, fan, and accessories. Excessive tension causes bearing wear, while insufficient tension produces slippage, noise, component vibration and belt failure. Because of their composition and the high stresses to which they are subjected, drive belts stretch and deteriorate as they get older. As a result, they must be periodically checked and adjusted.*



**Figure 3: PULLEY ALIGNMENT**