

PREVOST




**MAINTENANCE
INFORMATION**

Mi98-02



DATE: February 1998	SECTION: 11
SUBJECT: TAG AXLE ATTACHMENT USING CHAINS	

APPLICATION:

Model	VIN		
H3-45 Coaches Model Year: 1998	2PCH33497W1012390		2PCH33493W1012399
	2PCH33499W1012391		2PCH33496W1012400
	2PCH33490W1012392		2PCH3349XW1012402
	2PCH33492W1012393		2PCH33491W1012403
	2PCH33496W1012395		2PCH33499W1012407
	2PCH33498W1012396		2PCH33492W1012412
	2PCH3349XW1012397		2PCH33494W1012413
	2PCH33491W1012398		2PCH33496W1012414

DESCRIPTION

On the above-mentioned vehicles, two attachment parts were welded onto each tag axle side in order to hold in lifting position the tag axle during repair with the aid of chains. The following procedure describes the correct way for using this method of fixation.

PROCEDURE

Warning: Park vehicle safely over a repair pit, apply parking brake, stop engine and set battery master switch(es) to the OFF position prior to working on the vehicle.
Prior to working under an air-suspended vehicle, it is strongly recommended to securely support the body at the recommended jacking points.

1. Remove chains from their storage location.

Warning: Only the recommended jacking points must be used as outlined in Section 18 of Maintenance Manual: "Body" under heading "Vehicle jacking points" or in Operator' Manual.

2. Operation of the tag axle is controlled by a valve located on the right lateral console, the axle will be automatically raised or lowered by air pressure according to the valve position. Raise tag axle using valve.
3. Install jacks under tag axle jacking points to support the axle weight.

4. Install chain into attachment parts making sure chain is well in place before removing jacks (refer to fig. 1).

Note: Insert chain into slot of bottom attachment part first then into top part.

Warning: Do not drive the vehicle with tag axle lifted and chains in place.

5. Reverse previous steps for chain removal.
6. Replace chains in their storage location.

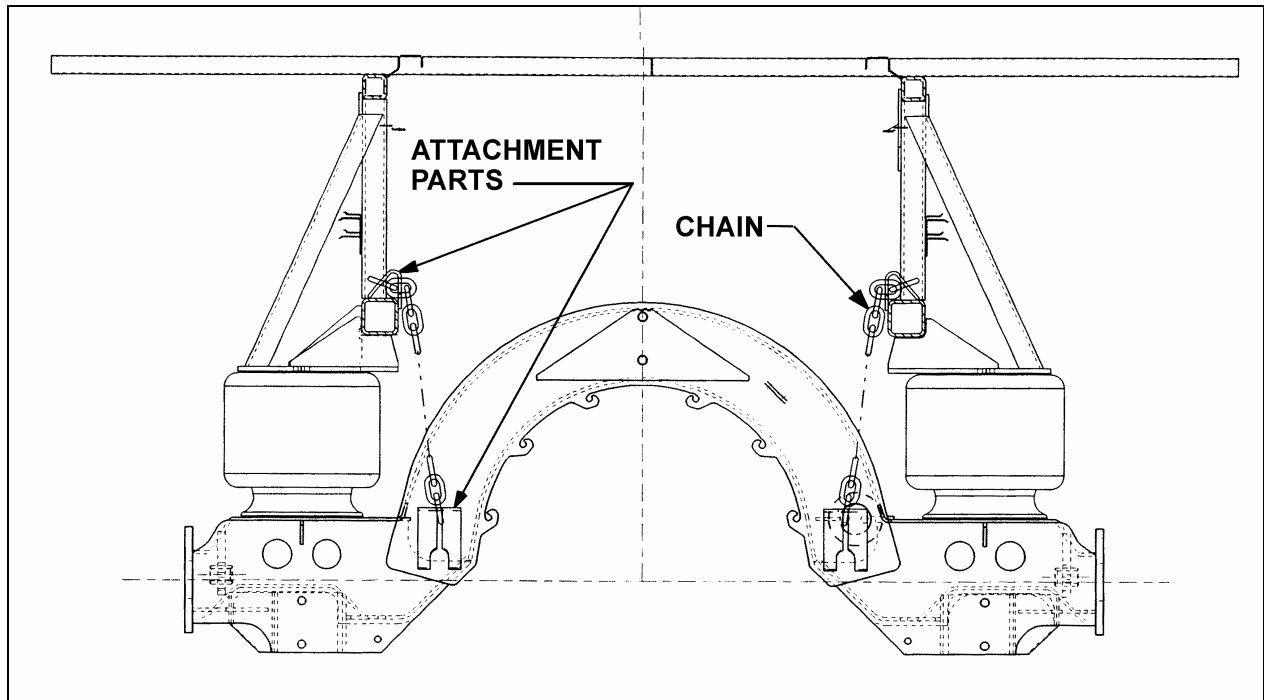


FIGURE 1: TAG AXLE ATTACHMENT USING CHAINS