



PREVOST

ENREGISTRÉ - REGISTERED
ISO 9001 & ISO 14001

**SAFETY
RECALL**

Sr08-12



DATE : OCTOBER 2008	SECTION : 23-ACCESSORIES
SUBJECT : REPLACING WEAKENED BOLTS ON THE ROOF ESCAPE HATCH	

APPLICATION

Model	VIN	
 H3-41, H3-45 Coaches Model Year : 2008 – 2009	From 2PCH334158C71 1213 up to 2PCH334919C71 1376 incl.	
 VIP Motorhomes Model Year : 2008	2PCV33494 8 C71 1244	
 XLII-45 Motorhomes Model Year : 2009	2PCW33492 9 C72 9571	
 X3-45 Coaches Model Year : 2008 – 2009	From 2PCG334928C72 9461 up to 2PCG334959C72 9584 incl.	
<p>This Safety Recall does not necessarily apply to all the above-mentioned vehicles, some vehicles may have been modified before delivery. The owners of the vehicles affected by this recall will be advised by a letter indicating the Vehicle Identification Number (VIN) of each vehicle concerned.</p>		

DESCRIPTION

On the vehicles mentioned above, it is **absolutely necessary** to replace weakened bolts on the roof escape hatch. The roof escape hatch manufacturer encountered a quality issue related to the bolt's installed strength. Bolts exposed to higher than normal torques were used in the manufacturing of the escape hatches. Weakened bolts can fracture during opening of the hatch for ventilation. The hatch can detach completely, causing injuries, damages to nearby vehicles and even cause a crash.

MATERIAL

Part No.	Description	Qty
950449	Screw, cap 5/16-18 Torx Gr8	8
950450	Bushing, brass	8

NOTE

Material can be obtained through regular channels.

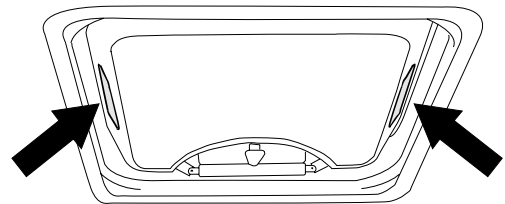
PROCEDURE



DANGER

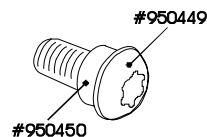
Park vehicle safely, apply parking brake, stop engine and set battery master switch(es) to the OFF position prior to working on the vehicle.

1. Open the hatch. To do so, push the escape hatch outwards, pressing with both hands where indicated.
2. Four bolts must be replaced on each hatch.
3. Remove the first bolt and put aside. You will need a screwdriver bit Torx T40 or Phillips #4 depending on the existing bolt type.



NOTE

If necessary, remove old Loctite™ residues in the threaded hole. To do so, use a 5/16X18 tap.

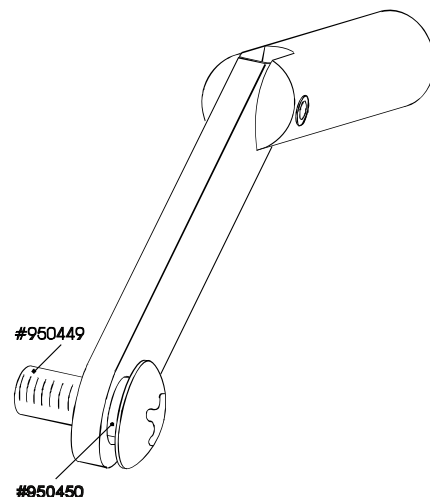


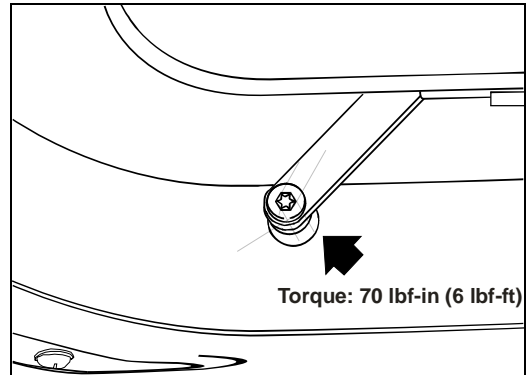
4. Insert the new bolt #950449 into the bushing #950450.
5. Insert the bolt and bushing into the hole in the linkage. Hand tighten the bolt into the threaded brass insert.
6. Tighten new bolt and bushing to a torque of **70 lbf-in (6 lbf-ft)**. Use a screwdriver bit Torx T40. Loctite is not needed for the new installation.

NOTE

When tightening the bolt, hold the linkage over the bushing and against the head to ensure correct alignment.

7. Repeat the same procedure for the next three bolts and then proceed to the replacement of the bolts on the second roof escape hatch.





WARRANTY

This modification is covered by Prevest's normal warranty. We will reimburse you the parts and one hour (1.0) of labor upon receipt of the parts and a completed A.F.A. form on which you must specify as per "Safety Recall 8-12". **You also have to fill the "Safety Recall Certification Sheet" provided with this bulletin and return it with your A.F.A. form to be reimbursed.**

Parts disposition:

- Return to Prevest with A.F.A. for full reimbursement.



PREVOST

**Safety Recall
Certification Sheet
(Ref: Sr08-12)**

ENREGISTRÉ - REGISTERED
ISO 9001 & ISO 14001



SERIAL NUMBER: _____

PERFORMED BY		OWNER/OPERATOR	
We hereby certify that Safety Recall Instructions with regard to Safety Recall #08-12 have been performed.			
Name: _____		Name: _____	
Addr: _____		Addr: _____	
Phone: _____		Phone: _____	
Fax: _____		Fax: _____	
Signature :	_____	Signature :	_____
Date:	_____	Date:	_____

If the information mentioned above is incorrect or you are not the owner of this vehicle anymore, please fill this section and return to sender..

NEW OWNER: _____

BUSINESS: _____

ADDRESS (including County): _____

TELEPHONE: _____ **FAX:** _____

**Please return this completed document with your
A.F.A. form**