

PREVOST

ENREGISTRÉ - REGISTERED
ISO 9001 & ISO 14001


**SAFETY
RECALL**

Sr11-10



DATE : MARCH 2011	SECTION : 03-FUEL
SUBJECT : REPLACEMENT OF THE FUEL TANK SUPPORT	

APPLICATION

Model affected	Vehicle affected
H3-41, H3-45 coaches Model Year : 2010 - 2011	<div style="text-align: right; font-size: small;">  </div> The following vehicles: 2PCH33493AC71 <u>1710</u> 2PCH33499BC71 <u>1728</u> 2PCH33497BC71 <u>1744</u> 2PCH33499AC71 <u>1713</u> 2PCH33490BC71 <u>1729</u> 2PCH33499BC71 <u>1745</u> 2PCH33492AC71 <u>1715</u> 2PCH33497BC71 <u>1730</u> 2PCH33492BC71 <u>1747</u> 2PCH33494AC71 <u>1716</u> 2PCH33499BC71 <u>1731</u> 2PCH33494BC71 <u>1748</u> 2PCH33496AC71 <u>1717</u> 2PCH33492BC71 <u>1733</u> 2PCH33492BC71 <u>1750</u> 2PCH33498AC71 <u>1718</u> 2PCH33494BC71 <u>1734</u> 2PCH33496BC71 <u>1752</u> 2PCH3349XAC71 <u>1719</u> 2PCH33496BC71 <u>1735</u> 2PCH33495BC71 <u>1760</u> 2PCH33496AC71 <u>1720</u> 2PCH33498BC71 <u>1736</u> 2PCH33497BC71 <u>1761</u> 2PCH33496BC71 <u>1721</u> 2PCH3349XBC71 <u>1737</u> 2PCH33494BC71 <u>1765</u> 2PCH33498BC71 <u>1722</u> 2PCH33491BC71 <u>1738</u> 2PCH33496BC71 <u>1766</u> 2PCH3349XBC71 <u>1723</u> 2PCH33493BC71 <u>1739</u> 2PCH33498BC71 <u>1767</u> 2PCH33491BC71 <u>1724</u> 2PCH3349XBC71 <u>1740</u> 2PCH33417BC71 <u>1768</u> 2PCH33493BC71 <u>1725</u> 2PCH33491BC71 <u>1741</u> 2PCH33419BC71 <u>1769</u> 2PCH33495BC71 <u>1726</u> 2PCH33493BC71 <u>1742</u> 2PCH3349XBC71 <u>1771</u> 2PCH33497BC71 <u>1727</u> 2PCH33495BC71 <u>1743</u> 2PCH33493BC71 <u>1773</u>
H3-45 VIP motorhomes Model Year : 2011	The following vehicles: 2PCV33491BC71 <u>1709</u> 2PCVS3491BC71 <u>1714</u>
X3-45 coaches Model Year : 2011	The following vehicles: 2PCG33491BC72 <u>9992</u> 2PCG33491BC73 <u>5002</u>

DESCRIPTION

On vehicles affected by this recall, it is **absolutely necessary** to replace the fuel tank support as soon as possible. It has determined that some weakness may exist in the weld beads due to poor fusion penetration. Welding defects are not visible, thus cannot be detected by a visual inspection. No repair is allowed, so the entire support must be replaced.


<i>IMPORTANT NOTE</i>
<i>Because the fuel tank must be drained to permit the replacement of the fuel tank support, wait until the fuel tank is near empty before performing this safety recall.</i>

MATERIAL

Part No.	Description	Qty
032631 or 032904	Support, H3 Series fuel tank Support, X3 Series fuel tank	1
500806	Screw, M12 x 35mm	3
500811	Nut M12	6
500889	Screw, M12 x 120mm	2
500958	Washer, flat	12
506758	Neoprene foam self adhesive tape 1/16" x 1 1/2"	50 feet
5001338	Screw, M12 x 45mm	1

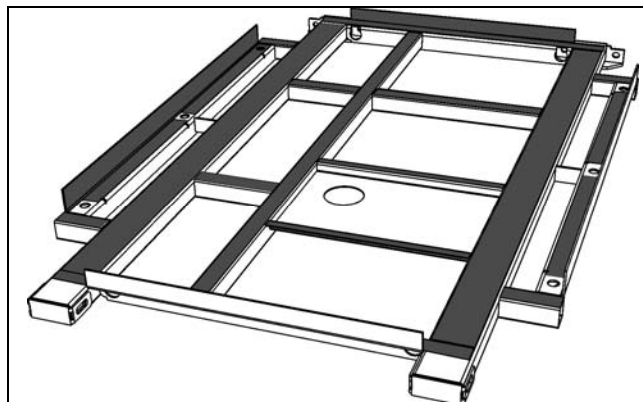
<i>NOTE</i>
<i>Material can be obtained through regular channels.</i>

PROCEDURE

 DANGER
Park vehicle safely, apply parking brake, stop engine and set battery master switch(es) to the OFF position prior to working on the vehicle.

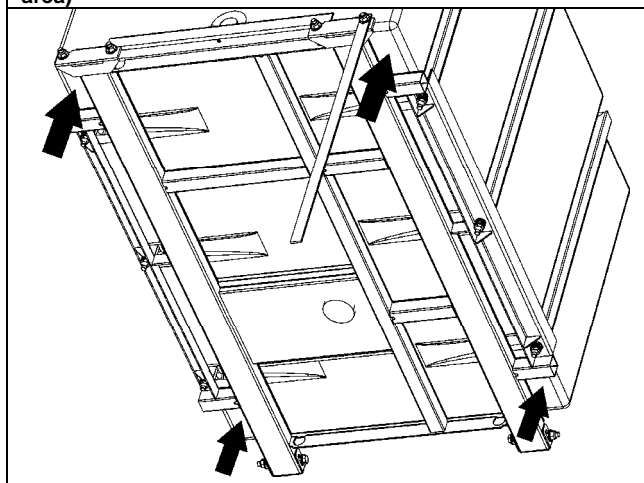
1. Drain the fuel tank into a suitable container (this operation may take hours depending on the quantity of fuel present). To drain the fuel tank, it is recommended to siphon fuel through the connection panel on top of fuel tank or the filler tube. Removing the plug at the bottom of the tank may increase risks of fuel seepage.
2. Clean the upper surface of the new support with a solvent or anti-silicon.

3. Apply self-adhesive neoprene foam (p/n 506758) on the new platform as shown.
4. Lift the vehicle.

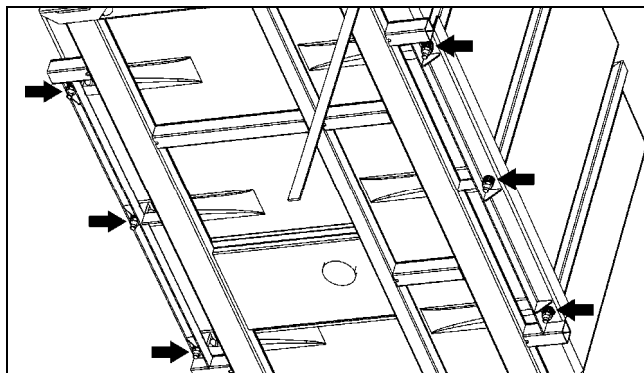


APPLICATION OF SELF-ADHESIVE NEOPRENE FOAM (dark area)

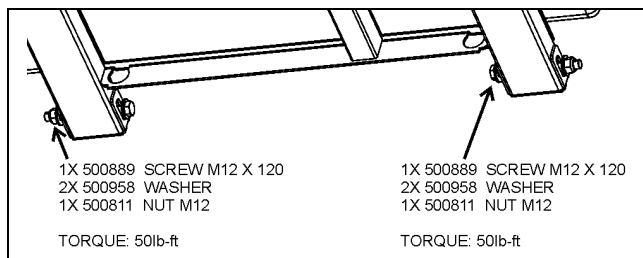
5. Using four jack stands, support the fuel tank at the four corners as indicated on the image.

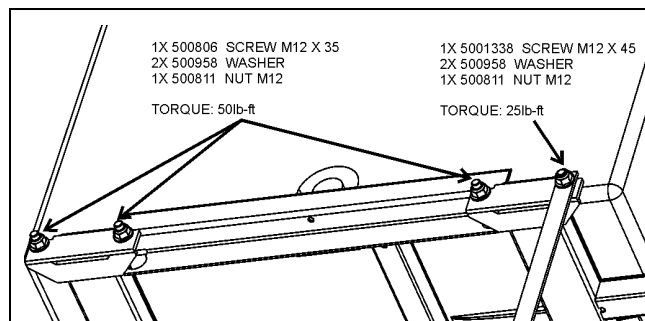


6. Unscrew the 6 tank retainer nuts.

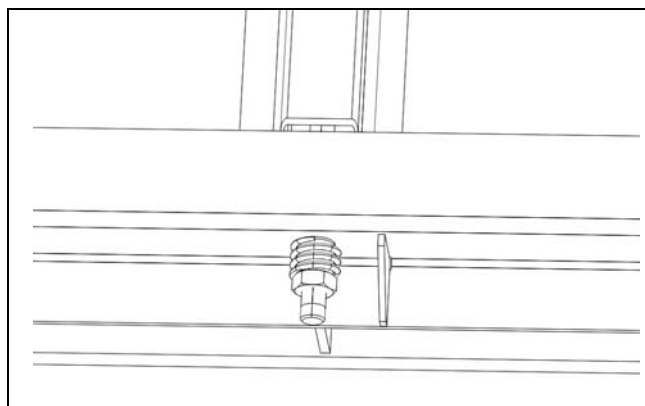


7. Unscrew the bolts (6) holding the fuel tank support to the vehicle chassis.
8. Replace the existing fuel tank support with the new one. Identify the defective support so it will not be reuse.
9. Install the new support with **new** hardware (bolts, washers and nuts).
 - Tighten bolts to 50 lb-ft (5 bolts)
 - Tighten bolts to 25 lb-ft (with static wick)





10. Thoroughly clean retainer studs to prevent mixing blue Loctite with anticorrosion compound. Reinstall fuel tank retainer nuts. Put blue Loctite on the retainer studs. Tighten nuts until springs are fully compressed and then loosen 3 complete turns.
11. Apply Valvoline anticorrosion compound or similar product on the bolts and nuts.



PARTS DISPOSITION

- Discard waste according to applicable environmental regulations (Municipal/State[Prov.]/ Federal)

WARRANTY

This modification is covered by Prevo's normal warranty. We will reimburse you the parts and 1 ½ hours (1.5) of labor upon receipt of the replaced part and a completed A.F.A. form on which you must specify as per "Safety Recall 11-10". **You also have to fill the "Safety Recall Certification Sheet" provided with this bulletin and return it with your A.F.A. form to be reimbursed.**

OTHER

Fail Code	03-05
Defect Code	85
System Condition	R
Causal Part	032631 (H3) 032904 (X3)



PREVOST

**Safety Recall
Certification Sheet
(Ref: Sr11-10)**

ENREGISTRÉ - REGISTERED
ISO 9001 & ISO 14001



SERIAL NUMBER: _____

PERFORMED BY		OWNER/OPERATOR	
We hereby certify that Safety Recall Instructions with regard to Safety Recall #10-19 have been performed.			
Name: _____		Name: _____	
Addr: _____		Addr: _____	
Phone: _____		Phone: _____	
Fax: _____		Fax: _____	
Signature :	_____	Signature :	_____
Date:	_____	Date:	_____

If the information mentioned above is incorrect or you are not the owner of this vehicle anymore, please fill this section and return to sender.

NEW OWNER: _____

BUSINESS: _____

ADDRESS (including County): _____

TELEPHONE: _____ **FAX:** _____

**Please return this completed document with your
A.F.A. form**