

PREVOST

Instruction Sheet

IS-02050A

INSTALLATION OF DOUBLE BLOWER FAN UNIT BRUSHLESS DRIVE MOTOR IN EVAPORATION COMPARTMENT

REVISION : A THIS INSTRUCTION SHEET SUPERSEDES THE PREVIOUS VERSION.
Drive motor #563008 replaced by #563586; #066714 replaced by #560083 & #563548

NOTE

This instruction sheet is applicable for XL series seated coaches and motorhomes which existing evaporator drive motor is connected with only two wires (0 & 130).

MATERIAL

Kit #066754 includes the following parts:

Part No.	Description	Qty
563586	Drive motor, 2-speed brushless	1
560083	Terminal, ring 3/8-16/14	1
563548	Sleeve, heat shrinking ¼-16/14	1
IS-02050A	Instruction Sheet	1
FI-02050SA	Feuille d'instructions	1

PROCEDURE

⚠ WARNING ⚠

Park vehicle safely, apply parking brake, stop engine and set battery master switch(es) to the OFF position prior to working on the vehicle.

1. Open evaporator compartment door.
2. Disconnect cables 0 & 130 from motor terminals.
3. On both air duct, unfasten all screws (figure 1) fixing the fan blower units to the discharge air ducts
4. Disconnect the temperature sensor (if applicable) on the discharge duct.
5. From under vehicle, unfasten eight (8) bolts retaining double blower fan unit base to vehicle.
6. Remove double blower fan unit complete with base from evaporator compartment (figure 2).

Warning: Never support evaporator motor assembly by its output shafts while moving it. Always use double blower fan unit base.

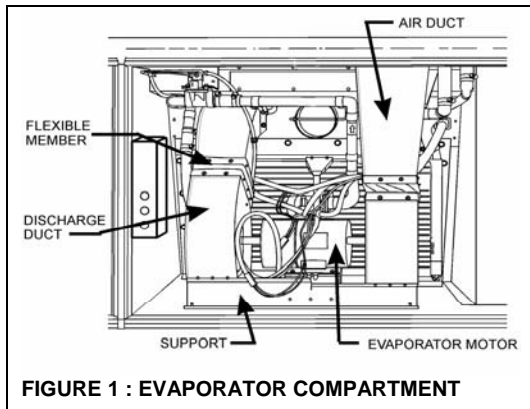


FIGURE 1 : EVAPORATOR COMPARTMENT

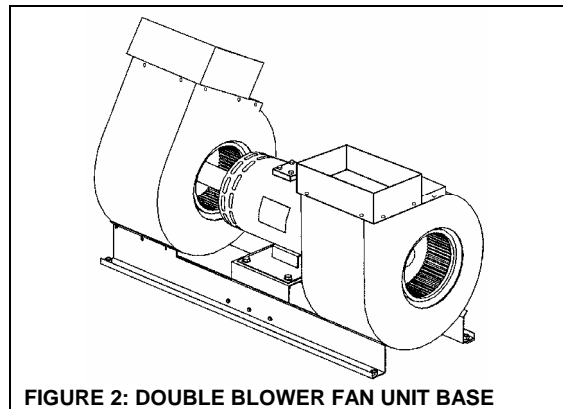


FIGURE 2: DOUBLE BLOWER FAN UNIT BASE

7. Install on a work bench the double blower fan unit complete with base. Unfasten the fan square head set screws, the Phillips head screws retaining fan casing to base and slide out the assemblies from the evaporator motor output shaft.
8. Remove motor from double blower fan unit base.
9. Install new drive motor (#563586) onto the double blower fan unit and reinstall assembly into the evaporator compartment.
10. Connect cable 130 to (+) terminal and cable 0 to (-) terminal.

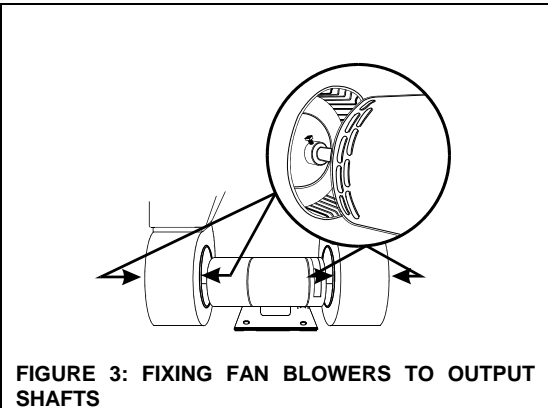


FIGURE 3: FIXING FAN BLOWERS TO OUTPUT SHAFTS

11. On the drive motor speed control wire (white), discard the connector, place the heat shrinking sleeve and crimp ring terminal #560083. Connect the ring terminal to drive motor (+) terminal (see figure 4).

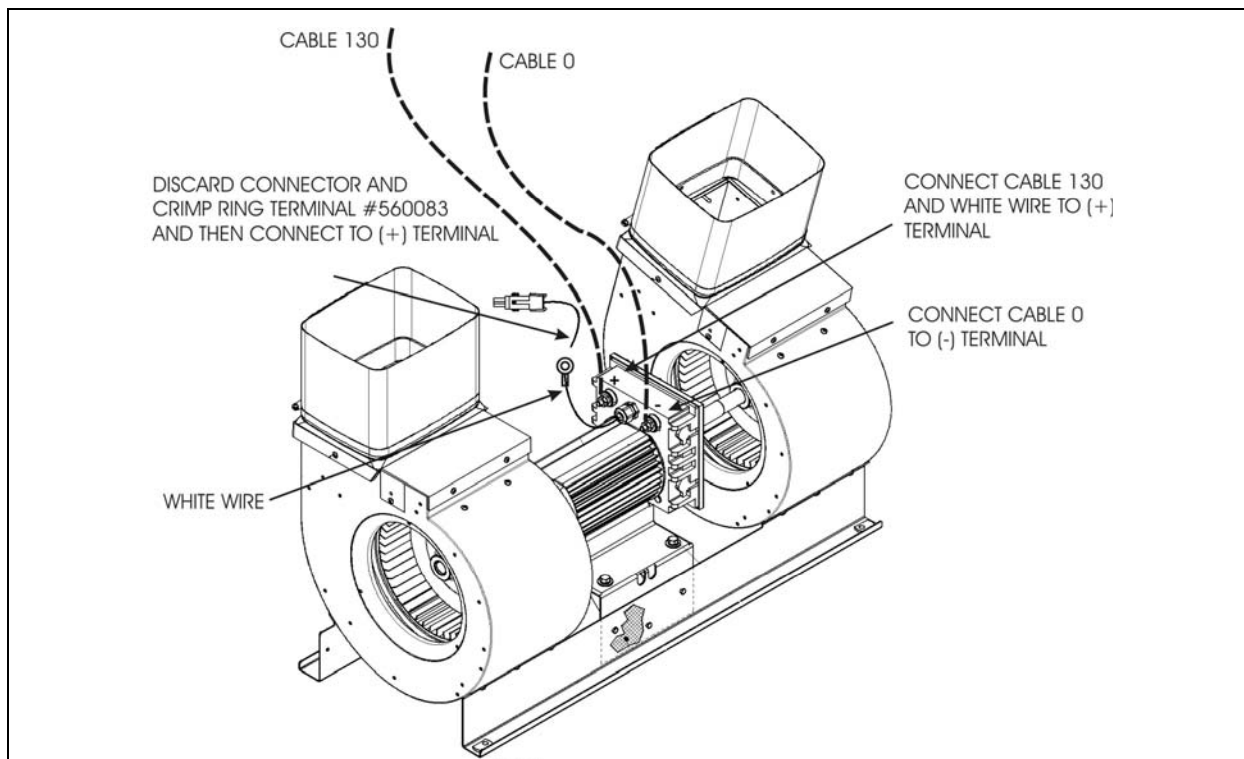


FIGURE 4 : CONNECTIONS