

Hose protection for hydraulic pressure pipe 9700 (B13R)


MODEL YEAR(S) AND VEHICLE SERIAL NUMBERS (VIN) INVOLVED

NOTICE TO SERVICE CENTERS	
Verify vehicle eligibility by checking bulletin status with SAP	
Models affected	Vehicles affected
9700 us/can Model Year : 2009 up to 2013	From 3CET2M627 <u>95127142</u> up to 3CET2S224 <u>D5155495</u> incl.
This bulletin does not necessarily apply to all the above-mentioned vehicles. Please refer to <i>SAP</i> or <i>Vehicle Warranty Information</i> tool found on Prevost-Systems tab of the Volvo Trucks Dealer Portal for exact status.	

DESCRIPTION

On the vehicles affected by this recall, there is a risk of material crack in the hydraulic pressure pipe or leakage from the soldered test nipple. If leakage occurs, oil could spray on hot engine components and self-ignite. Install a slit protection hose on the hydraulic pipe.

PROCEDURE

 DANGER
Park vehicle safely, apply parking brake, stop engine. In the battery box, set the battery cut-off switch to the OFF position prior to working on the vehicle.

The pressure pipe/hose (to the fan) with test nipple is placed on the hydraulic pump and is accessible from the gearbox service hatch.

Safety Recall

SR12-65

Date	Expiration	Group	No.	Page
10.2012	n/a	26	8675	2(5)

US07 Vehicles, order kit 199286 which includes:

Part Number	Description	Qty
---	Hose protection, US07	1
70312532	Cable tie, heat resistant	6

US10 Vehicles, order kit 199288 which includes:

Part Number	Description	Qty
---	Hose protection, US10	1
70312532	Cable tie, heat resistant	6

1. Open external and internal service hatches at the gearbox.

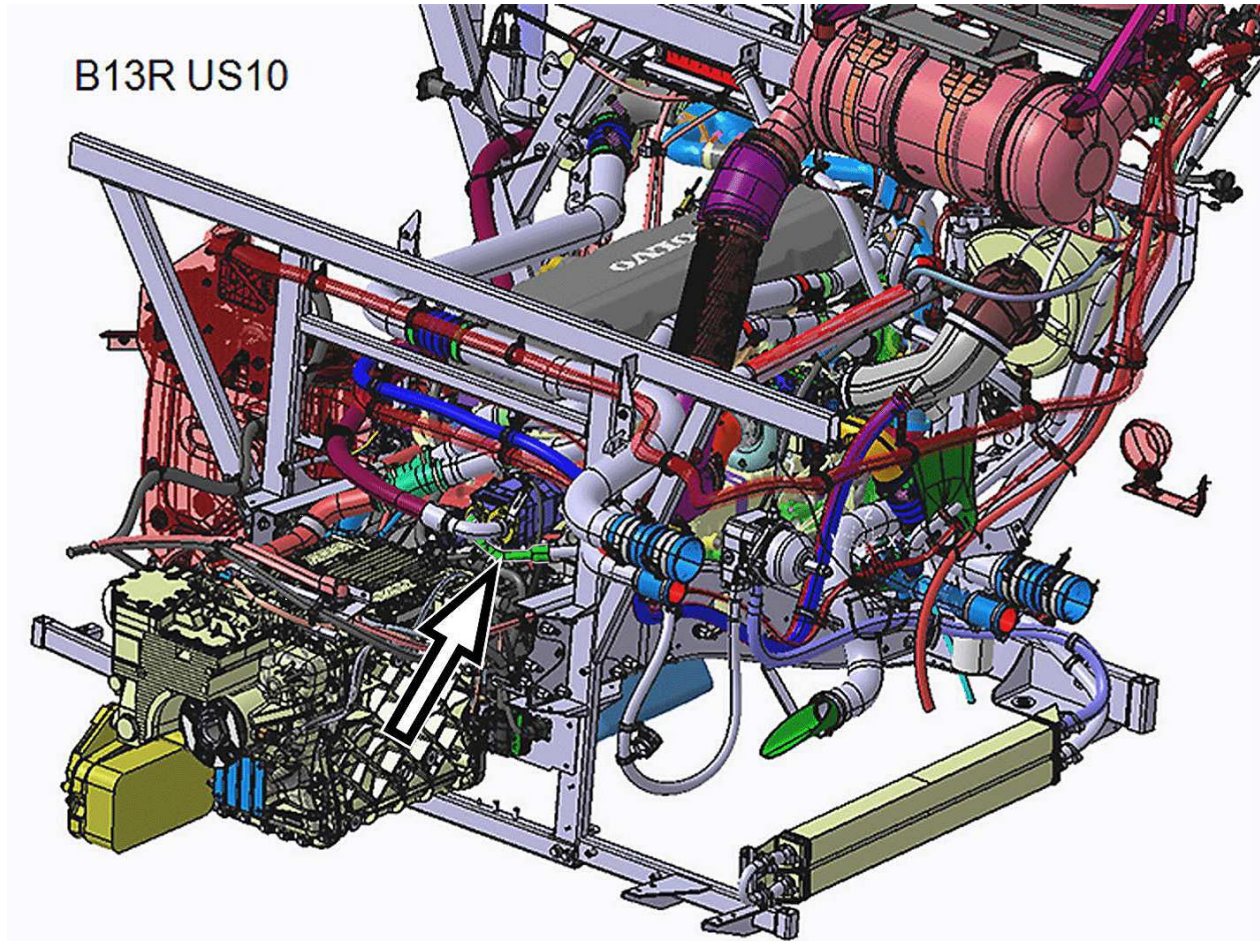


Safety Recall

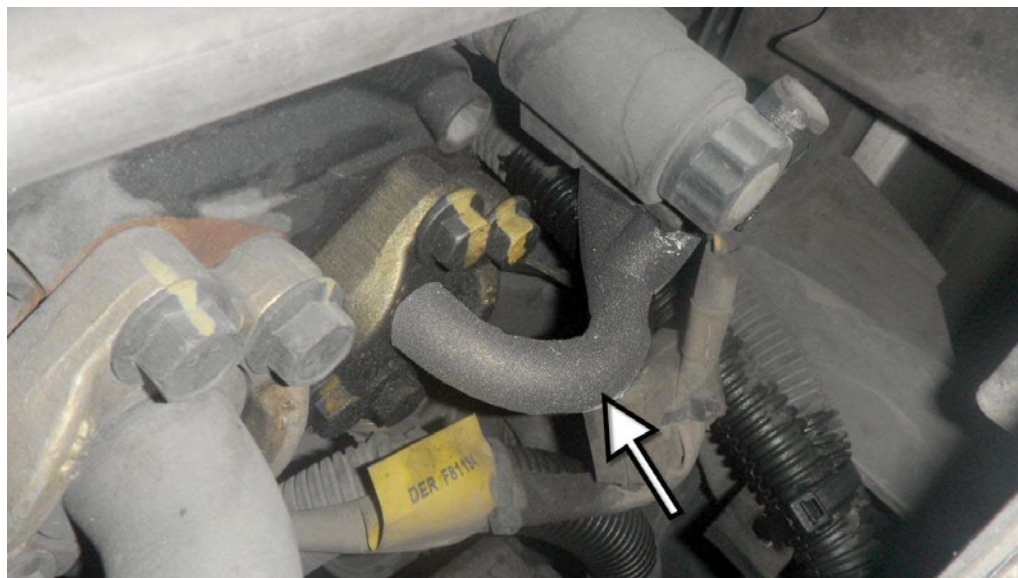
SR12-65

Date	Expiration	Group	No.	Page
10.2012	n/a	26	8675	3(5)

2. Locate the hydraulic pump and hydraulic pressure pipe. It is the smaller pipe with a test nipple. (US10 shown)



Hydraulic pressure pipe (US 07 shown)



Date	Expiration	Group	No.	Page
10.2012	n/a	26	8675	4(5)

3. Fit the supplied protection hose on the pressure pipe/hose. Rubber protection hose shall cover the whole pipe, up to the connecting flange. Due to the tight bend of the pipe, the protection hose must exceed the pipe end to cover it 100%. (US 10 shown)



Use heat resistant (white) cable ties, p/n 70312532, to secure the protection hose. Make sure the protection hose slit cut is facing downwards when hose is installed on the pipe, thus preventing any risk of oil spray on hot components.

4. Close external and internal service hatches at the gearbox.

PARTS / WASTE DISPOSAL

Discard waste according to applicable environmental regulations (Municipal/State[Prov.]/ Federal)

WARRANTY

This modification is covered by Prevo's normal warranty. We will reimburse you the parts and half an hour (0.5h) of labor upon receipt of a completed A.F.A. form on which you must specify as per "Safety Recall 12-65".

TELL US WHAT YOU THINK!

We are interested in hearing your comments or suggestions regarding this bulletin. Please e-mail them to: TechnicalPublications@volvo.com

OTHER

Safety Recall

SR12-65

Date	Expiration	Group	No.	Page
10.2012	n/a	26	8675	5(5)

VBC Campaign	C8675
Fail Code	05.04
Defect Code	09
System Condition	R
Causal Part	21482012

Prevost engages in a continuous program of testing and evaluating to provide the best possible product. Volvo Bus, however, is not committed to, or liable for updating existing products.