

**PREVOST**

EN REGISTRÉ - REGISTERED  
**ISO 9001 & ISO**




**WARRANTY  
BULLETIN**

Wb02-01

<b>DATE :</b> October 2002	<b>SECTION :</b> 18 - Body
<b>EXPIRATION:</b> October 2003	
<b>SUBJECT</b> ENGINE COMPARTMENT DOORS NEW : <b>OPENING MECHANISM</b>	

**APPLICATION**

Model	VIN
XL2-45 Coaches Model Year : 2000 - 2002	 From 2PCX33495Y1026951 up to 2PCX3349721027879 incl.

**DESCRIPTION**

On the above mentioned vehicles, the engine compartment doors opening mechanism must be modified in order to improve operation and to avoid parts corrosion.

**MATERIAL**

Kit #287225 includes the following parts :

Part No.	Description	Qty
280140	Washer, Retainer	1
280141	Plate, "Z"	2
280142	Rivet, Shoulder	1
280143	Bracket, Control Rod	2
287270	Support, Main Upper	1
287271	Rivet, Shoulder	1
287272	Rod, lower latch	1
287275	Support, Main Lower	1
287276	Rod, Connecting	1
287277	Pivot	1
287291	Support, Lower Latch	1
287314	Rod, Control	1
287381	Rod, Upper Latch	1

287382	Support, Upper Latch	1
500204	Screw, Cap Hex SS 7/16-14 x 1.25	2
502531	Screw, Cap Hex ZP M6 x 16 G8.8	12
502582	Washer, Lock Serr ZP 6.1 x 16.2 x 0.9	12
507212	O'Ring ¾ ID x 3/32	2
5001251	Nut, Lock Hex NYRT SS ¼-20	1
502910	Spring, Compression .720 x 1.75 x 0.55	2
506018	Handle, Vinyl ¼ x 4" long	1

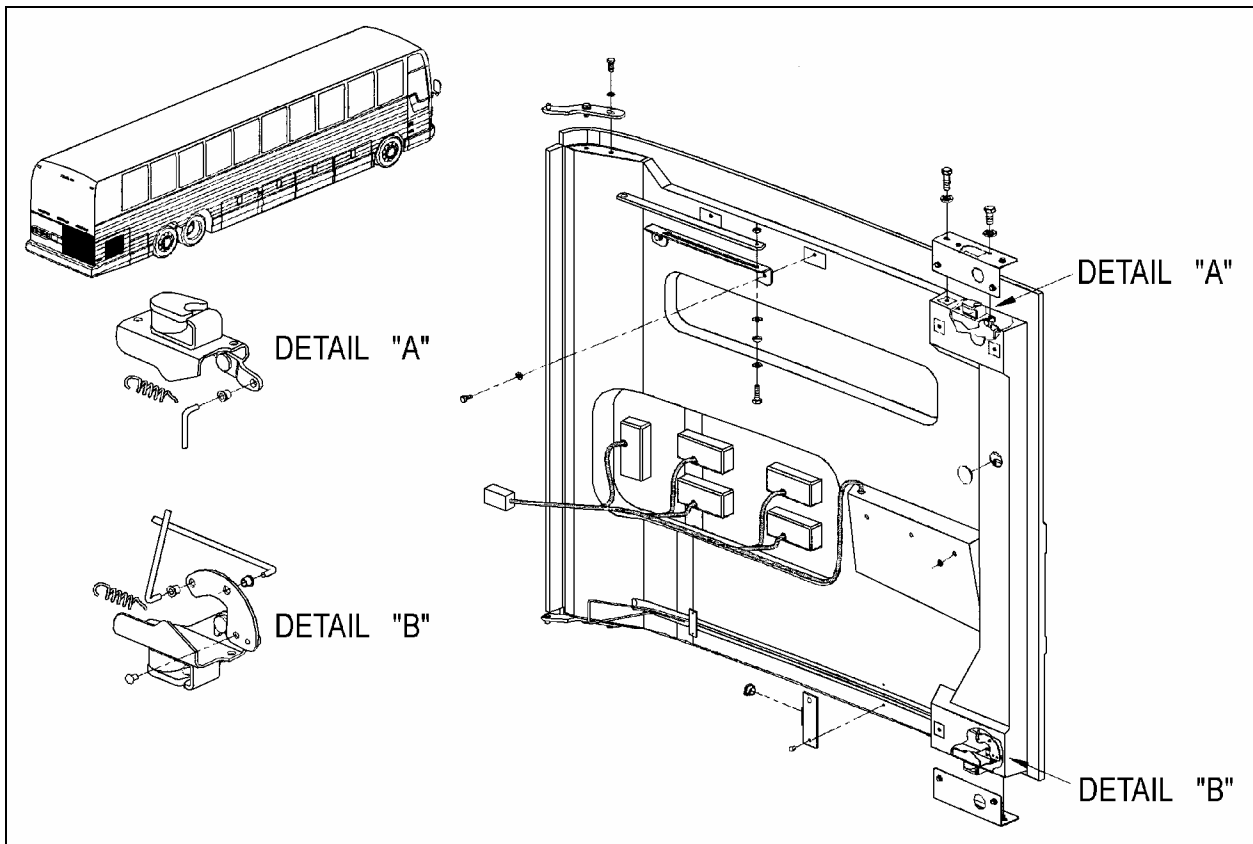
**Note** : Material can be obtained through regular channels.

## PROCEDURE

**Warning** : Park vehicle safely, apply parking brake, stop engine and set battery master switch(es) to the OFF position prior to working on the vehicle.

### REMOVAL OF FORMER OPENING MECHANISM

1. Open engine compartment doors.
2. Remove former opening mechanism: control rod with brackets, upper and lower latches and pin strikers (refer to figure 1).



**FIGURE 1: FORMER OPENING MECHANISM**

3. If required, clean control rod and latches location.

## INSTALLATION OF NEW OPENING MECHANISM

1. Insert upper latch rod (287381) into O'Ring (507212) then into upper latch support (287382).
2. Fasten upper latch support to main upper support (287270) using two cap screws (502531) and two lock washers (502582).
3. Feed connecting rod (287276) through slot in the upper latch rod (287381) then insert connecting rod through the opening in the door upper section. Temporarily fasten upper latch using 4 cap screws (502531).
4. Grind or file the opening as per dimensions indicated in figure 2. Make sure plug is in place to prevent dirt from disturbing mechanism, glue if required (refer to figure 2).

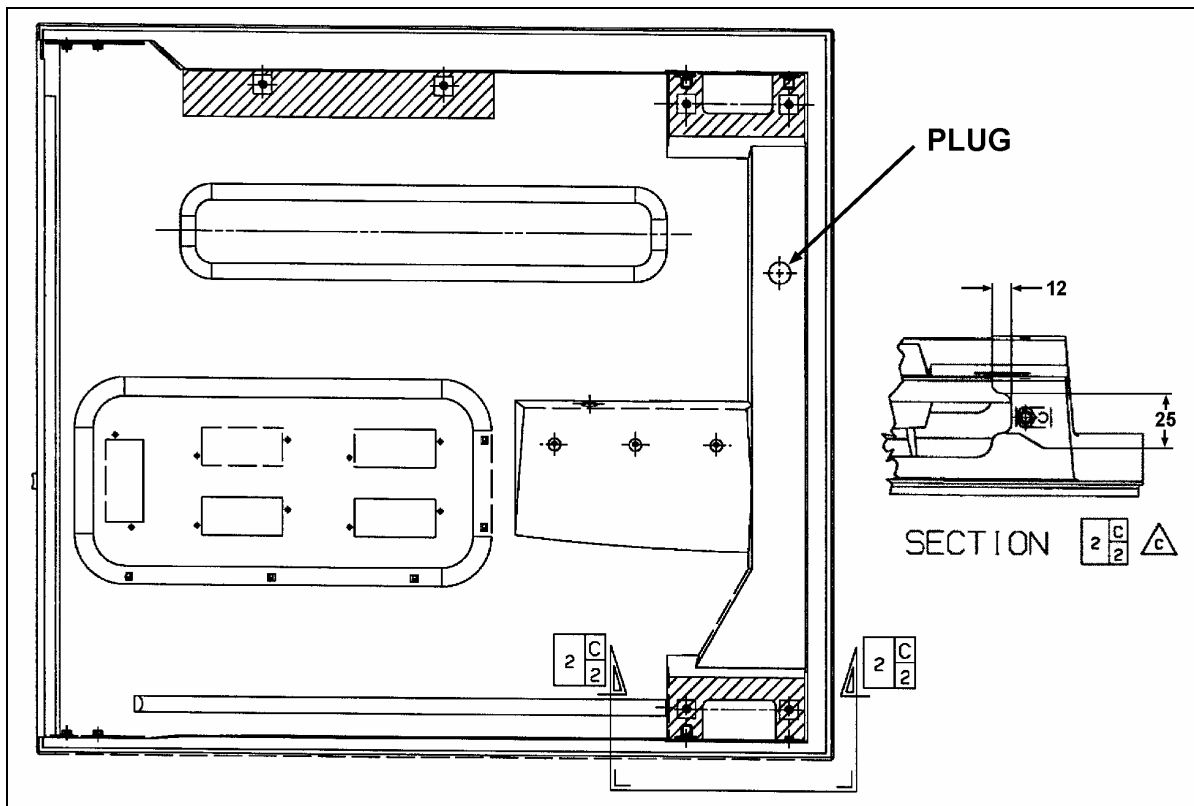


FIGURE 2: ENLARGEMENT OF OPENING

5. Insert shoulder rivet (280142) into pivot hole (287277), install retainer washer (280140) then secure assembly by hammering tip of rivet (refer to figure 4).
6. Insert shoulder rivet (287271) into pivot center hole (287277), install lower latch support (287291) then secure assembly by hammering tip of rivet.
7. Feed connecting rod (287276) through shoulder rivet (280142) and secure using lock nut (5001251).
8. Insert lower latch rod (287272) into O'Ring (507212) then into lower latch support (287291).
9. Install control rod (287314) into its housing then feed control rod through pivot hole (287277). Insert pivot into slot of lower latch rod (287272). Fasten lower latch support (287291) to main lower support (287275) using two cap screws (502531) and two washers (502582) then secure lower latch using four cap screws and four washers.
10. Fasten two control rod brackets (280143) then install handle (506018).
11. Make sure opening mechanism works properly and adjust as required.

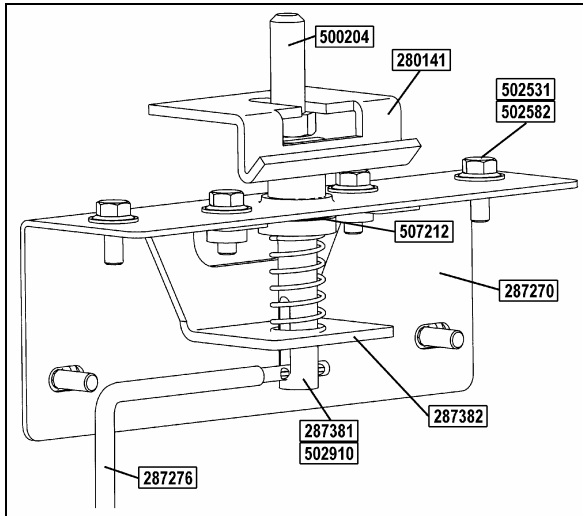


FIGURE 3 : UPPER LATCH

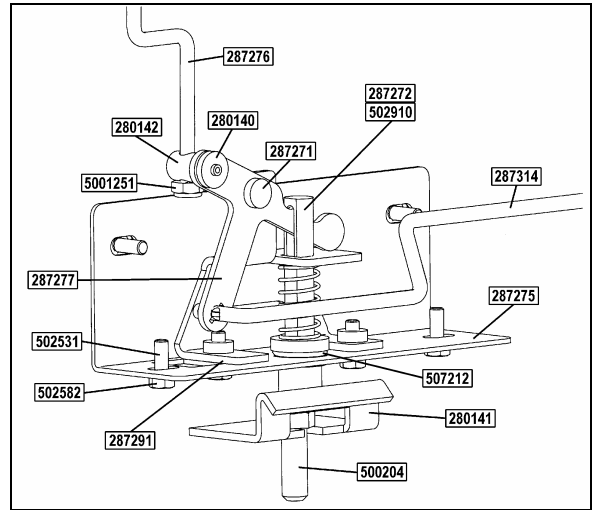


FIGURE 4 : LOWER LATCH

12. Install two "Z" plates (280141) in place of the pin strikers (refer to figure 5).

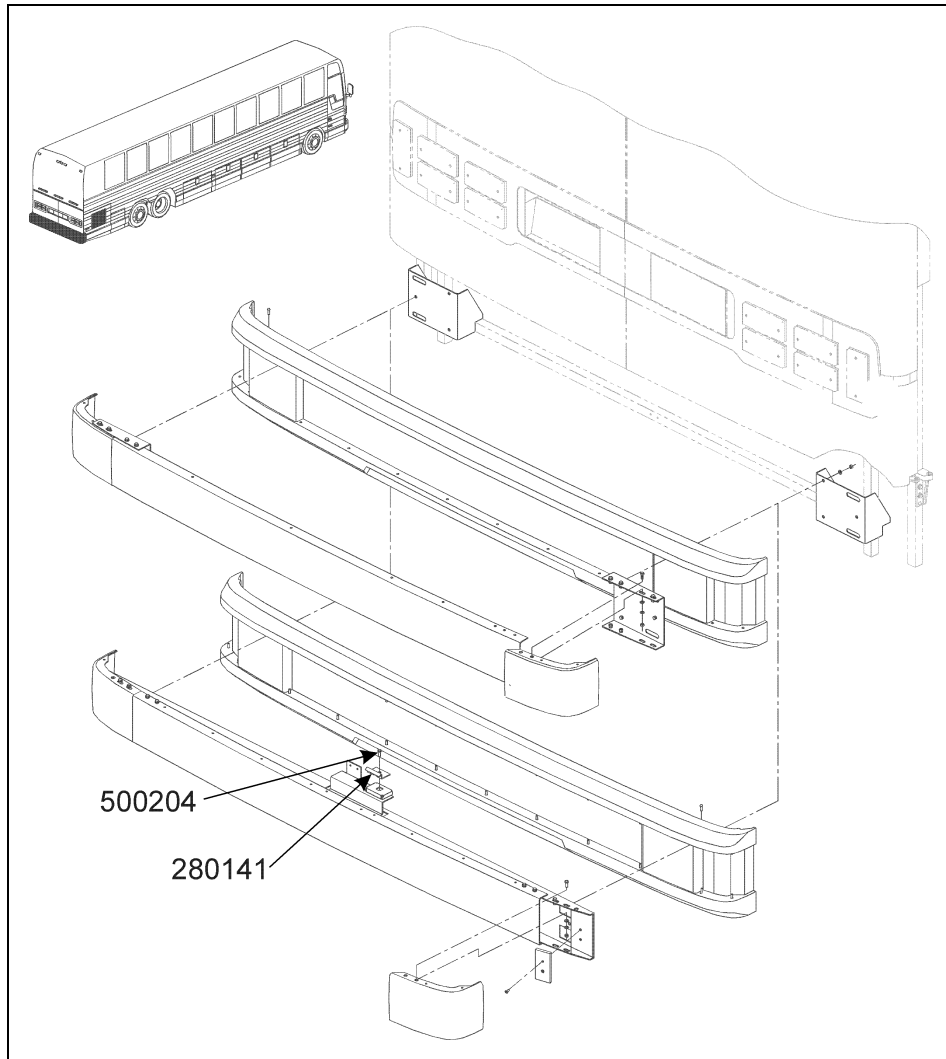


FIGURE 5: LOCATION OF "Z" PLATES

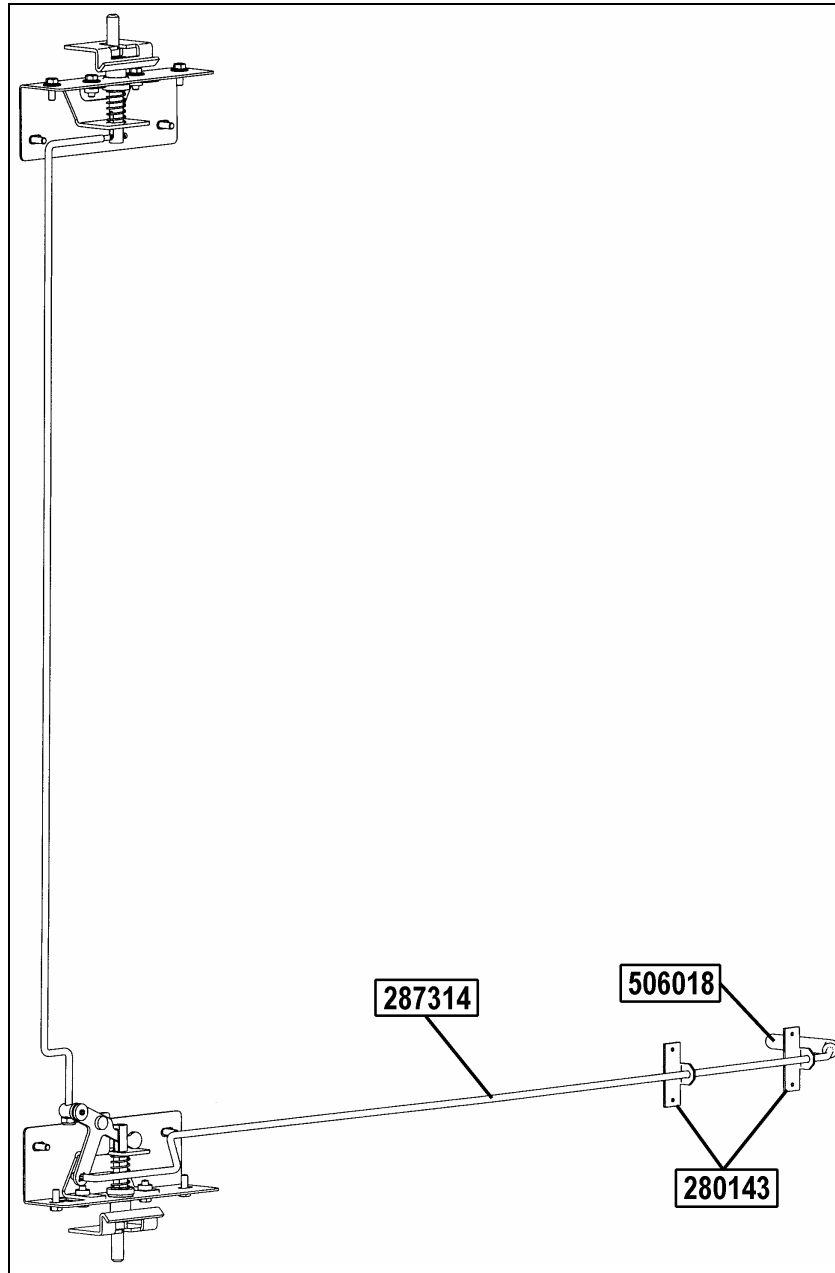


FIGURE 6: NEW OPENING MECHANISM

## WARRANTY

This modification is covered by Prévost Car's normal warranty. We will reimburse you the parts and two hours and a half (2.5) of labor upon receipt of the replaced parts and a completed A.F.A. form on which you must specify as per "Warranty Bulletin 02-01".

## Parts / Waste disposal:

Return replaced parts to Prévost Car with A.F.A. for full reimbursement.  
Discard waste according to applicable environmental regulations (Municipal/State[Prov.]/ Federal)