

PREVOST

ENREGISTRÉ - REGISTERED
ISO 9001 & ISO 14001


**WARRANTY
 BULLETIN**

Wb05-03



DATE : MARCH 2005	SECTION : 05 - Cooling
EXPIRATION: MARCH 2007	
SUBJECT: REPLACEMENT OF THE BELT TENSIONER AIR BELLOWS ATTACHMENT BRACKETS	

APPLICATION

Model	VIN
XLII-45 COACHES Model Year : 2005	 <p> 2PCX3349251028393 - 2PCX3349451028394 - 2PCX3349351028399 2PCX3349851028401 - 2PCX3349151028398 - 2PCX3349151028403 2PCX3349351028404 - 2PCX3349751028406 - 2PCX3349451028413 2PCX3349851028415 - 2PCX3349151028417 - 2PCX3349551028422 2PCX3349451028427 - 2PCX3349451028430 - 2PCX3349951028438 2PCX3349051028442 - 2PCX3349X51028447 - 2PCX3349551028453 2PCX3349251028457 - 2PCX3349351028466 - 2PCX3349551028470 2PCX3349X51028481 - 2PCX3349851028494 - 2PCX3349851028513 2PCX3349751028521 - 2PCX3349451028525 - 2PCX3349X51028528 2PCX3349X51028531 - 2PCX3349351028533 - 2PCX3349751028535 2PCX3349051028537 - 2PCX3349551028548 - 2PCX3349851028558 2PCX3349051028568 - 2PCX3349951028570 - 2PCX3349351028581 2PCX3349X51028593 - 2PCX3349951028617 </p>
XLII-40 MTH (W0) Model Year : 2005	2PCW3340651028412 - 2PCW3340351028433 2PCW3340X51028509 - 2PCW3340X51028543
XLII-45 MTH (WE) ENTERTAINER Model Year : 2005	2PCY3349751028409 - 2PCY3349651028420 - 2PCY3349551028425 2PCY3349251028432 - 2PCY3349851028435 - 2PCY3349151028437 2PCY3349751028443 - 2PCY3349051028445 - 2PCY3349851028452 2PCY3349351028455 - 2PCY3349051028462 - 2PCY3349351028472 2PCY3349251028477 - 2PCY3349651028479 - 2PCY3349251028480

2PCY3349651028482 - 2PCY3349351028486 - 2PCY3349551028487
 2PCY3349751028491 - 2PCY3349051028493 - 2PCY3349851028497
 2PCY3349151028499 - 2PCY3349351028505 - 2PCY3349951028508
 2PCY3349X51028517 - 2PCY3349151028518 - 2PCY3349551028523
 2PCY3349251028527 - 2PCY3349251028530 - 2PCY3349951028539
 2PCY3349251028544 - 2PCY3349451028545 - 2PCY3349X51028551
 2PCY3349151028552 - 2PCY3349751028555 - 2PCY3349951028556
 2PCY3349451028562 - 2PCY3349851028564 - 2PCY3349351028567
 2PCY3349951028573 - 2PCY3349251028575 - 2PCY3349351028584
 2PCY3349751028586 - 2PCY3349051028588 - 2PCY3349951028590
 2PCY3349151028597 - 2PCY3349851028600 - 2PCY3349451028609

This bulletin does not necessarily apply to all the above-mentioned vehicles, some vehicles may have been modified before delivery. The owners of the vehicles affected by this bulletin will be advised by a letter indicating the Vehicle Identification Number (VIN) of each vehicle concerned.

DESCRIPTION

On the above-mentioned vehicles, it is necessary to replace the belt tensioner air bellows attachment brackets in order to reduce the risk of rubbing between the air bellows and the belts. It is also necessary to check the air bellows and belts for signs of damage due to rubbing and to replace them if needed.

MATERIAL

XLII-45 COACHES, order the following part :

Part No.	Description	Qty
052641	Attachment Bracket, Air Bellows (engine side)	1
052644	Attachment Bracket, Air Bellows (radiator fan gearbox side)	1

NOTE

Material can be obtained through regular channels.

XLII-40 MTH (W0) & XLII-45 MTH ENTERTAINER (WE), order the following parts:

Part No.	Description	Qty
052646	Attachment Bracket, Air Bellows (engine side)	1
052645	Attachment Bracket, Air Bellows (radiator fan gearbox side)	1

NOTE

Material can be obtained through regular channels.

PROCEDURE FOR XLII-45 COACHES

⚠ WARNING ⚠

Park vehicle safely, apply parking brake, stop engine and set battery master switch(es) to the OFF position prior to working on the vehicle.

1. For parts replacement, air pressure must be released from bellows by turning the belt tensioning pressure control valve counterclockwise. This valve, mounted close to the pressure regulating valve, is manually operated. Before handling, set the rear start switch to OFF and observe all applicable safety precautions (Refer to figure 1).

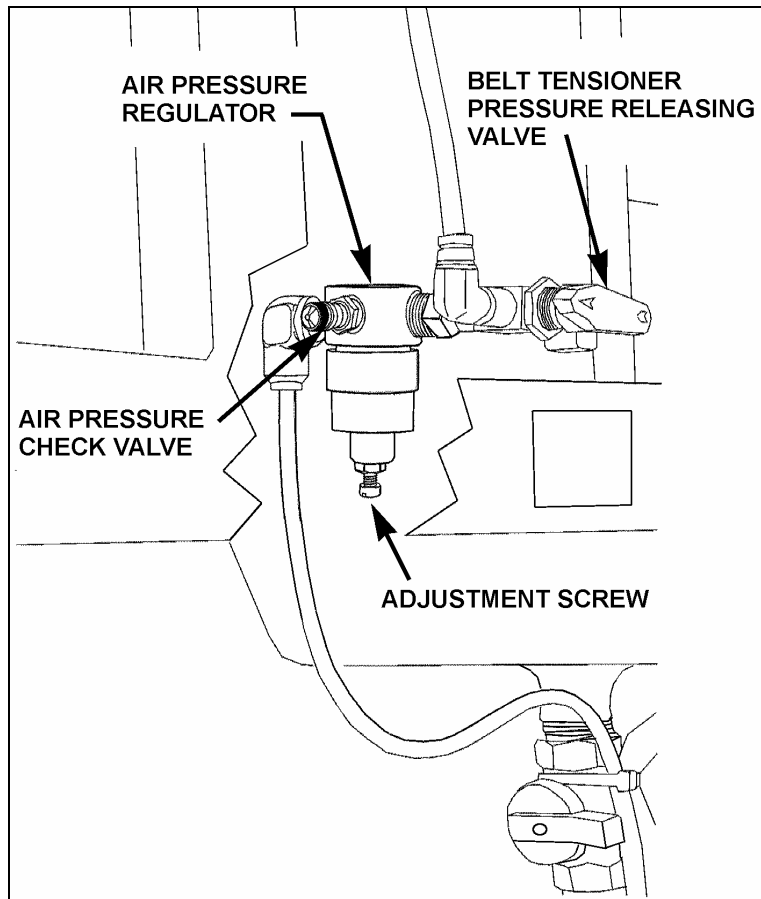


FIGURE 1

2. Disconnect the air lines then remove the air bellows fittings.
3. Dismount the air bellows attachment brackets (Refer to figure 2).
4. Reinstall the air bellows with the new attachment brackets (052641 & 052644). Tighten the bolts to the specified torque as per figure 2.
5. Check if the air bellows (550840) and belts (505522) were damaged as shown in figure 3, replace as needed.
6. Reinstall the air bellows fittings. Use some Teflon tape on the threads.
7. Turn the belt tensioner pressure releasing valve clockwise to initial position to reapply tension on the belts 50 lb/in² (345 KPa).
8. Check if the distance between the air bellows top plate and the stop is approximately 13/32" (10 mm) (Refer to figure 4).

9. If the distance is not as specified, release pressure from the air bellows. Loosen the bolts on the gearbox side attachment bracket, adjust the position of the attachment bracket then tighten the bolts. Reapply the air pressure and check the distance once again. Correct as necessary.

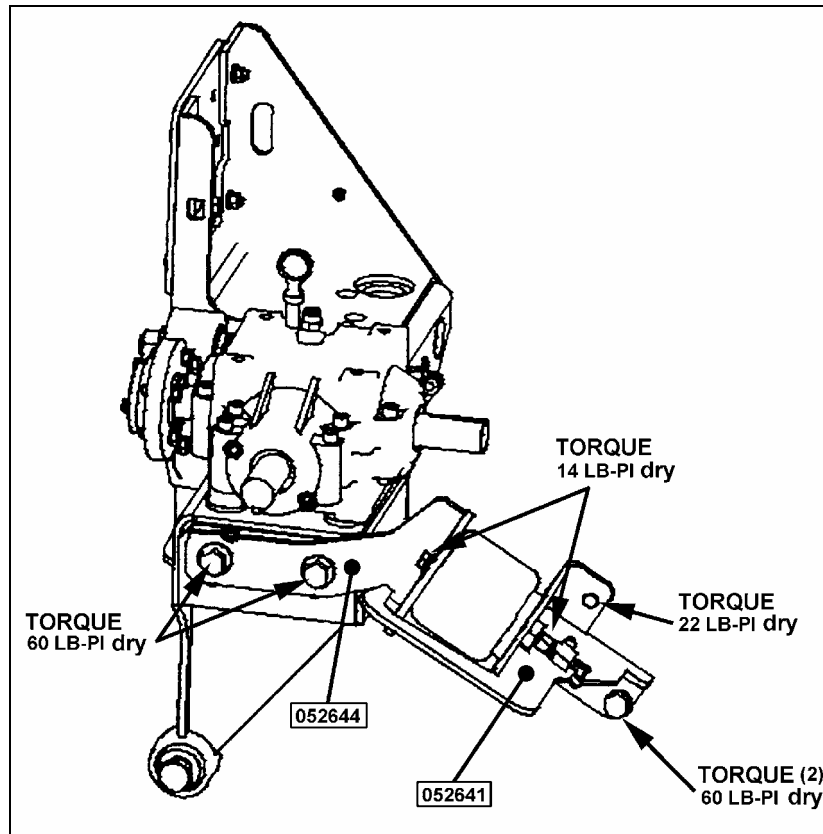


FIGURE 2



FIGURE 3

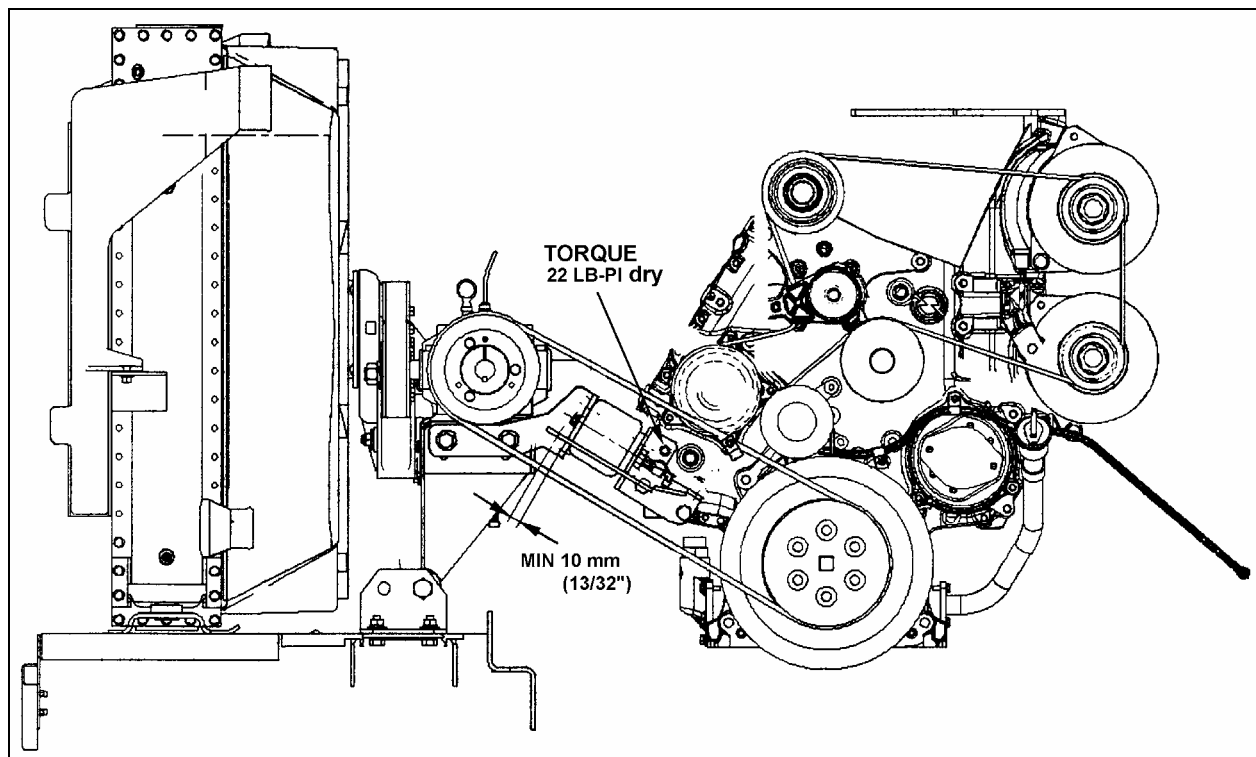


FIGURE 4

PROCEDURE FOR XLII-40 MTH (W0) & XLII-45 MTH ENTERTAINER (WE)

⚠ WARNING ⚠

Park vehicle safely, apply parking brake, stop engine and set battery master switch(es) to the OFF position prior to working on the vehicle.

1. For parts replacement, air pressure must be released from bellows by turning the belt tensioning pressure control valve counterclockwise. This valve, mounted close to the pressure regulating valve, is manually operated. Before handling, set the rear start switch to OFF and observe all applicable safety precautions (Refer to figure 1).
2. Disconnect the air lines then remove the air bellows fittings.
3. Dismount the air bellows attachment brackets (Refer to figure 5).
4. Reinstall the air bellows with the new attachment brackets (052645 & 052646). Tighten the bolts to the specified torque as per figure 5.
5. Check if the air bellows (550840) and belts (505522) were damaged as shown in figure 3, replace as needed.
6. Reinstall the air bellows fittings. Use some Teflon tape on the threads.
7. Turn the belt tensioner pressure releasing valve clockwise to initial position to reapply tension on the belts 50 lb/in² (345 KPa).
8. Check if the distance between the air bellows top plate and the stop is approximately 13/32" (10 mm) (Refer to figure 6).

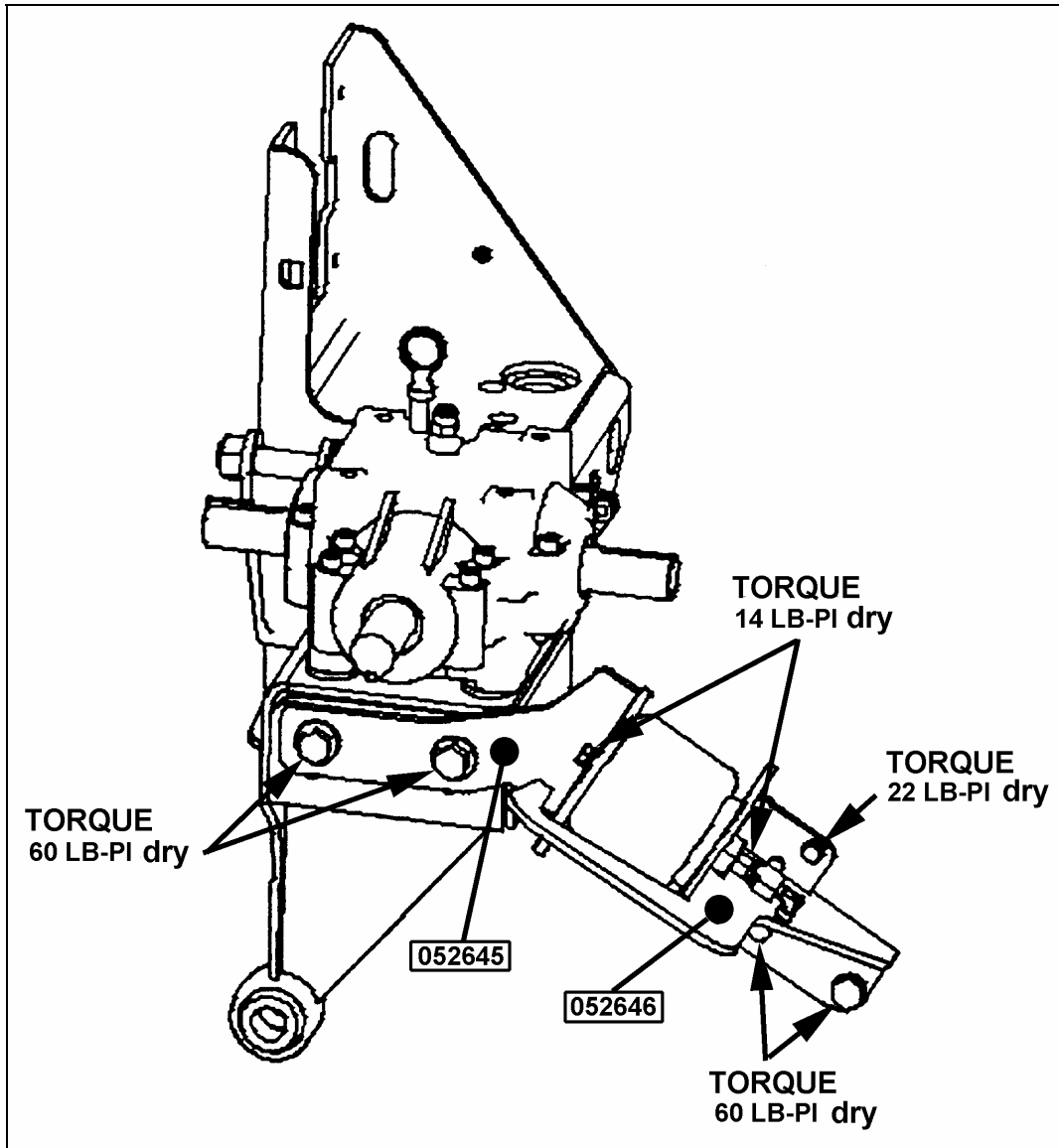


FIGURE 5

- If the distance is not as specified, release pressure from the air bellows. Loosen the bolts on the gearbox side attachment bracket, adjust the position of the attachment bracket then tighten the bolts. Reapply the air pressure and check the distance once again. Correct as necessary

WARRANTY

This modification is covered by Prevost Car's normal warranty. We will reimburse you the parts and one hour (1.0) of labor upon receipt of a completed A.F.A. form on which you must specify as per "Warranty Bulletin 05-03".

Parts / Waste disposal:

Discard waste according to applicable environmental regulations (Municipal/State[Prov.]/ Federal)

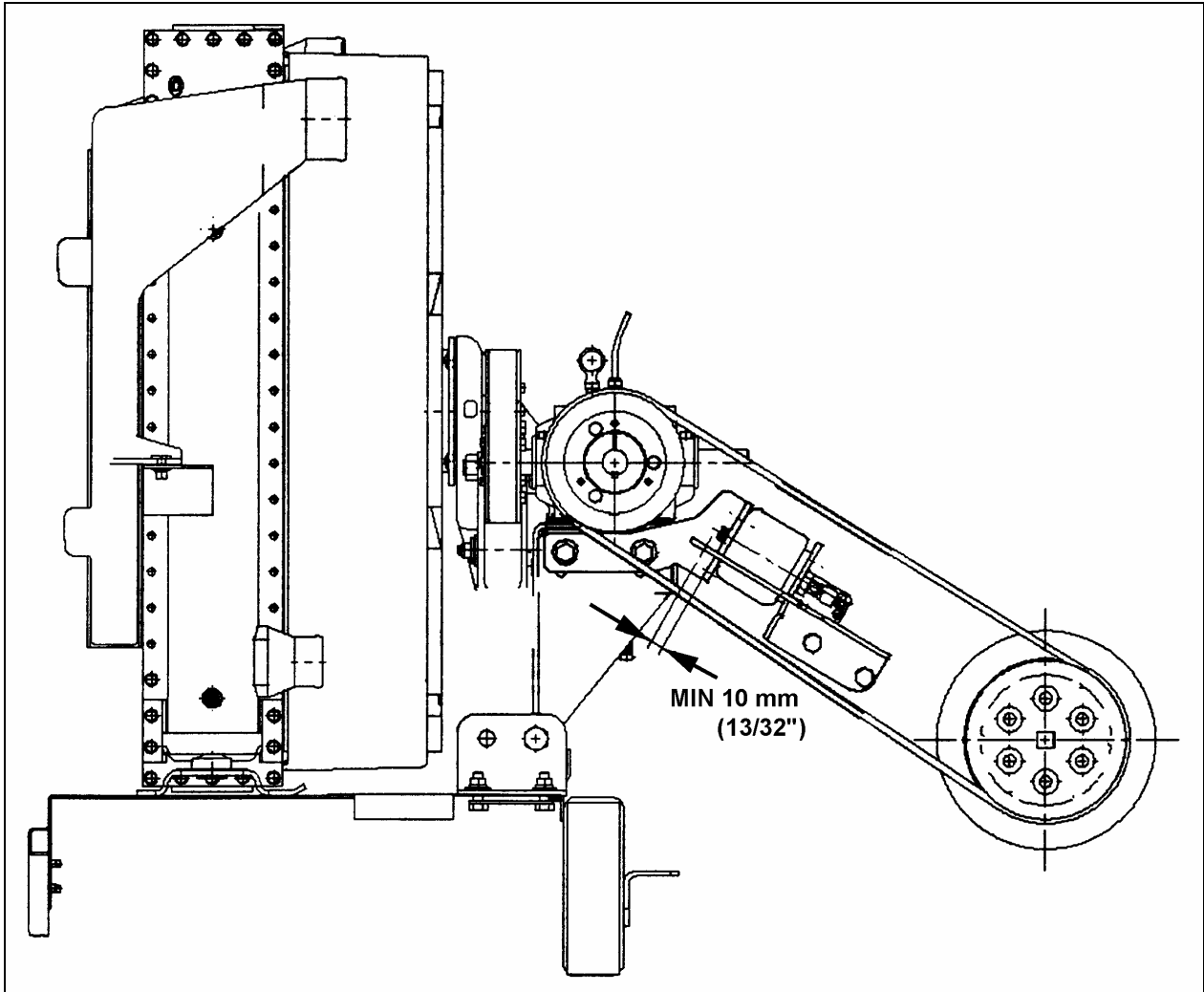


FIGURE 6