

**PREVOST**

ENREGISTRÉ - REGISTERED  
**ISO 9001 & ISO 14001**


**WARRANTY  
 BULLETIN**

Wb07-01



<b>DATE :</b> MAY 2007	<b>SECTION :</b> 16 - Suspension
<b>EXPIRATION:</b> MAY 2009	
<b>SUBJECT :</b> RETAINING RING INSTALLATION ONTO FRONT SUSPENSION SWAY BAR	

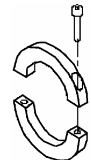
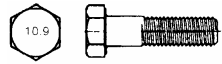

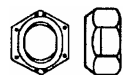
**APPLICATION**

Model	VIN	
X3-45 Coaches Equipped With I-Beam Front Axle  Model Year : 2007	 2PCG334987102 <u>8904</u> 2PCG334937102 <u>8938</u> 2PCG334937102 <u>8941</u> 2PCG334997102 <u>8944</u> 2PCG334947102 <u>8947</u> 2PCG334947102 <u>8950</u> 2PCG334987102 <u>8983</u> 2PCG334937102 <u>8986</u> 2PCG334977102 <u>8992</u> 2PCG334987102 <u>8997</u> 2PCG334917102 <u>8999</u> 2PCG334947102 <u>9001</u> 2PCG3349X7102 <u>9004</u> 2PCG334957102 <u>9007</u> 2PCG334997102 <u>9009</u> 2PCG334977102 <u>9011</u> 2PCG334907102 <u>9013</u> 2PCG334927102 <u>9014</u> 2PCG334967102 <u>9016</u> 2PCG3349X7102 <u>9018</u> 2PCG334917102 <u>9019</u> 2PCG334937102 <u>9023</u> 2PCG334977102 <u>9025</u> 2PCG334997102 <u>9026</u> 2PCG334927102 <u>9028</u> 2PCG334947102 <u>9029</u> 2PCG334927102 <u>9031</u> 2PCG334927172 <u>9034</u> 2PCG334947172 <u>9035</u> 2PCG334987172 <u>9037</u> 2PCG3349X7172 <u>9038</u> 2PCG334987172 <u>9040</u> 2PCG3349X7172 <u>9041</u> 2PCG334937172 <u>9043</u> 2PCG334977172 <u>9045</u> 2PCG334997172 <u>9046</u> 2PCG334927172 <u>9048</u> 2PCG334907172 <u>9050</u> 2PCG334927172 <u>9051</u> 2PCG334927172 <u>9065</u> 2PCG3349X7172 <u>9086</u> 2PCG334917172 <u>9087</u> 2PCG334977172 <u>9093</u>	
	This bulletin does not necessarily apply to all the above-mentioned vehicles, some vehicles may have been modified before delivery. The owners of the vehicles affected by this bulletin will be advised by a letter indicating the Vehicle Identification Number (VIN) of each vehicle concerned.	

## DESCRIPTION

On the above-mentioned vehicles, the installation of retaining rings may have been omitted on the sway bar of I-beam axle front suspension equipped vehicles. This situation may create lateral displacement of the sway bar and cause additional stress to the clamp collars. It is necessary to check the presence of retaining rings identified in this bulletin and to install them if necessary.

## MATERIAL

Part No.	Description	Identification	Qty
563042	Ring, Retaining		2
500806	Bolt, Hex. Head DP M12X35 G10.9		8
955897	Washer, Flat ZP 13X42X2		8
500811	Nut, Heax. STOVER DP M12-1.75		8

### NOTE

Material can be obtained through regular channels.

## PROCEDURE



### DANGER

Park vehicle safely, apply parking brake, stop engine and set battery master switch(es) to the OFF position prior to working on the vehicle.

### STEP 1

Check if the retaining rings were installed onto the vehicle front sway bar (Refer to figures 1 and 2).

### NOTE

Two retaining rings are required, one on each clamp collar side towards the center of vehicle

If the retaining rings were installed, the procedure is complete. If the retaining rings are missing, proceed with step 2.

### STEP 2

1. Center sway bar with reference to clamp collars.
2. Install retaining rings. Apply some "Loctite" 243 blue onto the retaining ring bolt threads.

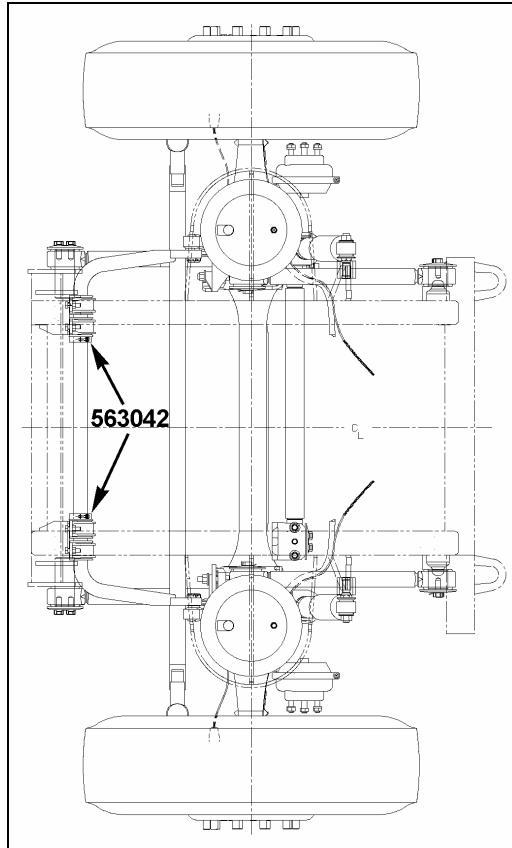


FIGURE 1



**CAUTION**

If you have difficulty centering the sway bar, it is necessary to withdraw the clamp collars then to reinstall them after centering the sway bar using new bolts (500806), washers (955897) and nuts (500811). Reapply "Valvoline" (Refer to figure 3).

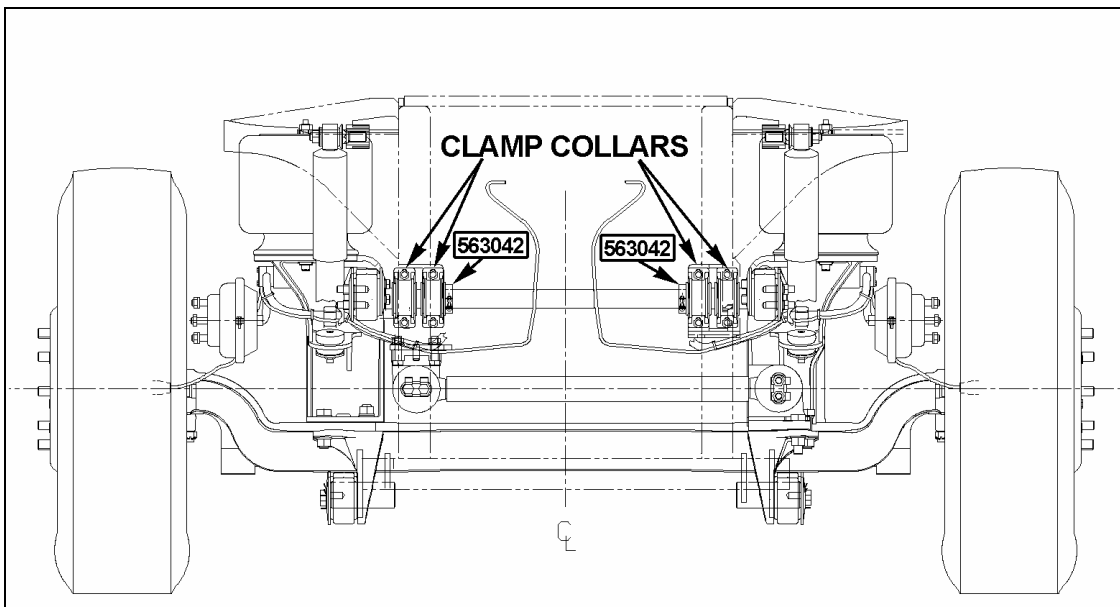


FIGURE 2

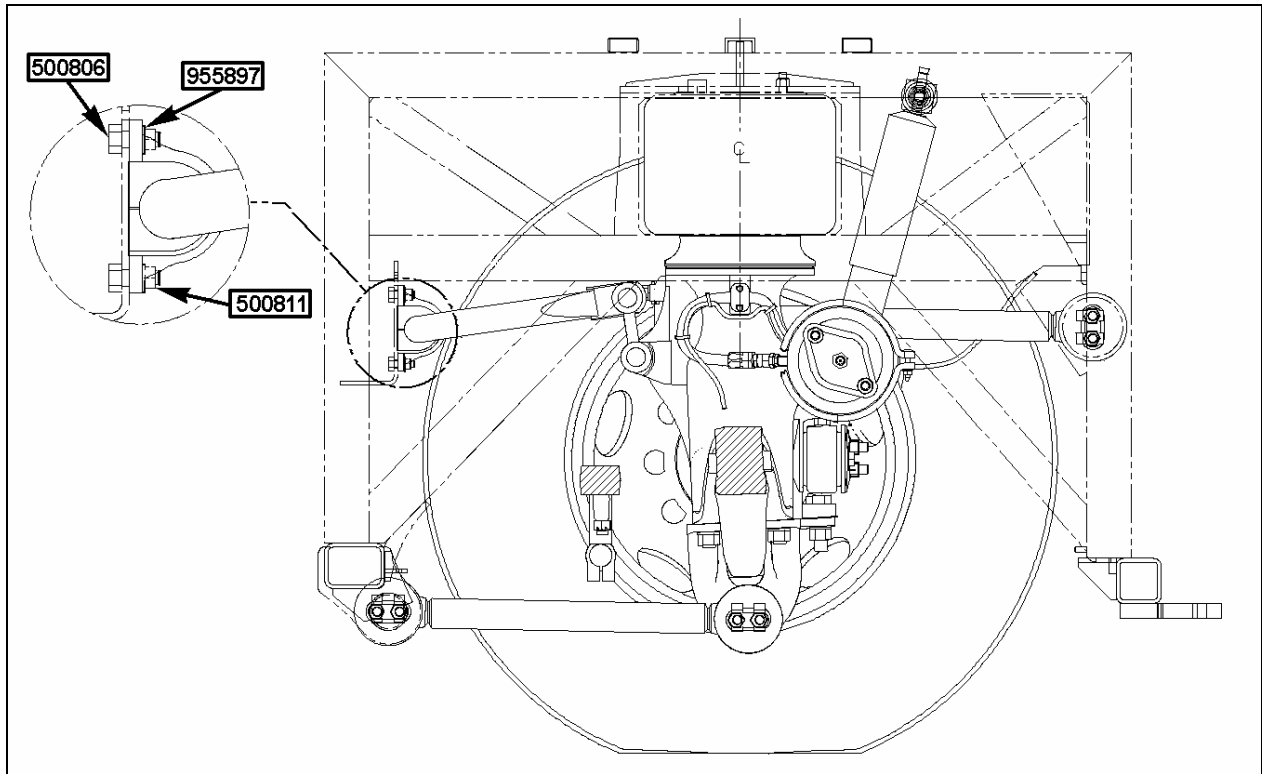


FIGURE 3

## WARRANTY

This modification is covered by PrevoSt Car's normal warranty. We will reimburse you the parts and one hour (1.0) of labor upon receipt of a completed A.F.A. form on which you must specify as per "Warranty Bulletin 07-01".

## Parts / Waste disposal:

Discard waste according to applicable environmental regulations (Municipal/State[Prov.]/ Federal)