

**PREVOST**

ENREGISTRÉ - REGISTERED  
ISO 9001 & ISO 14001




**WARRANTY  
BULLETIN**

Wb07-03

<b>DATE:</b> MAY 2007	<b>SECTION:</b> 23 - Accessories
<b>EXPIRATION:</b> MAY 2009	
<b>SUBJECT:</b> INSTALLING DECAL WARNING AGAINST PERFORMING ANY WELDING WORK	

**APPLICATION**

Model	VIN	
H3-41, H3-45 Coaches Model Year : 2005 – 2006 - 2007	 2PCH33499 <u>5</u> 101 <u>0249</u> 2PCH33499 <u>5</u> 101 <u>0252</u> 2PCH33498 <u>5</u> 101 <u>0257</u>	
	2PCH33495 <u>5</u> 101 <u>0264</u> 2PCH33498 <u>6</u> 101 <u>0440</u> 2PCH33493 <u>6</u> 101 <u>0443</u>	
	2PCH33497 <u>6</u> 101 <u>0445</u> 2PCH33494 <u>6</u> 101 <u>0466</u> 2PCH33498 <u>6</u> 101 <u>0468</u>	
	2PCH33496 <u>6</u> 101 <u>0470</u> 2PCH3349X <u>6</u> 101 <u>0472</u> 2PCH33498 <u>6</u> 101 <u>0485</u>	
	2PCH33498 <u>6</u> 101 <u>0518</u> 2PCH33413 <u>6</u> 101 <u>0520</u> 2PCH3349X <u>6</u> 101 <u>0522</u>	
	2PCH33493 <u>6</u> 101 <u>0524</u> 2PCH33495 <u>6</u> 101 <u>0525</u> 2PCH33411 <u>6</u> 101 <u>0547</u>	
	2PCH33496 <u>6</u> 101 <u>0548</u> 2PCH33498 <u>6</u> 101 <u>0549</u> 2PCH33496 <u>6</u> 101 <u>0565</u>	
	2PCH33498 <u>6</u> 101 <u>0566</u> 2PCH33410 <u>6</u> 101 <u>0605</u> 2PCH33495 <u>6</u> 101 <u>0606</u>	
	2PCH33493 <u>7</u> 101 <u>0623</u> 2PCH33493 <u>7</u> 101 <u>0637</u> 2PCH33497 <u>7</u> 101 <u>0642</u>	
	2PCH33492 <u>7</u> 101 <u>0645</u> 2PCH33494 <u>7</u> 101 <u>0646</u> 2PCH33498 <u>7</u> 101 <u>0648</u>	
	2PCH33496 <u>7</u> 101 <u>0650</u> 2PCH33498 <u>7</u> 101 <u>0651</u> 2PCH33491 <u>7</u> 101 <u>0653</u>	
	2PCH33493 <u>7</u> 101 <u>0654</u> 2PCH33499 <u>7</u> 101 <u>0657</u>	
	<p><b>This bulletin does not necessarily apply to all the above-mentioned vehicles, some vehicles may have been modified before delivery. The owners of the vehicles affected by this bulletin will be advised by a letter indicating the Vehicle Identification Number (VIN) of each vehicle concerned.</b></p>	

**DESCRIPTION**

On the above-mentioned vehicles, there is a possibility that the decal warning against performing any welding work when the vehicle is equipped with an Automatic Fire Detection and Suppression System (AFSS), was not installed in the engine compartment.

The system might activate by mistake if arc or gas welding is performed.

## MATERIAL

Part No.	Description	Qty
405729	Decal, English	1
405730	Decal, Bilingual	1

### NOTE

Material can be obtained through regular channels.

## PROCEDURE



### DANGER

Park vehicle safely, apply parking brake, stop engine and set battery master switch(es) to the OFF position prior to working on the vehicle.

1. Open engine compartment door then check if decal was installed, if not install as per figure 1.

### NOTE

Choose the proper decal according to the requirements.

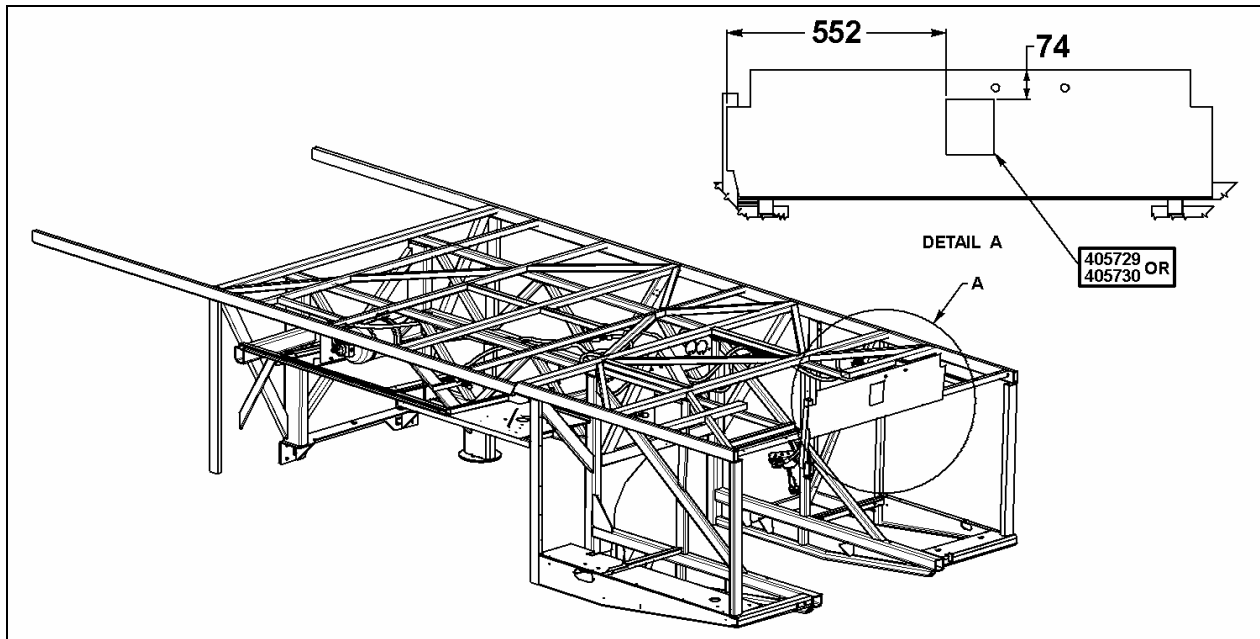


FIGURE 1

## WARRANTY

This modification is covered by Prevest Car's normal warranty. We will reimburse you the parts and one quarter hour (0.25) of labor upon receipt of the replaced parts and a completed A.F.A. form on which you must specify as per "Warranty Bulletin 07-03".