

PREVOST

ENREGISTRÉ - REGISTERED
ISO 9001 & ISO 14001



**WARRANTY
BULLETIN**

Wb08-09

DATE : JULY 2008	SECTION : 16 - Suspension
EXPIRATION: JULY 2010	
SUBJECT : REMOVAL OF EXPANSION TANKS LOCATED ABOVE DRIVE AXLE SUPPORT FRAME DOUBLE CROSS MEMBER	


APPLICATION

Model	VIN
X3-45 Coaches Model Year : 2007 - 2008	From 2PCG3349471028754 up to 2PCG334958C729356 incl.
<p>This bulletin does not necessarily apply to all the above-mentioned vehicles, some vehicles may have been modified before delivery. The owners of the vehicles affected by this bulletin will be advised by a letter indicating the Vehicle Identification Number (VIN) of each vehicle concerned.</p>	

DESCRIPTION


On the above-mentioned vehicles, the L.H. side and R.H. side expansion tanks located above the drive axle support frame double cross member must be removed. There is a possibility for the expansion tanks to rub against the air springs and thus create premature wear.

PROCEDURE

 **DANGER**

Park vehicle safely, apply parking brake, stop engine and set battery master switch(es) to the OFF position prior to working on the vehicle.

MATERIAL

Part No.	Description	Identification	Qty
641175	Fitting, Elbow, Male 3/8 Tube X 1/2 NPT		2

130988	Hose, Nylon Blue 3/8" I.D. (43" long)	2
--------	---------------------------------------	---

NOTE
 Material can be obtained through regular channels.

1. Raise L.H. and R.H. side hinged rear fenders.
2. To access the expansion air tanks and air springs, remove the protective panels located in front of drive axle wheels (Refer to figure 1).

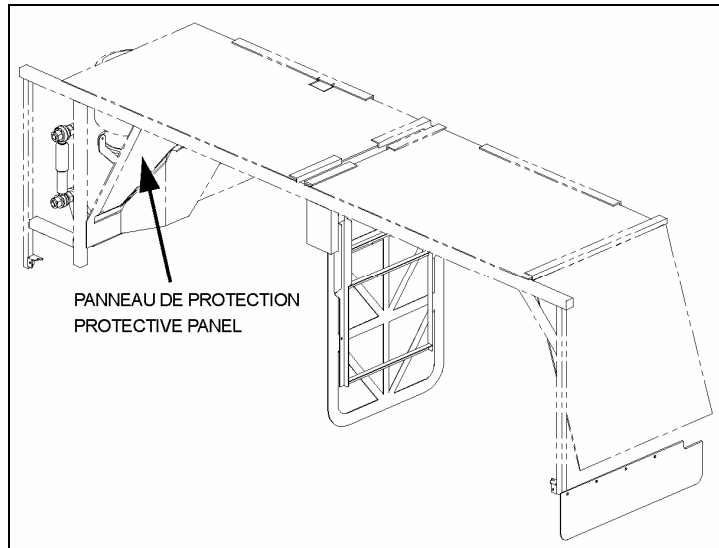


FIGURE 1

3. Remove the air from the drive axle support frame air springs. To do so, dismantle the link assembly from the height control valves (Refer to figure 2). Lower the valve lever to purge the air from the air springs.

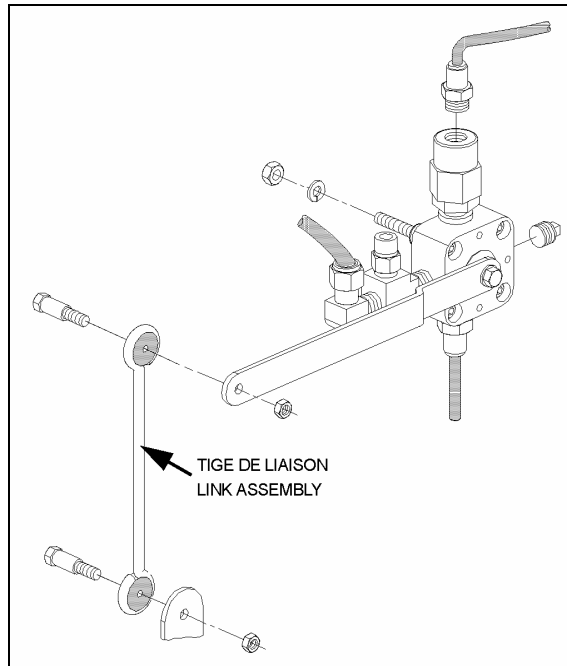


FIGURE 2

4. Raise rear of the vehicle using the tag axle jacking points.
5. Remove air hoses and fittings from expansion tanks.
6. Dismount air tank holding clamps then remove air tanks (Refer to figure 3).



FIGURE 3

7. Remove elbow fitting located on top of air spring (Refer to figure 4).



FIGURE 4

8. Install elbow fitting (641175) onto top of air spring.

NOTE

Apply some "Loctite 567 Thread Sealant" onto fittings.

9. Connect 43" long air hose (130988) between elbow fitting located onto top of air spring and height control valve (Refer to figures 5 and 6).



FIGURE 5

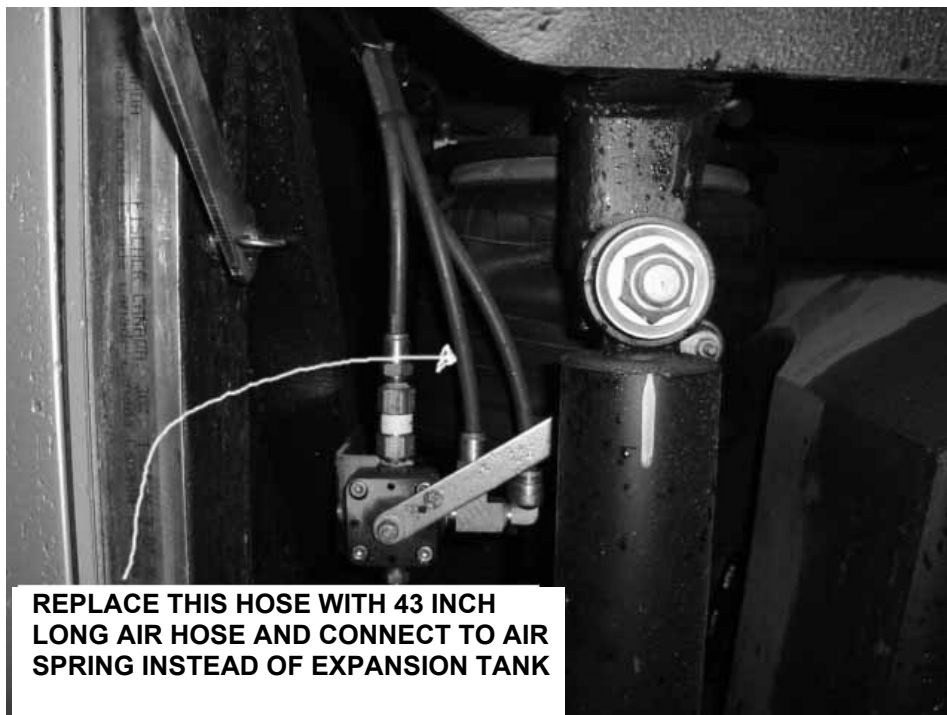


FIGURE 6

10. Secure new hose using nylon ties (Ty-rap).
11. Pressurize the air system and check for leaks.
12. Reinstall the protective panels located in front of drive axle wheels.

WARRANTY

This modification is covered by Prevost's normal warranty. We will reimburse you the parts and two hours (2.0) of labor upon receipt of the replaced parts and a completed A.F.A. form on which you must specify as per "Warranty Bulletin 08-09".

Parts / Waste disposal:

Return replaced parts to Prevost Car with A.F.A. for full reimbursement.
--