

PREVOST

ENREGISTRÉ - REGISTERED
ISO 9001 & ISO 14001



**WARRANTY
BULLETIN**

Wb09-12

DATE : AUGUST 2009	SECTION :	18 - BODY
EXPIRATION: AUGUST 2011		
SUBJECT : HEADLIGHTS REPLACEMENT		

APPLICATION

Model	VIN		
VIP Motorhome Model Year: 2009	2PCV33496 9C71 1411		
H3-41, H3-45 Coaches Model Year: 2009 - 2010	2PCH33499 9C71 1318	2PCH33491 AC71 1477	2PCH33491 AC71 1494
	2PCH33494 9C71 1386	2PCH33493 AC71 1478	2PCH33497 AC71 1497
	2PCH33495 9C71 1431	2PCH33495 AC71 1479	2PCH33499 AC71 1498
	2PCH33499 AC71 1470	2PCH33499 AC71 1484	2PCH33490 AC71 1504
	2PCH33492 AC71 1472	2PCH3341X AC71 1486	2PCH33492 AC71 1505
	2PCH33494 AC71 1473	2PCH33494 AC71 1487	
	2PCH33496 AC71 1474	2PCH33496 AC71 1488	
	2PCH33498 AC71 1475	2PCH33496 AC71 1491	

DESCRIPTION

Prevost has noticed a quality issue on products made by its headlight supplier. Defective headlights get misted-up and water droplets form inside the housing and on the inner side of the lens. After a product improvement process, this issue has been corrected by the supplier.

Prevost has determined that the vehicles listed above were delivered before the improved headlights were available. We encourage you to replace the headlights on your above listed vehicles as soon as possible.

Prevost will pay for the replacement of headlights of the same type as those installed on the vehicle at time of delivery, as stated on the following table. You can upgrade from halogen headlight to xenon headlight, but you will meet the difference in cost.

Take note that you must absolutely return the replaced headlights for full reimbursement.

MATERIAL TO ORDER

The following vehicles were delivered with HALOGEN headlights:

Part No	Description	Qty	VIN
930402	LEFT HALOGEN HEADLIGHT	1	2PCH334999C711318 2PCV334969C711411 2PCH33492AC711472 2PCH33498AC711475
930403	RIGHT HALOGEN HEADLIGHT	1	2PCH33494AC711487 2PCH33496AC711488 2PCH33496AC711491

The following vehicles were delivered with XENON headlights:

Part No	Description	Qty	VIN
930404	LEFT XENON HEADLIGHT	1	2PCH334949C711386 2PCH334959C711431 2PCH33499AC711470 2PCH33494AC711473 2PCH33496AC711474 2PCH33491AC711477 2PCH33493AC711478 2PCH33495AC711479
930405	RIGHT XENON HEADLIGHT	1	2PCH33499AC711484 2PCH3341XAC711486 2PCH33491AC711494 2PCH33497AC711497 2PCH33499AC711498 2PCH33490AC711504 2PCH33492AC711505

NOTE

Material can be obtained through regular channels.

PROCEDURE



DANGER

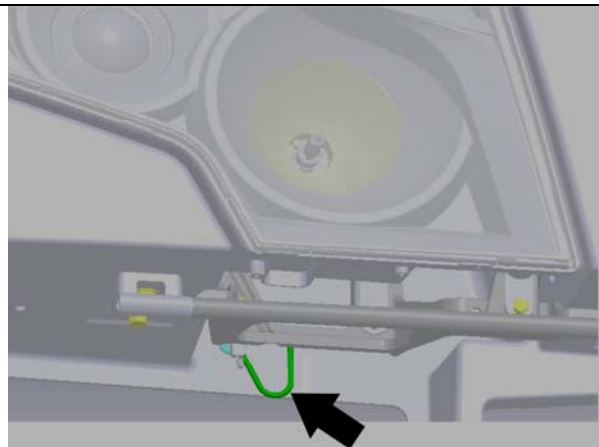
Park vehicle safely, apply parking brake, stop engine and set battery master switch(es) to the OFF position prior to working on the vehicle.



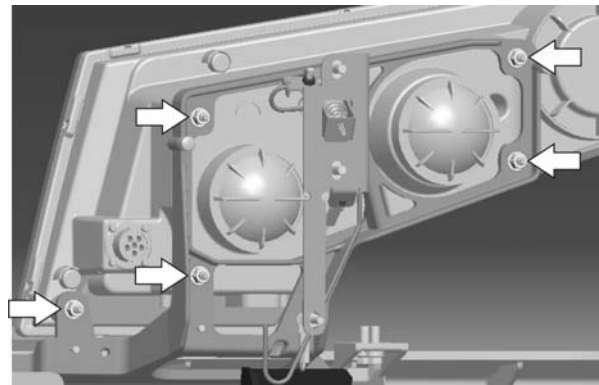
WARNING

- To prevent burning yourself, do not replace the light bulbs while they are hot.
- Headlight bulbs have pressurized gas inside and require special handling. They can burst or shatter if scratched or dropped. Hold a bulb only by its plastic case. Do not touch the glass part of a bulb with bare hands.

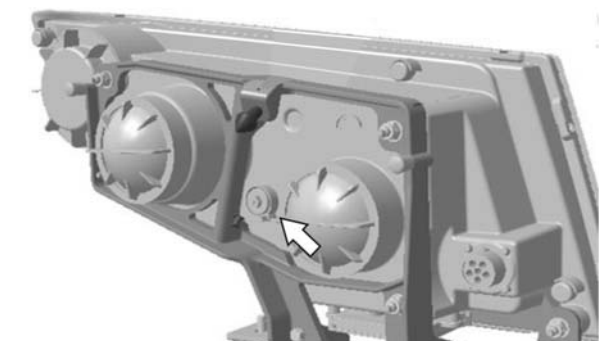
1. Make sure the ignition switch and light switch are off.
2. Open the front reclining bumper.
3. Pull on the rod indicated by the black arrow to rock the headlight housing.



4. Remove 5 indicated nuts (white arrows) and disconnect the electrical harness. **Do not loosen any other piece of hardware as you could lose the original headlight adjustment.**
5. Remove the headlight housing.
6. Install the new headlight housing. To do so, repeat the previous steps in reverse order.



7. The headlight position in relation to the support doesn't need to be readjusted.
8. Headlight aiming is adjusted at time of manufacturing and doesn't need to be readjusted. However, should an adjustment be necessary, the vertical aiming is provided by one adjusting screw (indicated by white arrow) that pivots both high and low beams simultaneously.



WARRANTY

This modification is covered by Prevost's normal warranty. We will reimburse you the parts and one hour (1.0) of labor upon receipt of the replaced parts and a completed A.F.A. form on which you must specify as per "Warranty Bulletin 09-12".

Parts / Waste disposal:

Return replaced parts to Prevost with A.F.A. for full reimbursement.