

PREVOST

ENREGISTRÉ - REGISTERED
ISO 9001 & ISO 14001


**WARRANTY
BULLETIN**

Wb09-24



DATE: FEBRUARY 2010	SECTION: 03 - Fuel
EXPIRATION: FEBRUARY 2012	
SUBJECT: CHECKING IF VOLVO ENGINES NOT EQUIPPED WITH "DAVCO FUEL PRO 382" FILTER ARE FITTED WITH TWO FUEL FILTERS	

APPLICATION

Model	VIN 
H3-45 Coach equipped with a primary fuel filter but <u>without</u> heating element Model Year: 2008	2PCH334988C711096
H3-45 Coaches equipped with a primary fuel filter <u>c/w</u> heating element Model Year: 2008 – 2009 - 2010	2PCH334968C710948 – 2PCH334948C710995 – 2PCH334918C711263 2PCH334928C711272 - 2PCH334998C711303 - 2PCH3349X9C711313 2PCH334939C711329 - 2PCH334919C711331 - 2PCH334959C711333 2PCH334999C711335 - 2PCH334929C711337 - 2PCH334969C711339 2PCH334959C711378 - 2PCH334929C711385 - 2PCH334949C711386 2PCH334989C711391 - 2PCH334979C711396 - 2PCH334959C711400 2PCH334999C711402 - 2PCH334919C711409 - 2PCH334959C711428 2PCH334939C711430 - 2PCH334959C711431 - 2PCH334929C711435 2PCH334969C711437 - 2PCH3349X9C711439 - 2PCH334939C711444 2PCH334979C711446 - 2PCH33498AC711539 - 2PCH33499AC711551 2PCH33490AC711552 - 2PCH33492AC711553 - 2PCH33494AC711554
X3-45 Coaches equipped with a primary fuel filter <u>c/w</u> heating element Model Year: 2008 – 2009 - 2010	2PCG334948C729364 - 2PCG334919C729582 - 2PCG334959C729584 2PCG3349X9C729614 - 2PCG3349X9C729712 - 2PCG334979C729733 2PCG334909C729752 - 2PCG3349XAC729830
<p>This bulletin does not necessarily apply to all the above-mentioned vehicles, some vehicles may have been modified before delivery. The owners of the vehicles affected by this bulletin will be advised by a letter indicating the Vehicle Identification Number (VIN) of each vehicle concerned.</p>	

DESCRIPTION

On the vehicles affected by this bulletin and equipped with a Volvo engine, there is a possibility that the primary fuel filter be absent.

Engine starting during cold weather could be more difficult and an engine breakdown could occur if the water separation system was missing. All vehicles equipped with a Volvo engine but not equipped with "Davco Fuel Pro 382" filter are affected.

MATERIAL

Part No.	Description	Qty
20879806	Cartridge, Primary Fuel Filter	1
20875050	Bowl, Water Separation with Heating Element	1
20771580	Bowl, Water Separation	1

NOTE

Material can be obtained through regular channels.

PROCEDURE



DANGER

Park vehicle safely, apply parking brake, stop engine and set battery master switch(es) to the OFF position prior to working on the vehicle.

INSPECTION

1. Check if vehicle is equipped with "Davco Fuel Pro 382" filter. If Davco fuel filter is present, the procedure is done. There is nothing else to do (Refer to figures 1 and 2).

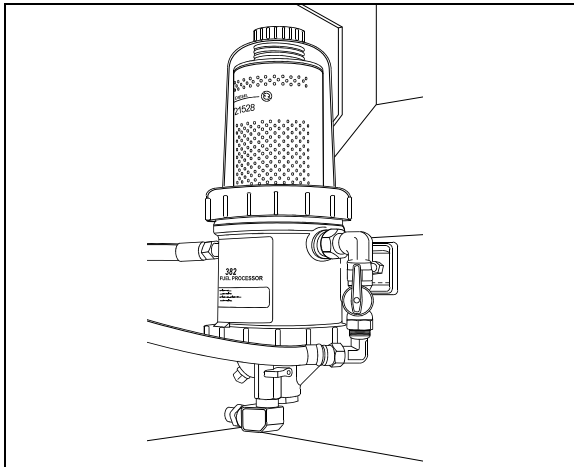


FIGURE 1: INSTALLATION ON H3-45 COACHES

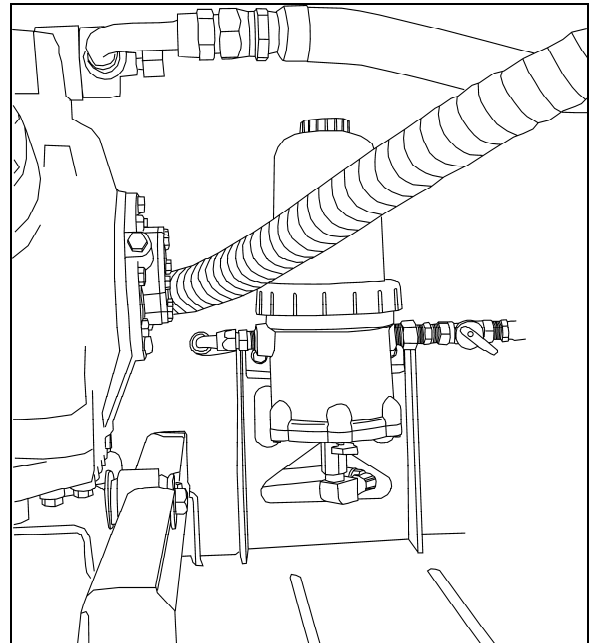


FIGURE 2: INSTALLATION ON X3-45 COACHES

2. If the vehicle is not equipped with “Davco Fuel Pro 382” filter, perform step 2: INSTALLATION.

INSTALLATION

1. On engine alternator side, check if two fuel filters are present. If primary fuel filter is absent, one must be installed (Refer to figure 3).
2. In the case of vehicle 2PCH334988C711096 equipped with a primary fuel filter but without heating element, order parts #20879806 and 20771580.
3. All other vehicles equipped with a primary fuel filter c/w heating element, order parts #20879806 and 20875050.
4. Before the installation, remove the cap and fill the filter with clean fuel to prevent restarting problems.

NOTE

Keep the cap to send it with A.F.A. for full reimbursement.

5. Start the vehicle and allow running for a few minutes to remove any remaining air in the system.

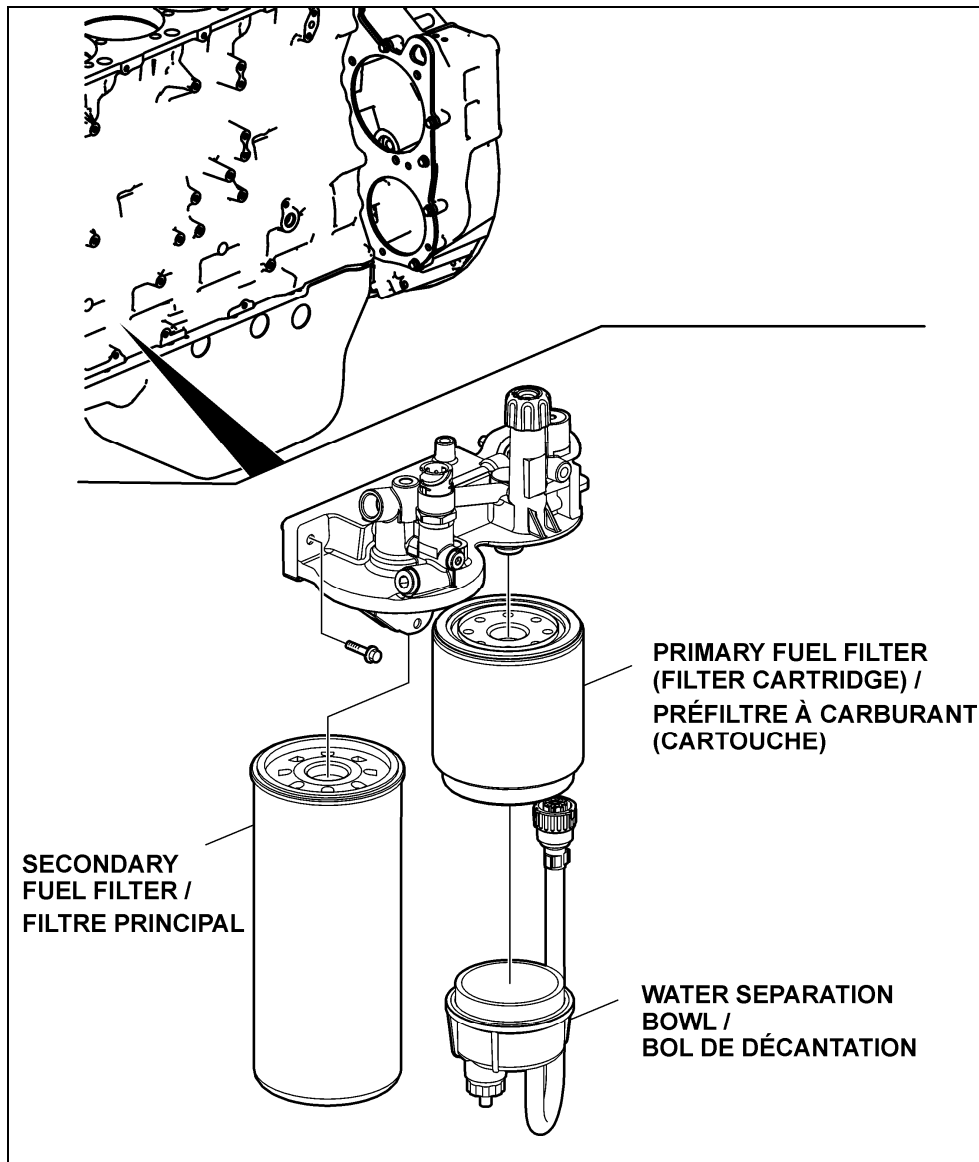


FIGURE 3: ENGINE ALTERNATOR SIDE – VERIFICATION OF TWO FILTERS

WARRANTY

This modification is covered by Prevost's normal warranty.

INSPECTION

We will reimburse you $\frac{1}{4}$ **hour (0.25) of labor** for doing the inspection upon receipt of a completed A.F.A. form on which you must specify as per "Warranty Bulletin 09-24".

INSTALLATION

We will reimburse you the parts and **one hour (1.0) of labor** upon receipt of the cap and a completed A.F.A. form on which you must specify as per "Warranty Bulletin 09-24".

Parts / Waste disposal:

Return cap to Prevost with A.F.A. for full reimbursement.
