

# PREVOST

ENREGISTRÉ - REGISTERED  
ISO 9001 & ISO 14001

## WARRANTY BULLETIN

Wb11-02



DATE : MARCH 2011	SECTION : 01 - Engine
EXPIRATION: MARCH 2013	
SUBJECT : REPLACING T1 BOSCH ALTERNATORS AND WATER PUMP BELT TENSIONERS	

### APPLICATION

Model	VIN
H3-41, H3-45 Coaches Equipped with Volvo D13 US07 engines Model Year : 2008 up to 2010	From 2PCH334968C710948 up to 2PCH33490AC711681 incl.
X3-45 Coaches Equipped with Volvo D13 US07 engines Model Year : 2008 up to 2010	From 2PCG334978C729259 up to 2PCG33498AC729969 incl.
XLII-45E Bus Shells Equipped with Volvo D13 US07 engines Model Year : 2009 - 2010	From 2PCY334979C729591 up to 2PCY33497AC729952 incl.

This bulletin does not necessarily apply to all the above-mentioned vehicles, some vehicles may have been modified before delivery. The owners of the vehicles affected by this bulletin will be advised by a letter indicating the Vehicle Identification Number (VIN) of each vehicle concerned.

### DESCRIPTION

On the vehicles affected by this bulletin, the alternators and water pump belt tensioners must be replaced in order to improve reliability of installation.

### MATERIAL

Kit #012696 for water pump belt tensioner includes the following parts:

Part No.	Description	Qty
D050140	DIAGRAM, FAN DRIVE D13 H3-V5-W5	1
D050141	DIAGRAM, FAN DRIVE D13 X3-W0-WE	1

012695	SUPPORT	1
510991	TENSIONER, BELT	1
5001620	SCREW, CAP HEXS G500 M10-1.5 X 35 LG	1
5001799	SCREW, CAP HEXF N500 M10-1.5 X 70 G10.9	1
5060110	BELT, POLY V 10 PK 1512 MM LG	1

The following parts are necessary to replace Bosch T1 alternators belt tensioner

Part No.	Description	Qty
21422767	TENSIONER, BELT	1
5060111	BELT, POLY V 8 PK 1995 MM LG	1

**NOTE**

Material can be obtained through regular channels.

**PROCEDURE**



**DANGER**

Park vehicle safely, apply parking brake, stop engine and set battery master switch(es) to the OFF position prior to working on the vehicle.

1. Set the starter selector switch to the OFF position.
2. .Remove tension from belts.

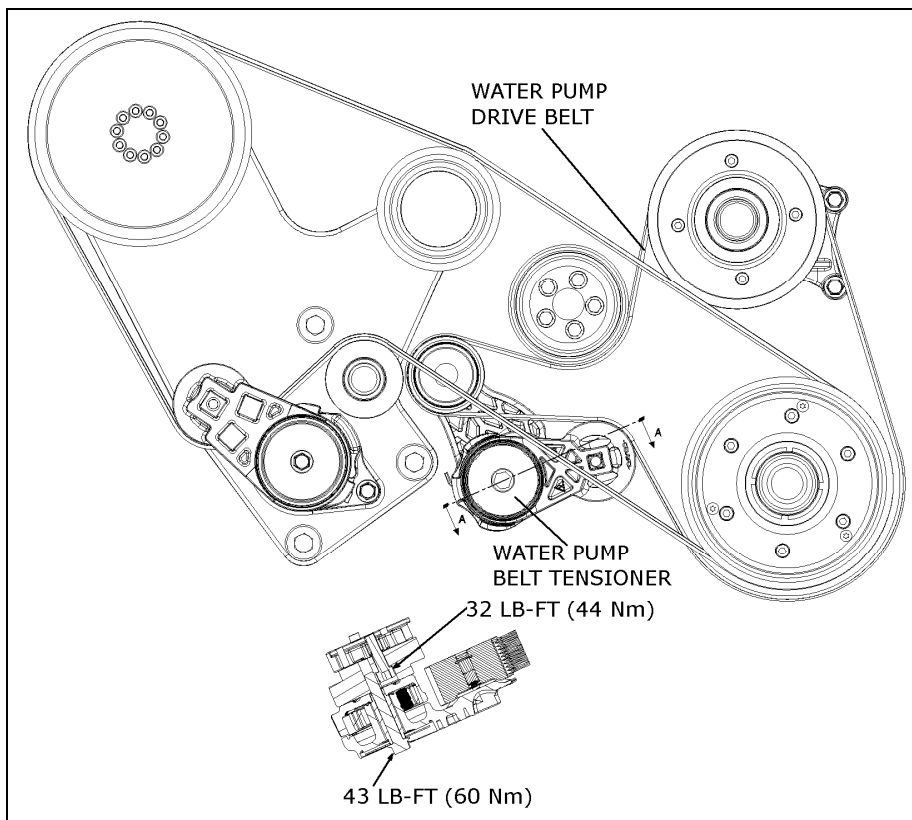


FIGURE 1

3. Insert a  $\frac{3}{4}$ " socket drive into the belt tensioner opening and remove fan shaft drive belt, set aside.
4. In the same manner, remove A/C compressor, water pump and Bosch T1 alternators drive belts.

**NOTE**

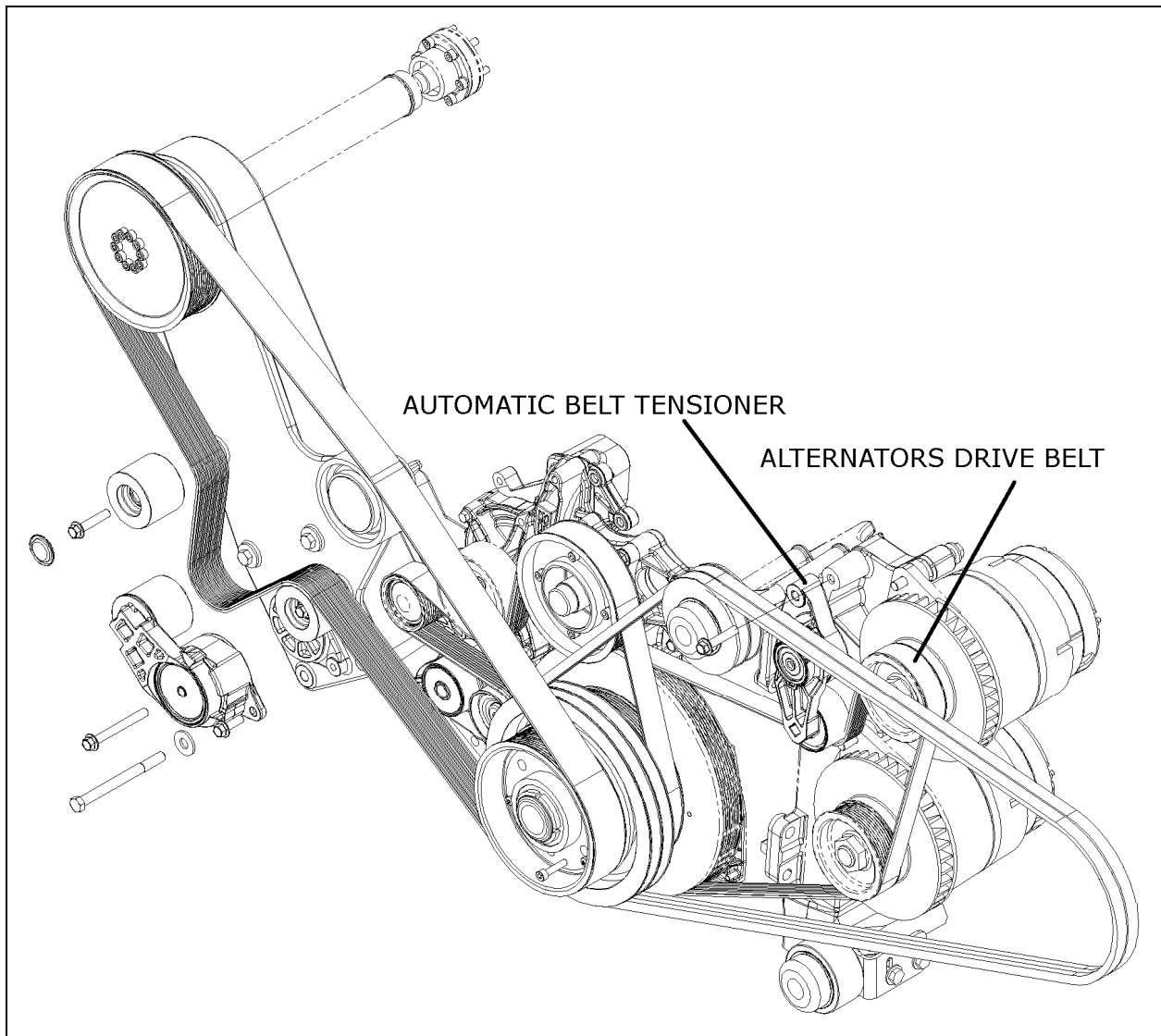
*Water pump and Bosch T1 alternators drive belts will be replaced with new severe duty belts.*

5. Fix water pump belt tensioner support (012695) using cap screw (5001620). Torque tighten to 32 Lb-Ft (44 Nm).

**NOTE**

*Apply some Loctite 243 (680038) onto threads of two cap screws before fastening them.*

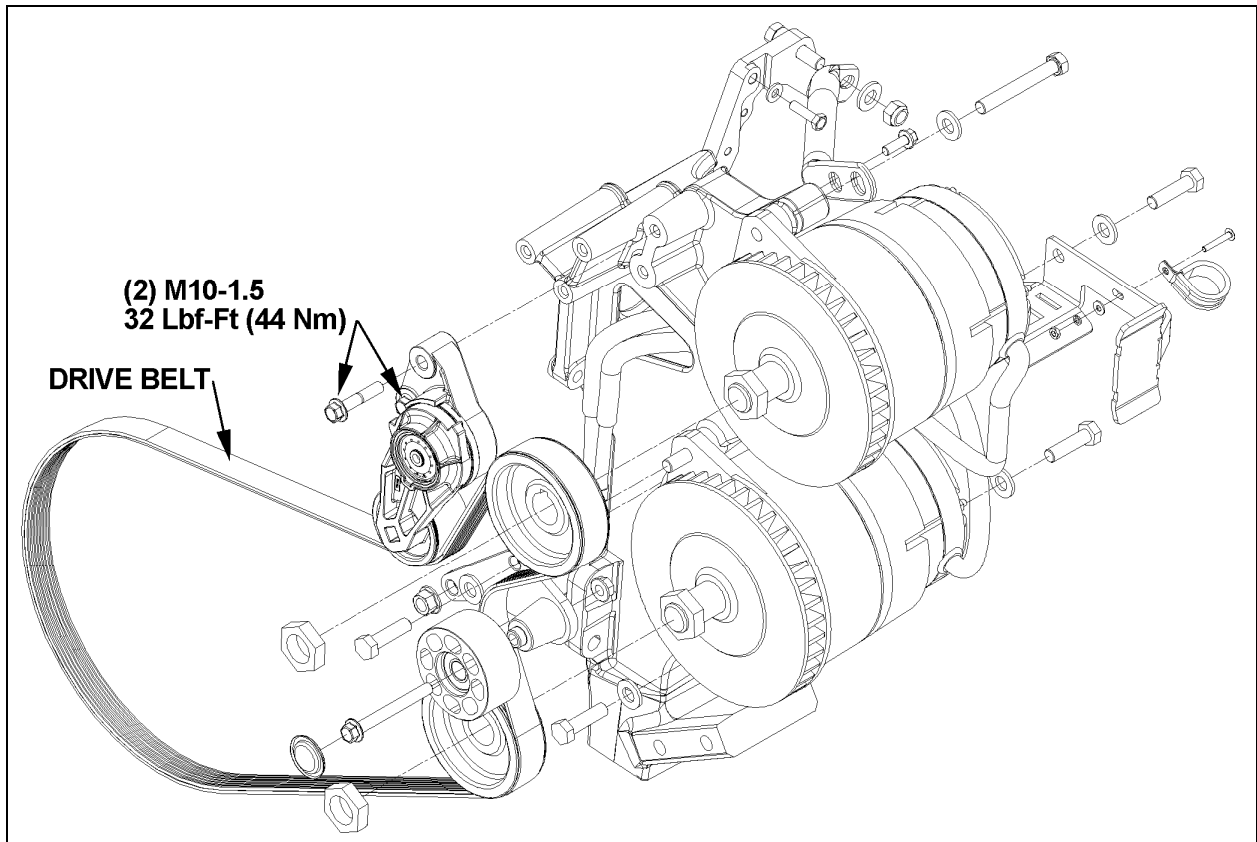
6. Fix water pump belt tensioner (510991) using the other cap screw (5001799). Torque tighten to 43 Lb-Ft (60 Nm).



**FIGURE 2**

7. Unfasten T1 alternators belt tensioner two cap screws.
8. Remove belt tensioner.

9. Fix new belt tensioner (21422767) using previously removed cap screws. Torque tighten to 32 Lb-Ft (44 Nm).
10. Install new belt (5060111) onto new T1 Bosch alternators belt tensioner.



**FIGURE 3**

11. Install new water pump drive belt (5060110).
12. Install A/C compressor and fan shaft drive belts.

## **WARRANTY**

This modification is covered by Prevost's normal warranty. We will reimburse you the parts and one and a quarter hour (1.25) of labor upon receipt of the parts and a completed A.F.A. form on which you must specify as per "Warranty Bulletin 11-02".

### **Parts / Waste disposal:**

- Return replaced parts to Prevost Car with A.F.A. for full reimbursement.