

PREVOST

ENREGISTRÉ - REGISTERED
ISO 9001 & ISO 14001




WARRANTY BULLETIN

Wb11-22

DATE : MAY 2011	SECTION : 01 - Engine
EXPIRATION: MAY 2013	
SUBJECT : VOLVO D13 ENGINE HARNESS REPLACEMENT • OIL SEEPAGE AT UNIT INJECTOR PASS-THROUGH FITTING	

APPLICATION

Model involved	VIN								
H3-41, H3-45 Coach Model Year : 2008 - 2010	 <p>The following vehicles: 2PCH334968C71 <u>0948</u> 2PCH334988C71 <u>1096</u> 2PCH334948C71 <u>0995</u></p> <p>and <u>certain vehicles</u> within the following range: From 2PCH334938C71 <u>1202</u> up to 2PCH33497AC71 <u>1645</u> incl.</p>								
X3-45 Coach Model Year : 2008 - 2010	<p><u>Certain vehicles</u> within the following range: From 2PCG334978C72 <u>9259</u> up to 2PCG33497AC72 <u>9879</u> incl.</p>								
XLII-45 Entertainer Model Year : 2009, 2011	<p>The following vehicles:</p> <table border="0"> <tr> <td>2PCY334939C72 <u>9619</u></td> <td>2PCY334959C72 <u>9668</u></td> </tr> <tr> <td>2PCY334969C72 <u>9629</u></td> <td>2PCY334949C72 <u>9726</u></td> </tr> <tr> <td>2PCY334949C72 <u>9631</u></td> <td>2PCY334909C72 <u>9738</u></td> </tr> <tr> <td>2PCY334919C72 <u>9635</u></td> <td>2PCYS3493BC72 <u>9998</u></td> </tr> </table>	2PCY334939C72 <u>9619</u>	2PCY334959C72 <u>9668</u>	2PCY334969C72 <u>9629</u>	2PCY334949C72 <u>9726</u>	2PCY334949C72 <u>9631</u>	2PCY334909C72 <u>9738</u>	2PCY334919C72 <u>9635</u>	2PCYS3493BC72 <u>9998</u>
2PCY334939C72 <u>9619</u>	2PCY334959C72 <u>9668</u>								
2PCY334969C72 <u>9629</u>	2PCY334949C72 <u>9726</u>								
2PCY334949C72 <u>9631</u>	2PCY334909C72 <u>9738</u>								
2PCY334919C72 <u>9635</u>	2PCYS3493BC72 <u>9998</u>								

DESCRIPTION

On the vehicles affected by this bulletin, oil seepage at the unit injector harness pass-through fitting is likely to happen. Replacement of the engine harness may be performed if the corrective measure previously described in warranty bulletin Wb10-18 consisting in sealing the fitting with two-part epoxy adhesive has proven to be ineffective and there is clear evidence that oil is still leaking at the pass-through fitting.

You must make an appointment at one of PrevoSt Service Centers or PrevoSt Certified Service Providers. Refer to **Parts and Service** tab on PrevoSt web site or go to www.prevoStcar.com/network for the list of the nearest PrevoSt Service Center or PrevoSt Certified Service Providers.

PrevoSt Action Service System (PASS) 1 800 463-7738

MATERIAL

Order the following parts:

Part No.	Description	Qty
983472	Cable tie, high temperature	6
21400113	Engine harness	1

NOTE

Material can be obtained through regular channels.

PROCEDURE



DANGER

Park vehicle safely, apply parking brake, stop engine and set battery master switch(es) to the OFF position prior to working on the vehicle.

NOTE

When performing removal of the existing engine harness, disconnect the exterior connectors first and finish with the connectors located under the valve cover in order to avoid prolonged period of time with cylinder head unprotected from dirt or foreign matter.

1. One after the other, unplug the engine harness connectors, starting with the connectors found outside of the engine block.
2. When necessary, clean the area around the connector to protect connector from dust and foreign matter.
3. If necessary, identify each connecting points around the engine to ease installation of the replacement harness.

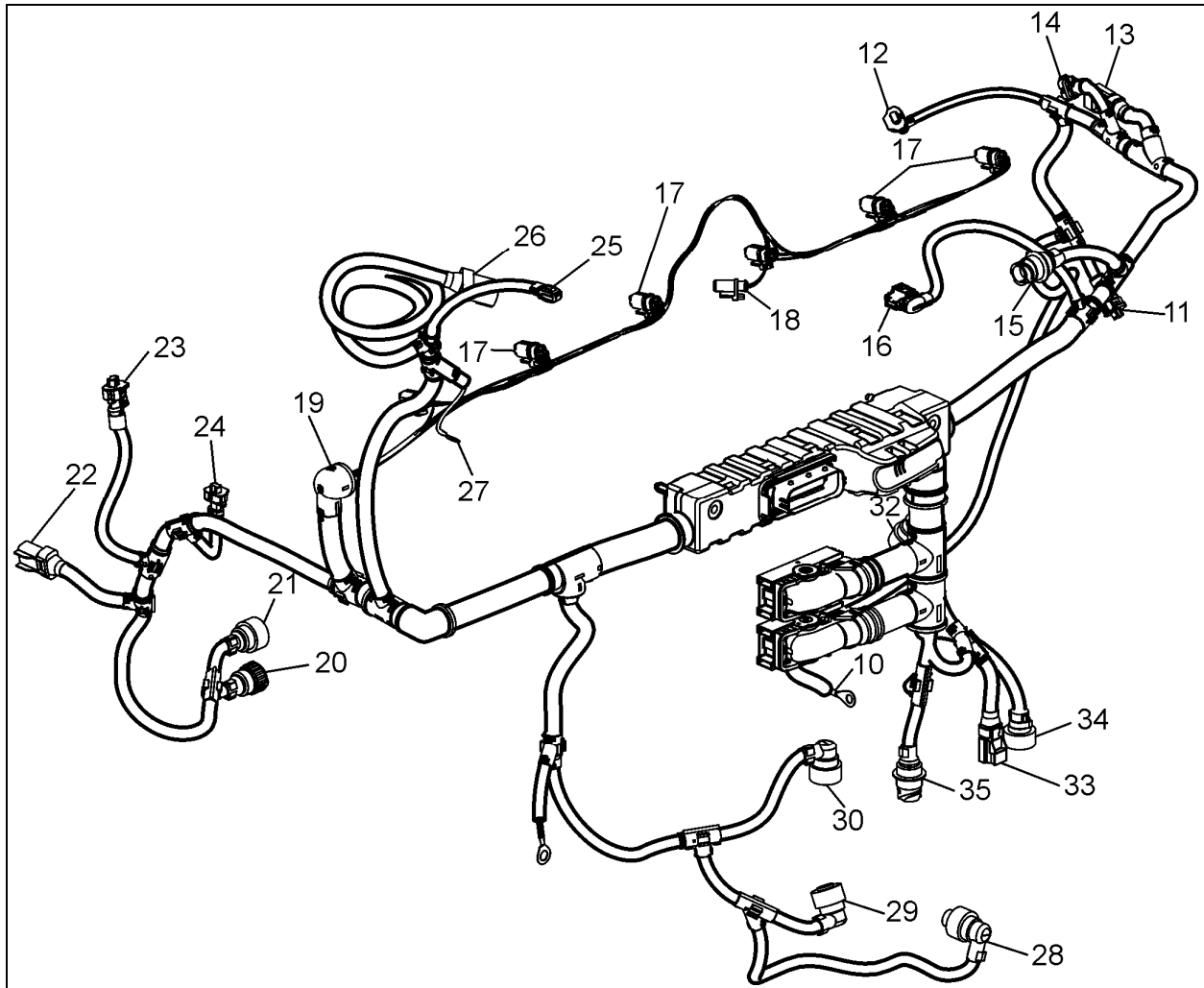


FIGURE 1: ENGINE HARNESS

- | | | | |
|----|----------------------------------|----|---------------------------------------|
| 10 | ring terminal | 23 | EGR temperature sensor |
| 11 | engine speed crank shaft sensor | 24 | - |
| 12 | engine speed cam shaft sensor | 25 | boost temperature & pressure sensor |
| 13 | EGR solenoid valve | 26 | air filter humidity sensor |
| 14 | injector | 27 | ring terminal – engine preheater |
| 15 | 7-pin DIN connector | 28 | EPG solenoid valve unit |
| 16 | - | 29 | engine oil level & temperature sensor |
| 17 | unit injector | 30 | fuel pressure sensor |
| 18 | - | 33 | - |
| 19 | pass-through connector | 34 | engine oil pressure sensor |
| 20 | VGT | 35 | aftertreatment sensor |
| 21 | turbo speed sensor | | |
| 22 | EGR differential pressure sensor | | |

UNDER THE VALVE COVER – UNIT INJECTOR HARNESS

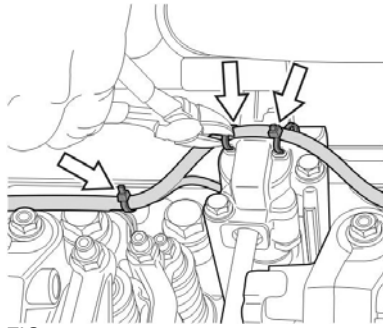


FIG.2

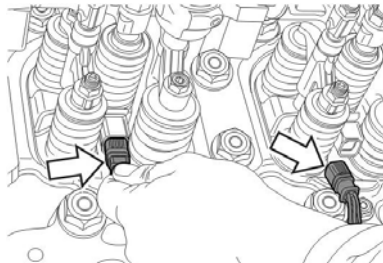


FIG.3

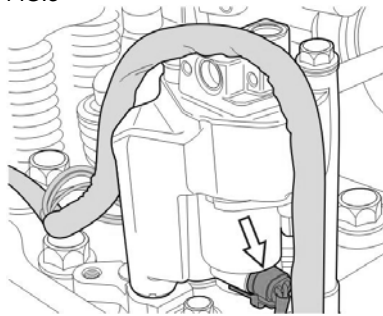


FIG.4

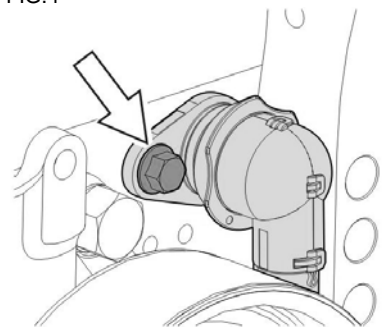


FIG.5

1. Remove the valve cover. See IMPACT function group 21 for details.
2. Cut cable ties securing unit injector harness to the engine brake control valve and cylinder head.
3. Disconnect unit injector harness connectors from unit injectors.
4. Disconnect harness connector from engine brake control valve.
5. Remove cap screw securing the pass-through fitting to the cylinder head.
6. Remove existing unit injector harness.
7. Reinstall the unit injector harness through the opening of the cylinder head and route the connectors to each of the unit injectors and engine brake control valve.
8. Insert the harness pass-through fitting into opening in the cylinder head. Tighten the cap screw to 24 Nm (18ft-lb).
9. Route the harness over the top of the engine brake control valve as shown in the figure 6. Reconnect the harness connectors to the brake control valve. Push the connector until a distinct “click” is heard to ensure the connector is fully engaged.



FIG.6

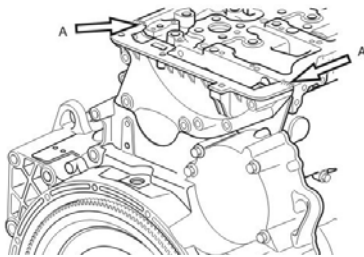


FIG.7

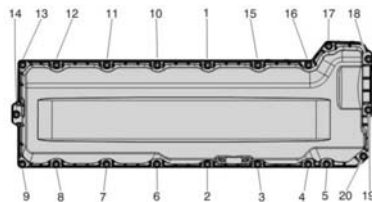


FIG.8

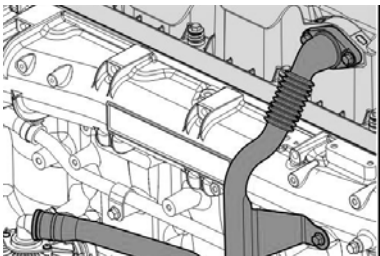


FIG.9

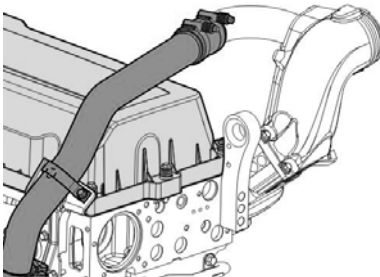


FIG.10

10. Reconnect the harness connectors to the unit injector terminals. Push the connector until a distinct “click” is heard to ensure the connector is fully engaged (fig.3).

11. Use high temperature cable ties (part number 983472) to secure the harness to the eyelets on the engine brake control valve and cylinder head.

Note: It is extremely important that the head of the cable ties face downward to prevent contact with the valve cover.

12. Install engine valve cover assembly. See IMPACT Function Group 21.

13. Clean the gasket sealing surface of the cylinder head. The surfaces should be clear of any dirt or debris and free of any oil.

Note: Remove any sealant from the joint between the cylinder head and upper timing gear cover.

14. Apply a 2 mm (0.079 in) bead of sealant at the joint of the timing cover and the cylinder head on both sides.

Note: The valve cover must be installed within 20 minutes of the application of the sealant.

15. Carefully position the valve cover on the cylinder head and ensure that the seal remains properly seated.

16. Install the spring-loaded bolts in the valve cover. Torque-tighten the valve cover bolts to 24 ± 4 Nm (18 ± 3 ft-lb) in the sequence shown.

17. Install the fasteners securing crankcase ventilation tube and bracket to valve cover and intake manifold. Torque-tighten fasteners to 24 ± 4 Nm (18 ± 3 ft-lb).

18. Position the EGR crossover pipe between the venturi outlet pipe and the mixer inlet pipe.

19. Make sure the O-rings are in place and install clamps at both ends of the crossover pipe. Tighten the clamps to specification.

PARTS / WASTE DISPOSAL

- Discard waste according to applicable environmental regulations (Municipal/State[Prov.]/ Federal).

WARRANTY

This modification is covered by Prevost's normal warranty and will be performed at no charge.

The working time required to perform this warranty bulletin is approximately 10 hours. As a matter of normal service process, your Prevost Service Center or Prevost Certified Service Providers will also check for other repair measures which might be applicable to your vehicle and this may increase the required working time.

Please contact your Prevost Service Center or your Prevost Certified Service Providers for additional information and to schedule an appointment at your earliest convenience. Please mention WB11-22.

OTHER

Fail Code	01-00-2
Defect Code	23
System Condition	B
Causal Part	21159796