

Date Expiration Group Release Page
 05.2011 05.2012 652 01 1(4)

BROKEN REACTION ROD
 9700 (B13R)

MODEL YEAR(S) AND VEHICLE SERIAL NUMBERS (VIN) INVOLVED

VIN				
	2010	2011	2011	2011
9700 Year Model 2010 - 2011	3CET2M624A514 <u>2475</u>	3CET2S221B514 <u>2235</u>	3CET2S228B514 <u>3916</u>	3CET2S224B514 <u>5730</u>
	3CET2M626A514 <u>2476</u>	3CET2S223B514 <u>2236</u>	3CET2S22XB514 <u>3917</u>	3CET2S220B514 <u>5918</u>
	3CET2M628A514 <u>2477</u>	3CET2S225B514 <u>2237</u>	3CET2S221B514 <u>3918</u>	3CET2S222B514 <u>5919</u>
	3CET2M62XA514 <u>2478</u>	3CET2S227B514 <u>2238</u>	3CET2S223B514 <u>3919</u>	3CET2S229B514 <u>5920</u>
	3CET2M621A514 <u>2479</u>	3CET2S229B514 <u>2239</u>	3CET2S22XB514 <u>3920</u>	3CET2S220B514 <u>5921</u>
	3CET2M628A514 <u>2480</u>	3CET2S220B514 <u>3800</u>	3CET2S221B514 <u>3921</u>	3CET2S222B514 <u>5922</u>
	3CET2M62XA514 <u>2481</u>	3CET2S222B514 <u>3801</u>	3CET2S223B514 <u>3922</u>	3CET2S224B514 <u>5923</u>
	3CET2M621A514 <u>2482</u>	3CET2S224B514 <u>3802</u>	3CET2S225B514 <u>3923</u>	3CET2S226B514 <u>5924</u>
	3CET2M623A514 <u>2483</u>	3CET2S226B514 <u>3803</u>	3CET2S227B514 <u>3924</u>	3CET2S228B514 <u>5925</u>
		3CET2S228B514 <u>3804</u>	3CET2S229B514 <u>3925</u>	3CET2S22XB514 <u>5926</u>
		3CET2S22XB514 <u>3805</u>	3CET2S220B514 <u>5725</u>	3CET2S228B514 <u>6461</u>
		3CET2S221B514 <u>3806</u>	3CET2S222B514 <u>5726</u>	3CET2S22XB514 <u>6462</u>
		3CET2S223B514 <u>3807</u>	3CET2S224B514 <u>5727</u>	3CET2S223B514 <u>6464</u>
		3CET2S224B514 <u>3914</u>	3CET2S226B514 <u>5728</u>	3CET2S227B514 <u>6466</u>
		3CET2S226B514 <u>3915</u>	3CET2S228B514 <u>5729</u>	

DESCRIPTION

On the vehicles mentioned above, the reaction rod brackets do not meet our requirements. All vehicles concerned shall be reinforced at the next service occasion but within the stipulated time period.

MATERIAL

Part No	Description	Qty
21631664	Plate service solution	4
992345	Screw M14x90	8
984863	Screw M14x100	8
992328	Nut M14	16
994388	Screw M8x75	2
984743	Screw M8x90	2
990950	Nut M8	4

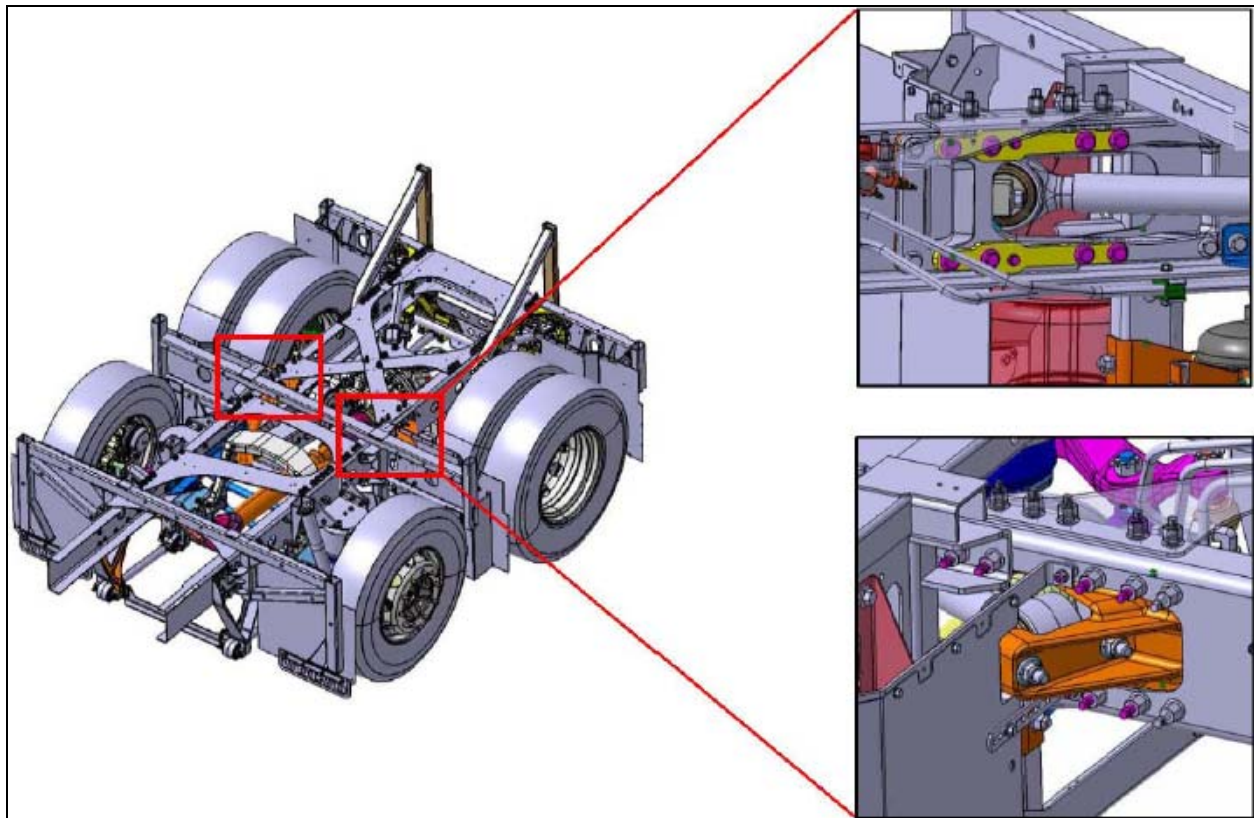
Date	Expiration	Group	Release	Page
05.2011	05.2012	652	01	2(4)

PROCEDURE

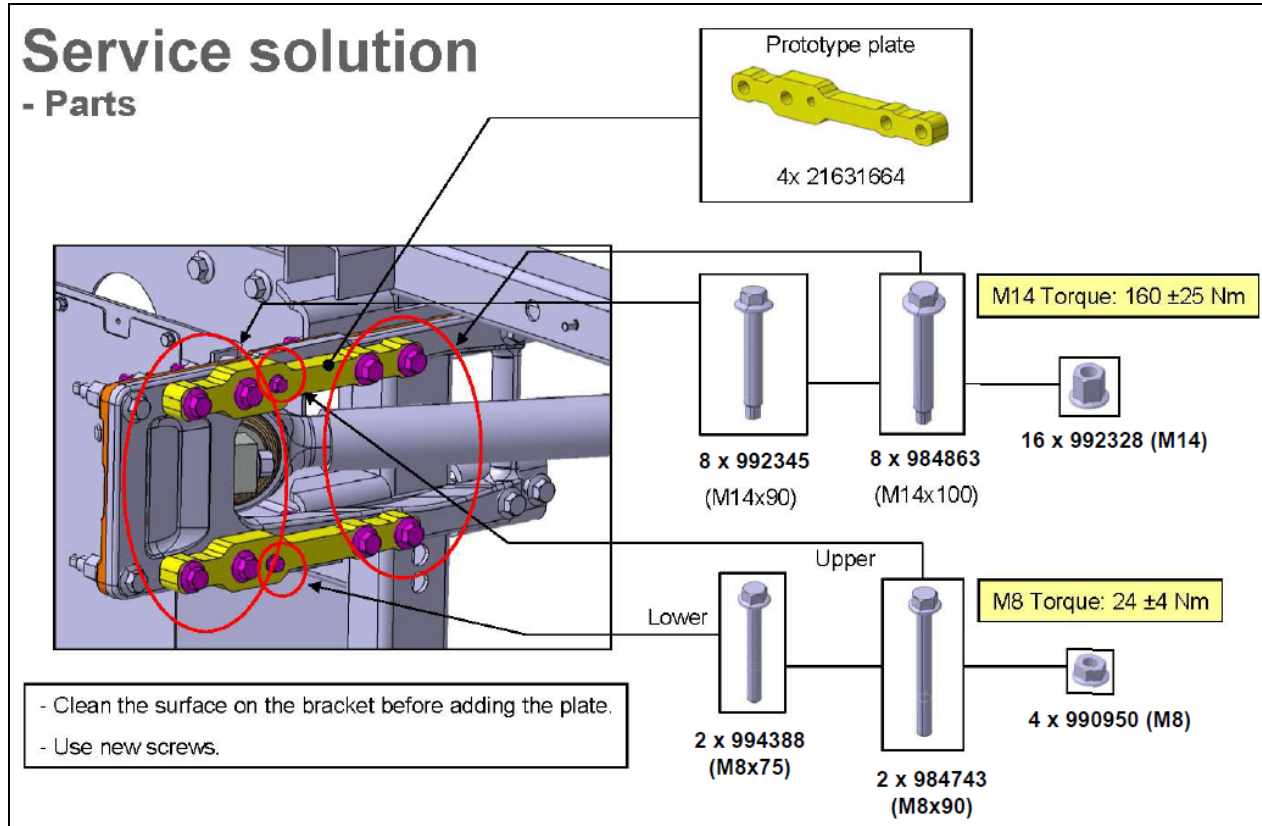


DANGER

Park vehicle safely, apply parking brake, stop engine. In the battery box, set the battery cut-off switch to the OFF position prior to working on the vehicle.



Date	Expiration	Group	Release	Page
05.2011	05.2012	652	01	3(4)



Date	Expiration	Group	Release	Page
05.2011	05.2012	652	01	4(4)

PARTS / WASTE DISPOSAL

Return replaced parts to Prevost with A.F.A. for full reimbursement.

WARRANTY

This modification is covered by Prevost's normal warranty. We will reimburse you the parts and 3.6 hours of labor upon receipt of a completed A.F.A. form on which you must specify as per "Warranty Bulletin WB11-61".

TELL US WHAT YOU THINK!

We are interested in hearing your comments or suggestions regarding this bulletin. Please e-mail them to: TechnicalPublications@volvo.com

OTHER

VBC Campaign	S-8622
Fail Code	16-00
Defect Code	09
System Condition	B
Causal Part	21251661

Prevost engages in a continuous program of testing and evaluating to provide the best possible product. Volvo Bus, however, is not committed to, or liable for updating existing products.