

# PREVOST

ENREGISTRÉ - REGISTERED  
ISO 9001 & ISO 14001


## WARRANTY BULLETIN

WB12-35



DATE : NOVEMBER 2012	SECTION :	22 - HVAC
EXPIRATION: NOVEMBER 2014		
SUBJECT : PRE-HEAT EXHAUST TUBE CLEARANCE		

### APPLICATION

<i>NOTICE TO SERVICE CENTERS</i>	
<i>Verify vehicle eligibility by checking warranty bulletin status with <b>SAP</b> or <b>Vehicle Warranty Information</b> tool found on Prevost-Systems tab of the Volvo Trucks Dealer Portal</i>	
Model	VIN 
H3-45 Coaches Model Year : 2011 - 2012	From 2PCH33498BC711722 up to 2PCH33491CC712084 incl.
<p>This bulletin does not necessarily apply to all the above-mentioned vehicles, some vehicles may have been modified before delivery. The owners of the vehicles affected by this bulletin will be advised by a letter indicating the Vehicle Identification Number (VIN) of each vehicle concerned.</p>	

### DESCRIPTION

On the vehicles affected by this bulletin, the pre-heater exhaust tube may have been installed too close to the tag axle tire. Inspect tube position and make sure it has proper clearance with the tire. If not, move it away from the tire.

### MATERIAL

No material is required for this bulletin

## PROCEDURE



### DANGER

Park vehicle safely, apply parking brake, stop engine and set battery master switch(es) to the OFF position prior to working on the vehicle.

1. Remove the street side rear fender

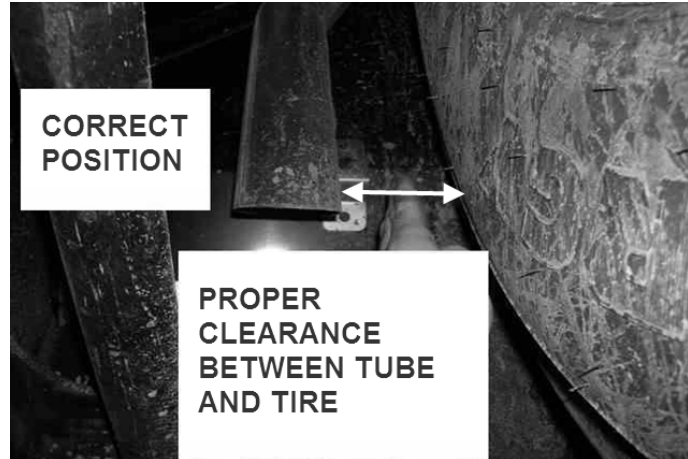


2. Inspect the clearance between the Pre-heater exhaust tube and the tag axle tire.

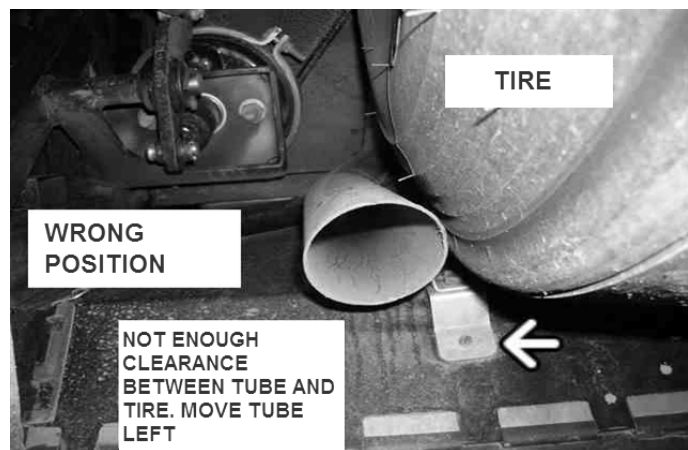


3. This is the correct position. Distance between tube and tire should be approximately 2 in.

*If the tube shows this position, end the procedure.*



4. Any other position less than 2in between tube and tire is wrong. Proceed to the next steps.

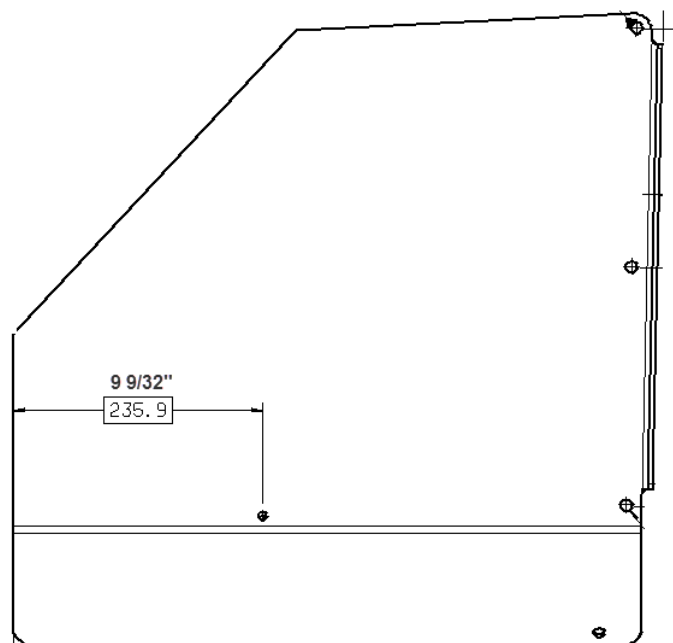


5. Jack vehicle and dismount the rear street side tag axle wheel.

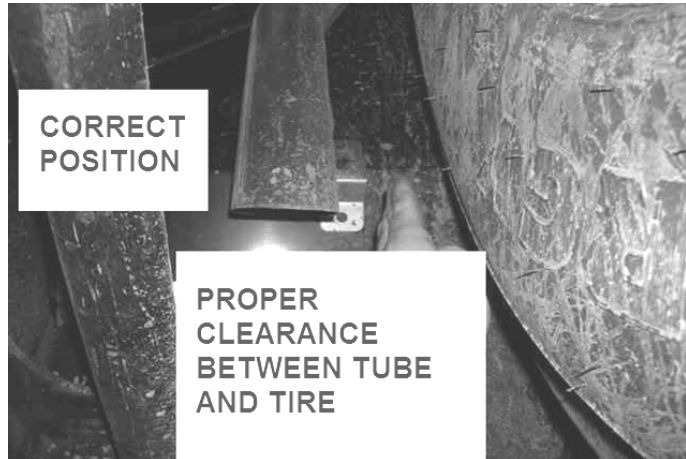
6. Remove the screws and move exhaust tube away from tire.

7. To help position the mounting bracket, there is a mark that indicates the proper mounting hole position on the plastic panel.

8. Secure at new position. Re-use mounting hardware.



9. The final position should look like this.



## PARTS / WASTE DISPOSAL

Discard waste according to applicable environmental regulations (Municipal/State[Prov.]/ Federal)

## WARRANTY

This modification is covered by Prevost's normal warranty. We will reimburse you fifteen minutes (15min) for inspection only or half an hour (30 min) of labor for inspection and repair upon receipt of a completed A.F.A. form on which you must specify as per "Warranty Bulletin WB12-35".

## OTHER

VBC Bulletin	N/A
Fail Code	22.09
Defect Code	09
System Condition	B
Causal Part	374452

*You wish to be informed of our warranty bulletins by e-mail?  
Just e-mail us at [technicalpublications\\_prev@volvo.com](mailto:technicalpublications_prev@volvo.com) and type "ADD" in the subject.*