

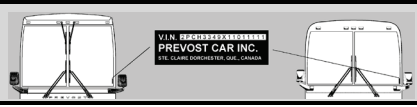
PREVOST

WARRANTY BULLETIN

WB14-31

DATE :	JULY 2014	SECTION :	18 - Body
EXPIRATION:	JULY 2016		
SUBJECT :	CABLE PROTECTION IN FRONT FENDER		

APPLICATION

NOTICE TO SERVICE CENTERS <i>Verify vehicle eligibility by checking warranty bulletin status with SAP or via ONLINE WARRANTY SYSTEM available on Service / Warranty tab of Prevost website.</i>	
Model	VIN 
H3-41, H3-45 coaches Model Year : 2014	Specific vehicles in range. From 2PCH33490EC71 2482 up to 2PCH33495EC71 2637 incl.
<p>This bulletin does not necessarily apply to all the above-mentioned vehicles, some vehicles may have been modified before delivery. The owners of the vehicles affected by this bulletin will be advised by a letter indicating the Vehicle Identification Number (VIN) of each vehicle concerned.</p>	

DESCRIPTION

On the vehicles affected by this bulletin Inspect the door switch wires behind the front right fender. Repair if required and add a protector.

MATERIAL

Order Kit Number WB14-31 which includes:

Part No.	Description	Qty
479422	Protector	1
479423	Rubber trim – 12 3/8" lg.	1
560784	Shrink tube	A/R
500623	Screw #10 x 3/4", Thread cutting	2

NOTE
<i>Material can be obtained through regular channels.</i>

PROCEDURE



DANGER

Park vehicle safely, apply parking brake, stop engine and set battery master switch(es) to the OFF position prior to working on the vehicle.

1. Looking in the gap between the fiberglass fender and the bus structure (Fig.1 & 2), perform a thorough inspection of the door switch wires between grommet and connector (Fig. 2 & 3) using a mirror to inspect all around wires.

Check that the insulation material of the 3 wires is intact and in good condition. (Fig. 2, 3)

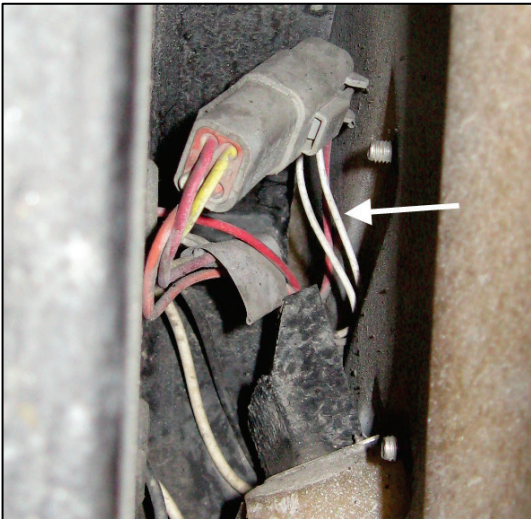


Figure 1

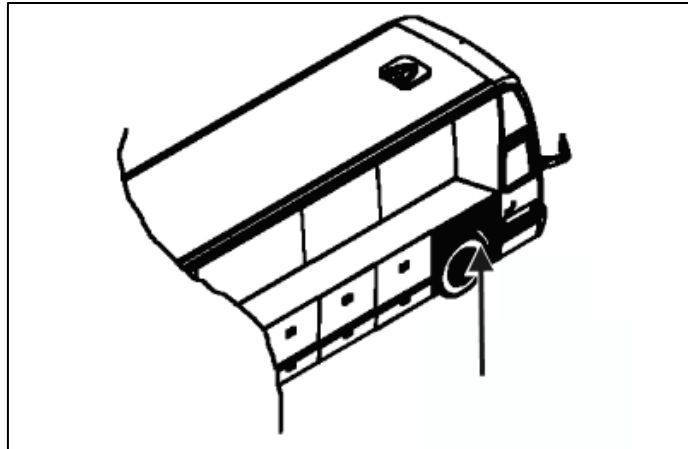


Figure 2

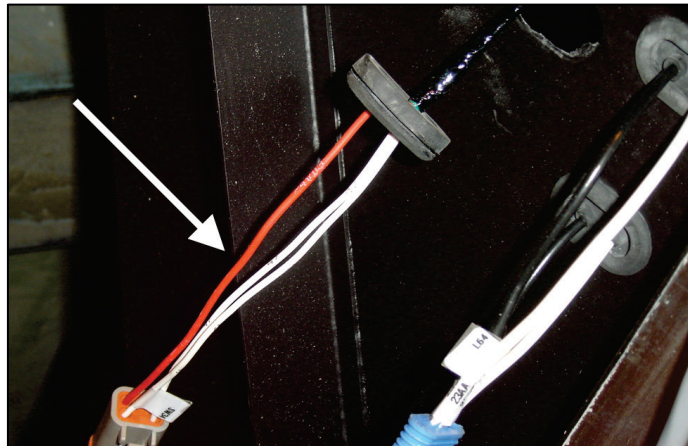


Figure 3

2. If wires are intact, add protector following steps below.

Note: If wires are damaged skip to Step 3.

Add protector **#479423** and rubber trim **#479422** (12 3/8" long) (Fig. 4 & 5).

(Note protector orientation and suggested hole locations)

Drill 5/32" holes and Install with screw **#500623**.

END OF PROCEDURE FOR INTACT WIRES.

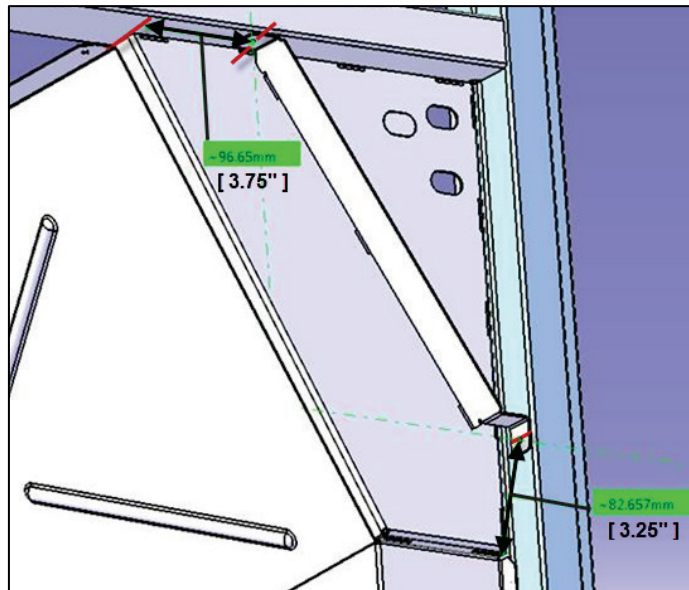


Figure 4

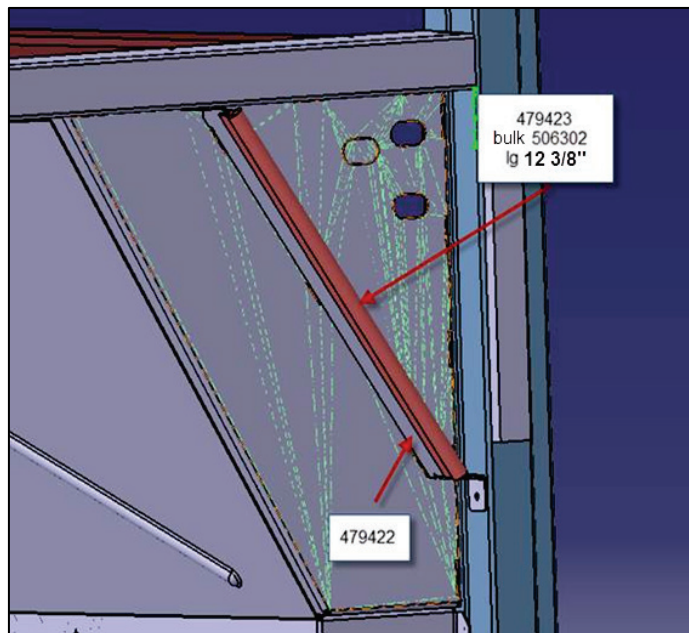


Figure 5

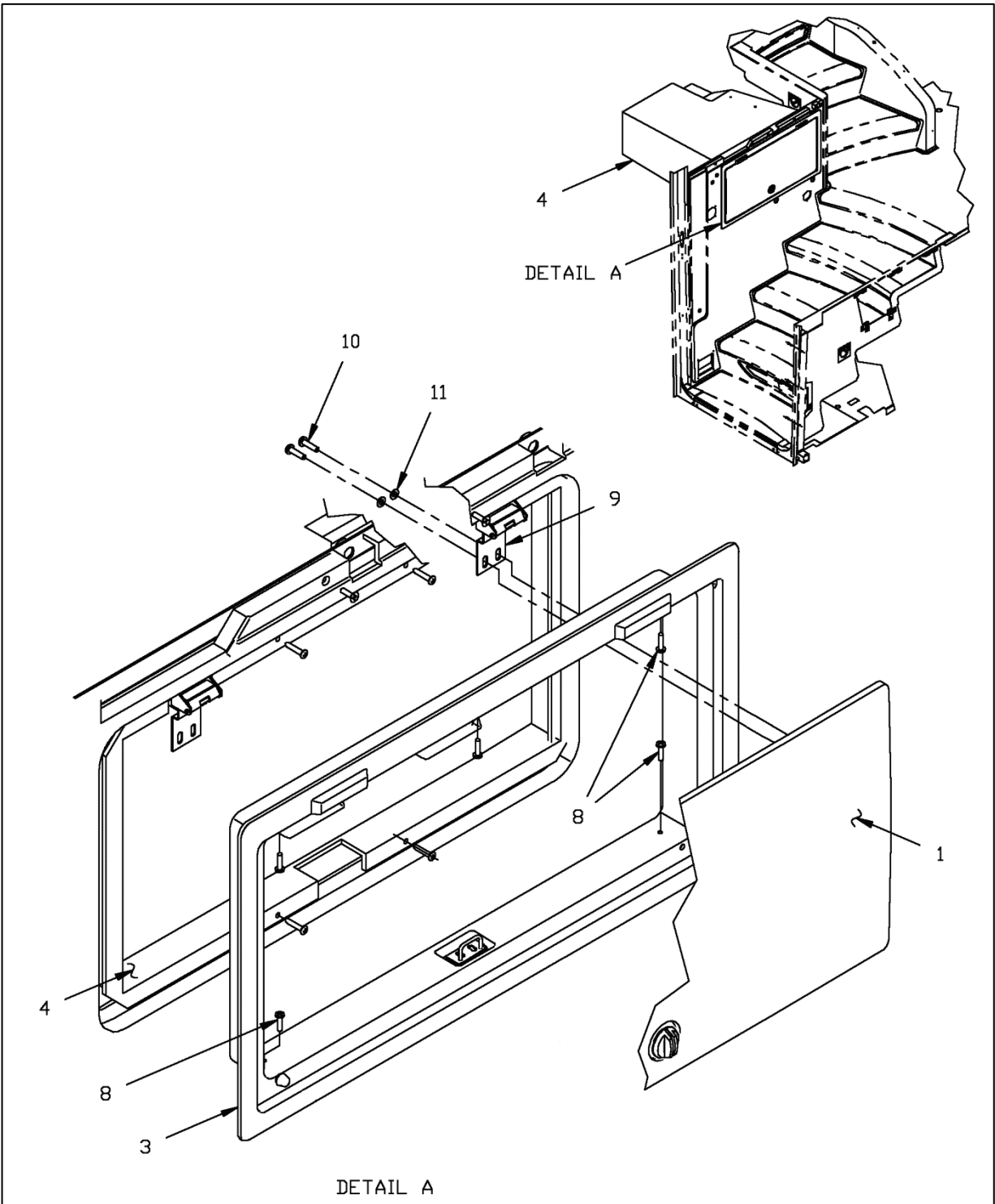


Figure 6

3. Procedure for damaged wires.

Driver's personal compartment removal.

3.1. Remove edge trim (Fig. 6 item 3).

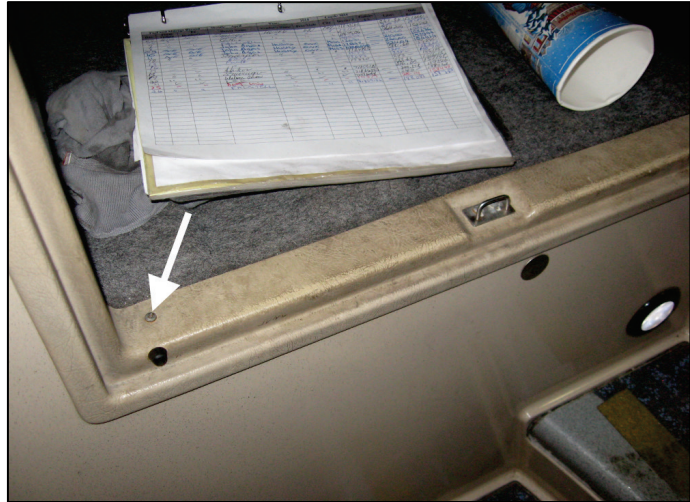


Figure 7

3.2. Remove hinge (Fig. 6 item 9, Fig. 8).

3.3. Continue by removing compartment inner lining (Fig. 6 item 4).

3.4. Reserve all trim and hardware for re-install.

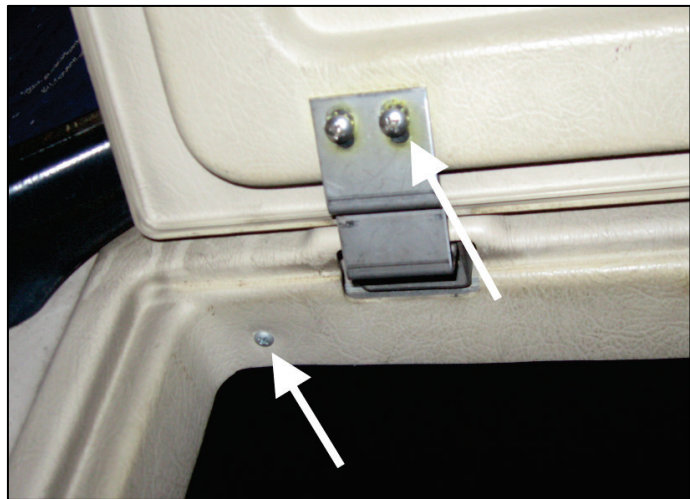


Figure 8

4. Unplug external connection to switch and pull cables inside vehicle by opening.(Fig. 9)

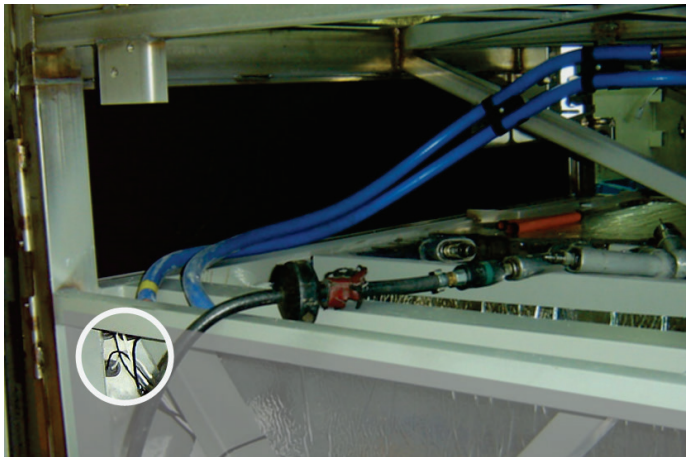


Figure 9

5. Remove electrical connector (Fig. 10, 11)
6. Add heat shrink tube **#560784** on any wire showing damaged isolation

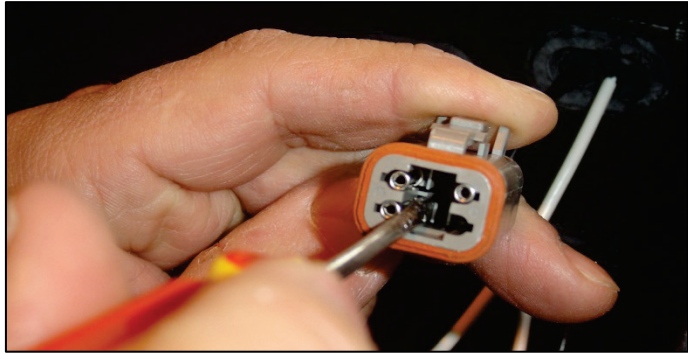


Figure 10



Figure 11

7. Make sure grommet is properly re-inserted on structure opening when finalizing cable routing to ensure watertightness. (Fig 12)



Figure 12

8. Reinstall Driver's compartment. (Installation is reverse of removal)

9.

10. Add protector **#479423** and rubber trim **#479422** (12 3/8" long). (Fig. 13& 14)

Note protector orientation and hole locations

11. Mark hole locations using protector as a template, drill 5/32" holes and Install with screw **#500623**

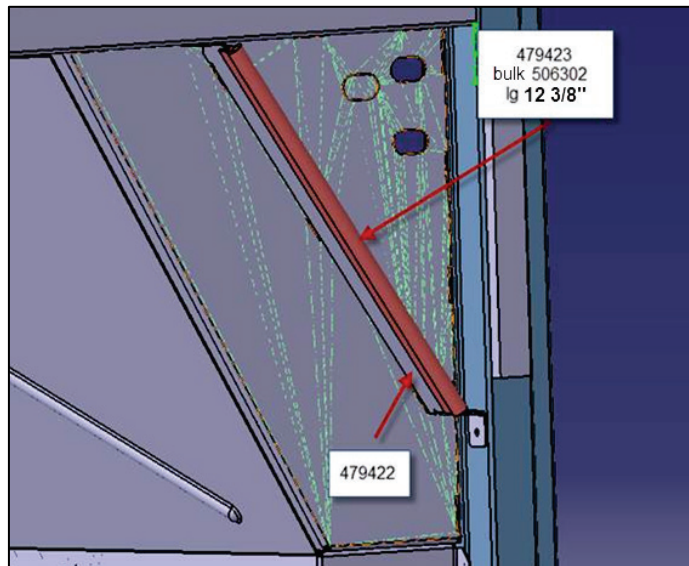


Figure 13

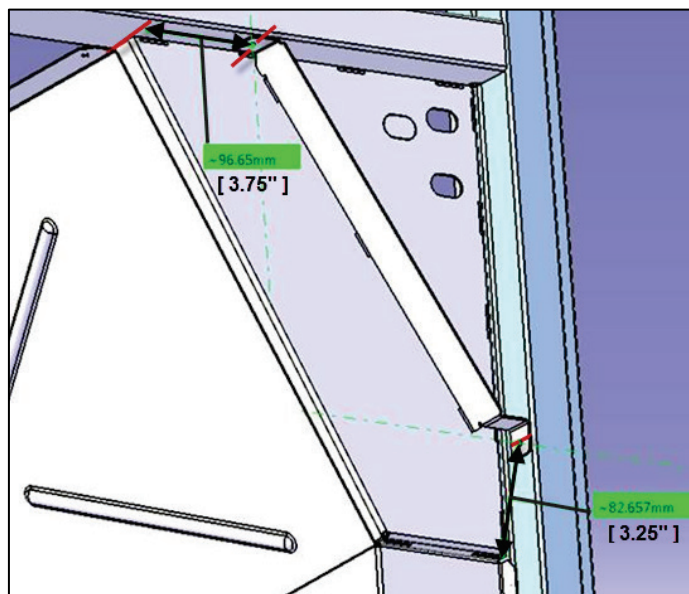


Figure 14

PARTS / WASTE DISPOSAL

DO NOT RETURN THE REPLACED PARTS. Discard waste according to applicable environmental regulations (Municipal/State[Prov.]/ Federal)

WARRANTY

This modification is covered by Prevost's normal warranty. We will reimburse you *thirty minutes (30 min.)* of labor for inspection only OR the parts and *one and a half hour (1.5h)* of labor for inspection and repair upon receipt of a warranty claim. Please submit claim via our Online Warranty System, available at www.prevostcar.com (under Service \ Warranty section). Use Claim Type: "Bulletin/Recall" and select "Warranty Bulletin WB14-31".

OTHER

VBC Bulletin	N/A
Fail Code	06.15
Defect Code	09
Syst.Cond.	B
Causal Part	067863

Access all our Service Bulletins on
<http://prevostparts.volvo.com/technicalpublications/en/pub.asp>
or scan the QR-Code with your smart phone.

E-mail us at technicalpublications_prev@volvo.com and type
"ADD" in the subject to receive our warranty bulletins by e-mail.

