

PREVOST

Warranty Bulletin

95-16

Date: **April 1995**
 Section: **WCL**
 Subject: **SAFETY INSTRUCTIONS RELATED TO WHEELCHAIR LIFT SYSTEM**
 Application:

Models	VINs		
H3-41 & H3-45 coaches equipped with wheelchair lift system ----- Model Year: 1993 & 1995	2P9H33408P1001343, 2P9H3340XP1001344, 2P9H33401P1001345, 2P9H33405P1001347, 2P9H33408P1001357, 2P9H3340XP1001358,	2P9H33401P1001359, 2P9H33408P1001360, 2P9H3340XP1001361, 2P9H33401P1001362, 2P9H33403P1001363, 2P9H33405P1001364,	2P9H33495S1001128 2P9H33494S1001136 2P9H3349XS1001139 2P9H3349XS1001142 2P9H33498S1001155 2P9H33497S1001180 2P9H33498S1001186

DESCRIPTION

Since the introduction of "H" series coaches equipped with wheelchair lift system, many safety instructions have been added to the vehicle, so in order to standardize your vehicle to our production line specifications, we ask that you affix the following safety instructions on your vehicle.

MATERIAL

Part No	Description	Qty
403895	Pictogram sticker	1
403896	Text plate: Warning: Before operating the lift system ... (bilingual)	1
403897	Text plate: Caution: Be sure that ramp locking mech ... (bilingual)	1
403898	Text sticker: Warning: When opening door, beware (bilingual)	1
404083	Sticker with Pictogram and text: Do not park within (bilingual)	1
404084	Text sticker: Emergency exit (bilingual)	1
404085	Text plate: Warning: Stay away (bilingual)	2
404087	Pictogram sticker	2
504103	Rivet, Aluminum 1/8" x 1/8"	20

Note: Material can be obtained through regular channels.

PROCEDURE

Warning: Park vehicle safely, apply parking brake, stop engine and set battery master switches to the "OFF" position prior to working on the vehicle.

Sticker installation general procedure

1. Referring to the appropriate figure, identify position where a sticker have to be installed, thoroughly clean surface, then mark the exact position of sticker using a soft lead pencil.

2. Spray a little water on surface, peel off protective sheet at back of sticker then affix sticker. The use of water will allow you to move the sticker correctly into position. Using a squeegee, press the center of sticker towards the exterior to allow air bubbles to escape.

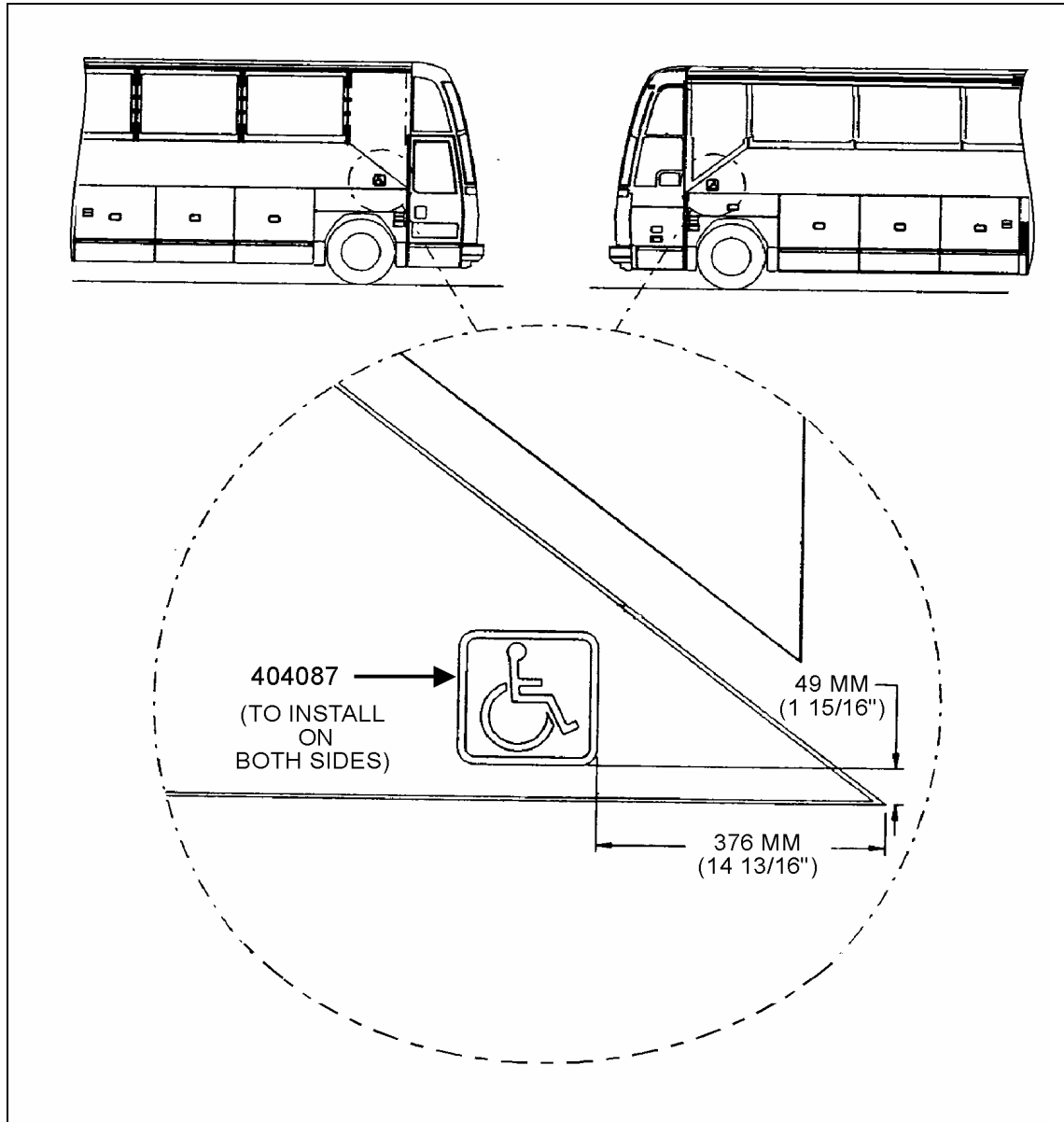


Figure 1

23041

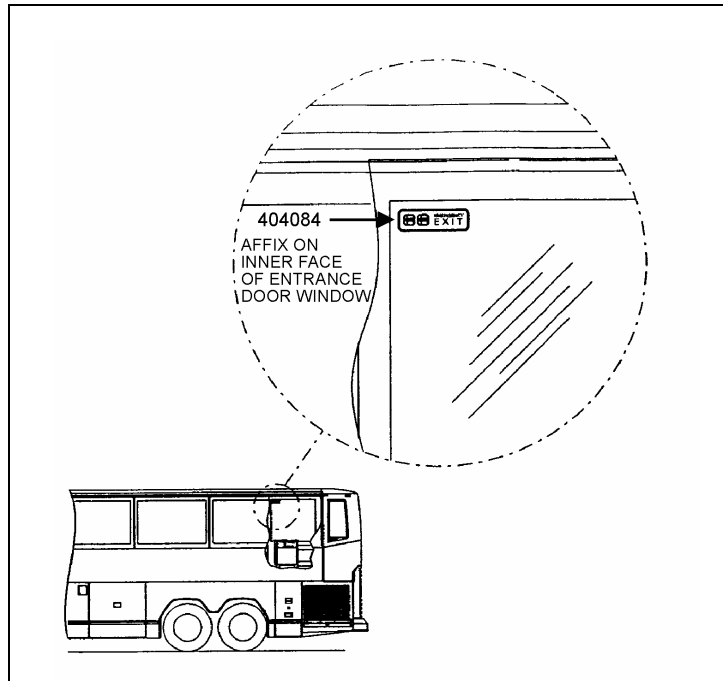


Figure 2

23042

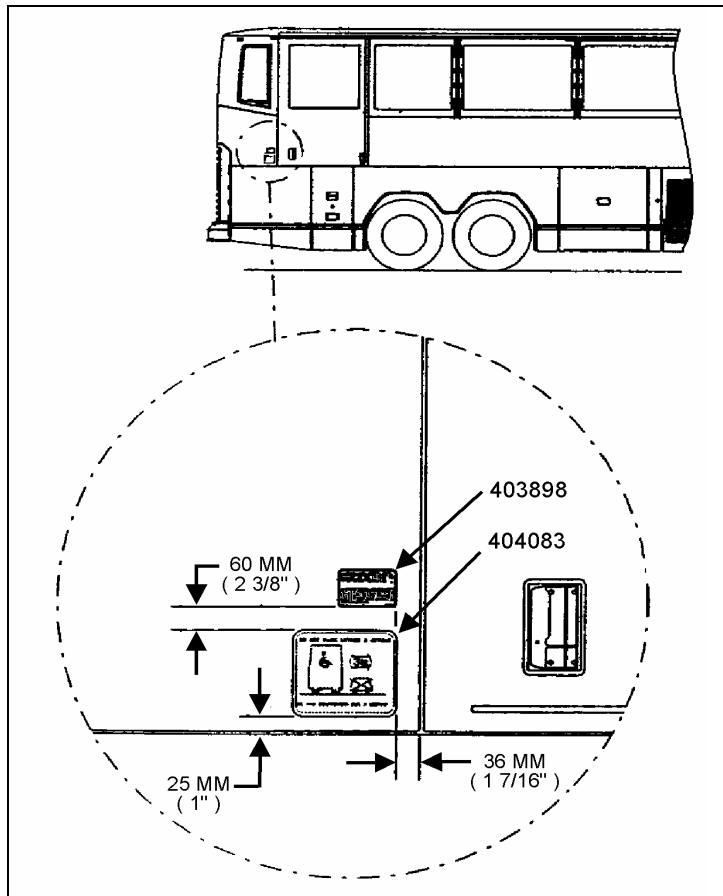


Figure 3

23043

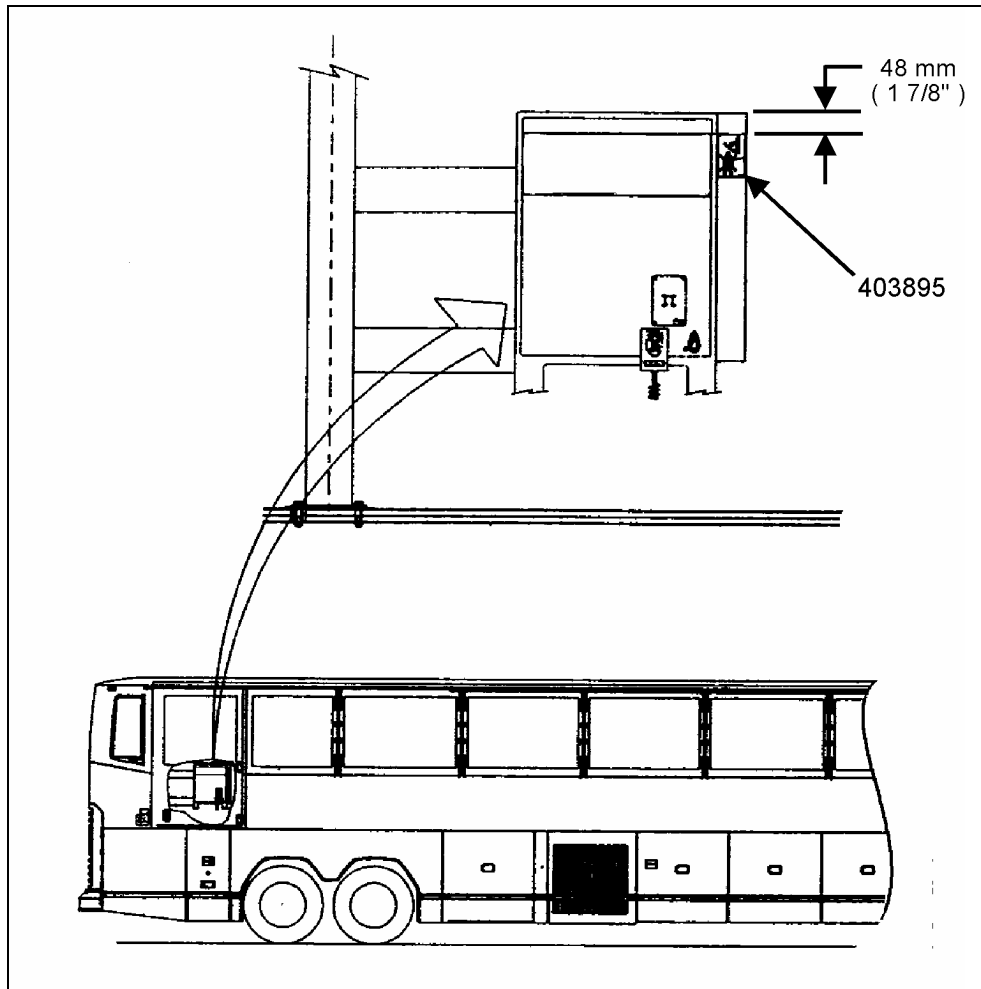


Figure 4

23044

Plate installation general procedure

1. Referring to figure 5, identify position where an instruction plate have to be installed then using the plate as a template mark the position of holes to be drilled.

2. Drill using a 1/8" (3 mm) diameter bit.

Caution: Take care when drilling to avoid damage to cylinder mounted on the other side.

3. Install plate using rivets #504103.

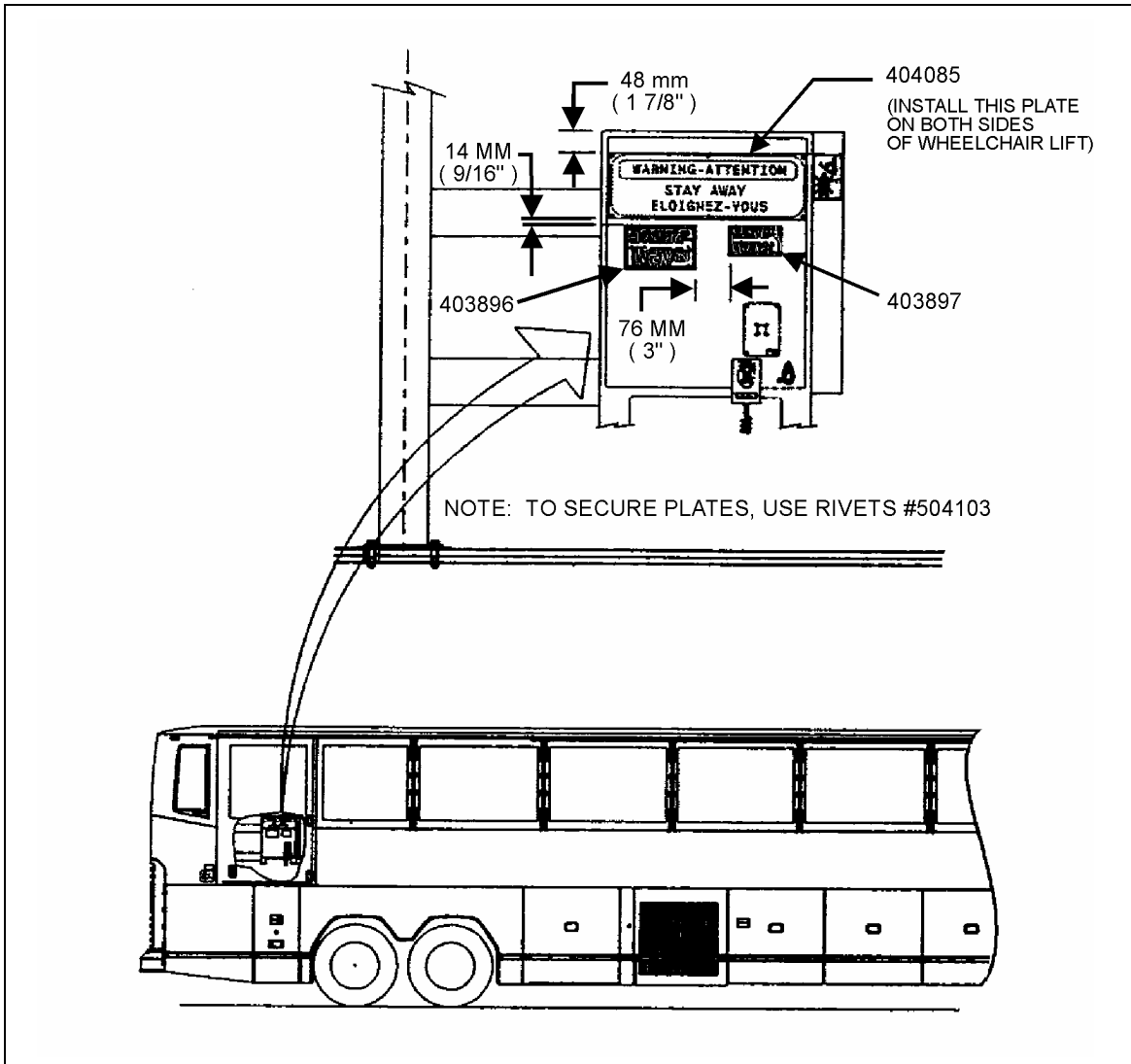


Figure 5

23045

WARRANTY

This modification is covered by the manufacturer's normal warranty. We will reimburse you the parts and half an hour (0.5) of labor upon receipt of a completed A.F.A. form on which you must specify as per "Warranty Bulletin 95-16".

Expiration date: April 1996