

PREVOST

ENREGISTRÉ - REGISTERED
ISO 9001 & ISO 14001

**WARRANTY
BULLETIN**

Wb98-15A



DATE: October 1998	SECTION : 18
EXPIRATION: October 1999	
SUBJECT : HVAC COMPARTMENT DOOR	

REVISION : A

CORRECTION OF HOLE DRILLING LOCATION

APPLICATION

Model	VIN
All H series vehicles Model Year: 1997 - 1998	From 2PCH33417V1011961 up to 2PCH33493W1012208 incl.

DESCRIPTION:

Due to interference between the HVAC compartment door and the baggage door to its right, a retrofit kit designed to permit opening of the HVAC door from the left baggage compartment is available.

MATERIAL

Part No.	Description	Qty
285848	Condenser door latch retrofit kit.	1

Note: Material can be obtained through regular channels.

PROCEDURE

Warning: Park vehicle safely, apply parking brake, stop engine and set battery master switch (es) to the OFF position before working on the vehicle.

1. Open A/C condenser door and condenser assembly as per maintenance manual.
2. Remove the three screws (A, Fig. 1) holding the door latch assembly. Remove the assembly.
3. Remove the door-opening knob and cover the hole with the included plug (1, Fig. 2).
4. Open the compartment door to the left of the A/C condenser compartment.
5. Drill a 3/8" (9 mm) diameter hole in the right compartment wall, 10-1/2" (265 mm) inside and 3" (75 mm) from the top of the compartment's ceiling. See figure 1.

6. Pass the straight end of the pull cable through the hole and attach its sheath to the wall with the appropriate fastener. Screw pull-knob to cable.
7. Pass the pull cable and sheath along the ceiling of A/C compartment (over air duct). Attach solidly with the included collars. Drill 5/32" (4 mm) pilot holes and use the #10 self-tapping screws provided to fasten the collars.
8. Install the support plate to the support member. Use the existing holes (B, Fig. 2). Fasten using a M6x20 screw (Prévost #502622), M6 lockwasher (#502565) and M6 nut (#502570). Adjust so the cable is properly aligned and will operate the door latch easily.
9. Install the included connector plate on the door latch assembly (2, fig. 1 or 2, Fig. 2). Install the offset portion of the pull cable in the hole of the connector plate. Install the cable's sheath extremity tightly into the connector plate's sleeve (3, Fig. 3).
10. Screw the latch mechanism loosely. Adjust mechanism as needed. Tighten screws. Check door fit and operation.

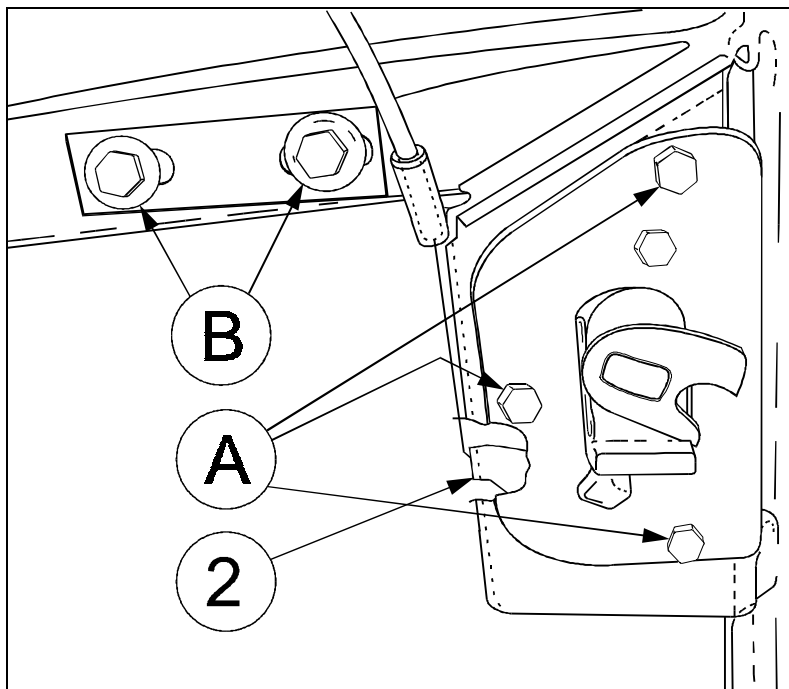


Figure 1

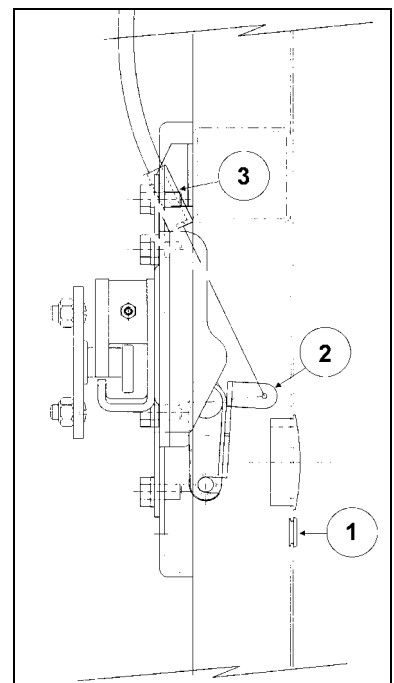


Figure 2

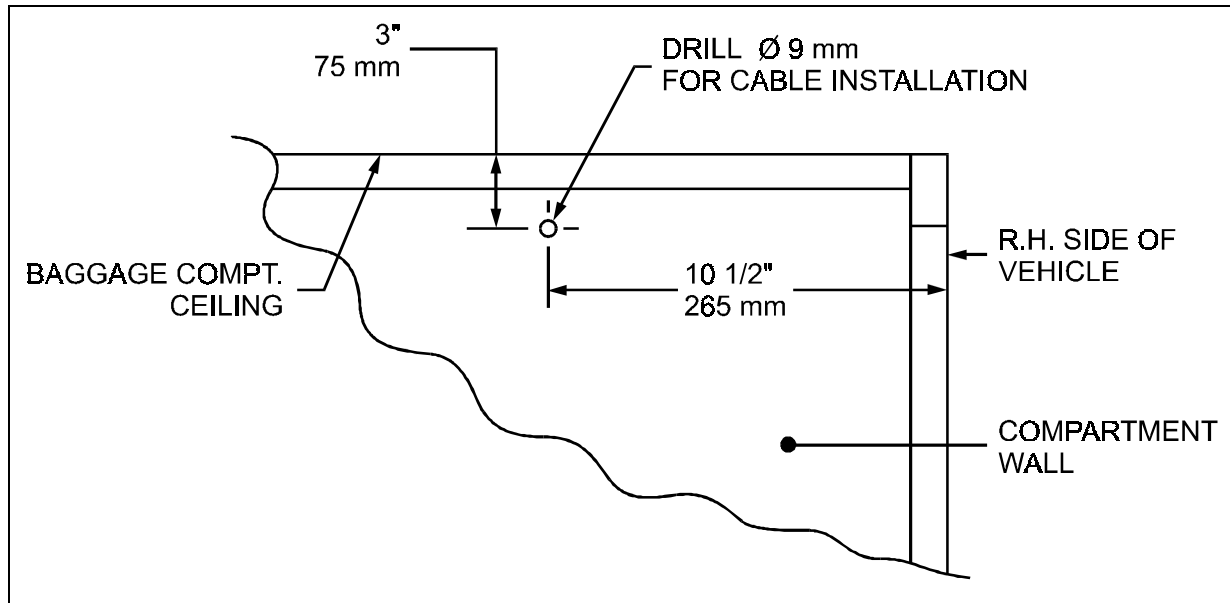


Figure 3

WARRANTY

This modification is covered by Prévost Car's normal warranty. We will reimburse you the parts and one half-hour (0.5) of labor upon receipt of a completed A.F.A. form on which you must specify as per "Warranty Bulletin 98-15A".

Parts disposition:

- Return to Prévost Car with A.F.A. for full reimbursement.
- Discard according to applicable environmental regulations (Municipal/State[Prov.]/ Federal)