

# PREVOST

## Instruction Sheet

## IS-00053A

### INSTALLATION GUIDE OF KEYLESS ENTRY MODULE FOR VIP AND XLII MTH SERIES VEHICLES

REVISION : A

Keyless module modified & new part numbers

#### MATERIAL

Kit #065401 (VIP from W-2633 up to 1-4093) includes the following parts:

Part No.	Description	Qty
382328	Keyless entry module	1
065400	Door entrance lock/unlock rocker switch harness	1
IS-00053	Instruction Sheet	1
FI-00053	Feuille d'instructions	1

Kit #065399 (VIP from W-2458 up to W-2632) includes the following parts:

Part No.	Description	Qty
382328	Keyless entry module	1
065400	Door entrance lock/unlock rocker switch harness	1
064831	Door harness	1
IS-00053	Instruction Sheet	1
FI-00053	Feuille d'instructions	1

Kit #065541 (XLII MTH from Y-7046 up to 1-7410) includes the following parts:

Part No.	Description	Qty
382327	Keyless entry module	1
IS-00053	Instruction Sheet	1
FI-00053	Feuille d'instructions	1

---

## PROCEDURE

### PART 1 – INSTALLATION OF KEYLESS MODULE VIP

**Warning:** Park vehicle safely, apply parking brake, stop engine and set battery master switch(es) to the OFF position prior to working on the vehicle.

1. Remove the keyless entry module access panel on the right hand side of dashboard.
2. Unplug all connectors and remove the existing module (figure 1).
3. Install new module #382328 (drilling of holes may be required on the frame). Plug connectors C266 and C267 as per figure 1.
4. Connect wires 0L and 283 to the limit switch near the door top hinge (figure 1 et 2).
5. Insert extremity labeled C267-5 of harness #065400 into port 5 of connector C267 as per figure 1.
6. Route harness #065400 up to rear of dashboard. Remove existing wire 285 from port 3 of door entrance lock/unlock rocker switch and insert extremity labeled C265-3 of harness #065400 into port 3.

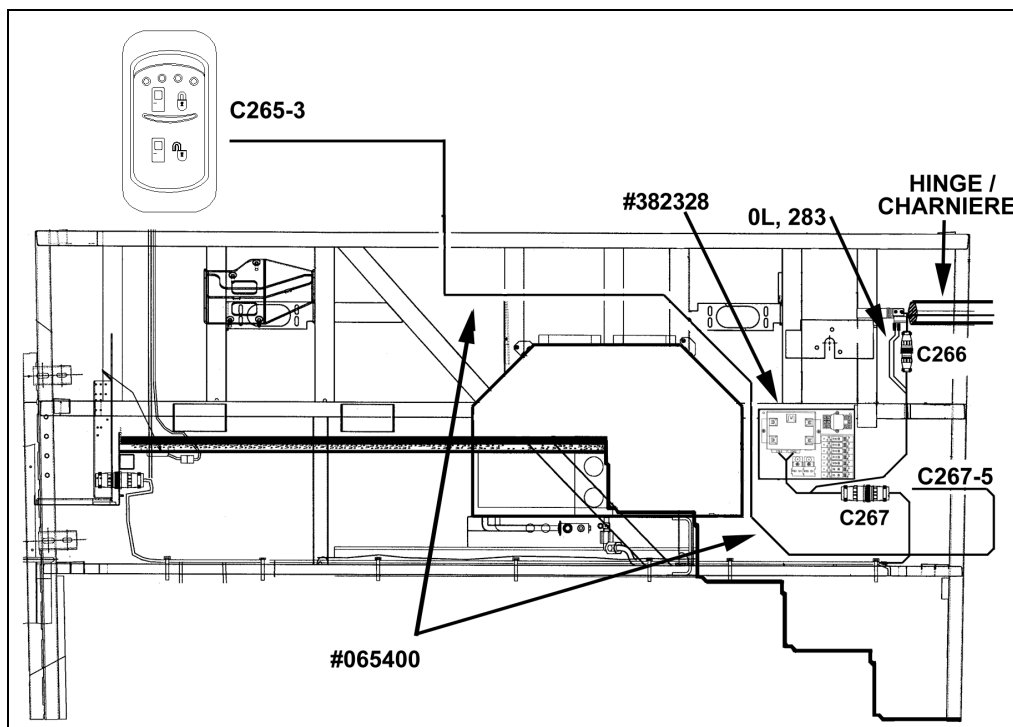


FIGURE 1: LOCATION OF KEYLESS ENTRY MODULE ON FRONT STRUCTURE VIP

### PART 2 – INSTALLATION OF DOOR HARNESS (VIP FROM W2458 UP TO W2632)

1. Remove door trim panel to gain access to keyless entry system components.
2. Unplug connectors C264, C266, C285, wires 0L & 283A and then remove existing door harness (figure 3).

3. Plug connector C266 of harness #064831 to connector C266 of keyless module then route new harness all along door top hinge up to door interior. Fix harness and connector on door hinge with nylon ties (figure 2).
4. Plug connector C264. Plug connector C285 to locking system actuator (see figure 3).
5. Connect wire 0L to COM terminal of key switch and wire 283A to NO terminal. Wires 48B & 48C are not used, insulate their extremity with heat shrinking sleeve. Fix all harness with nylon ties.
6. Proceed with testing. Reinstall trim panel.

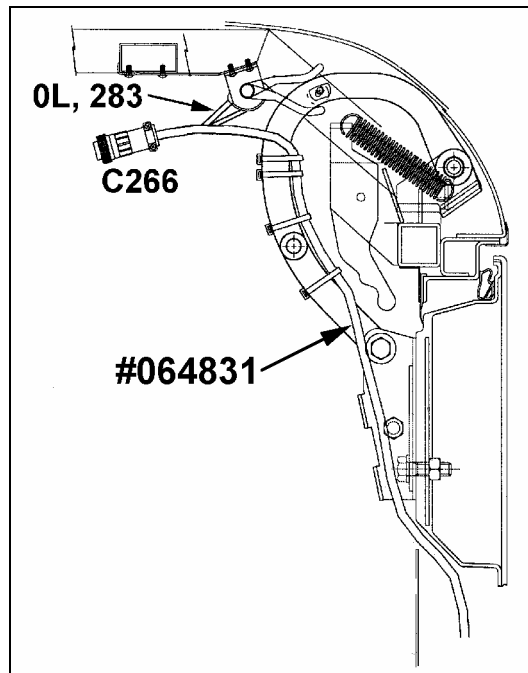


FIGURE 2: HARNESS #064831 AND DOOR HINGE

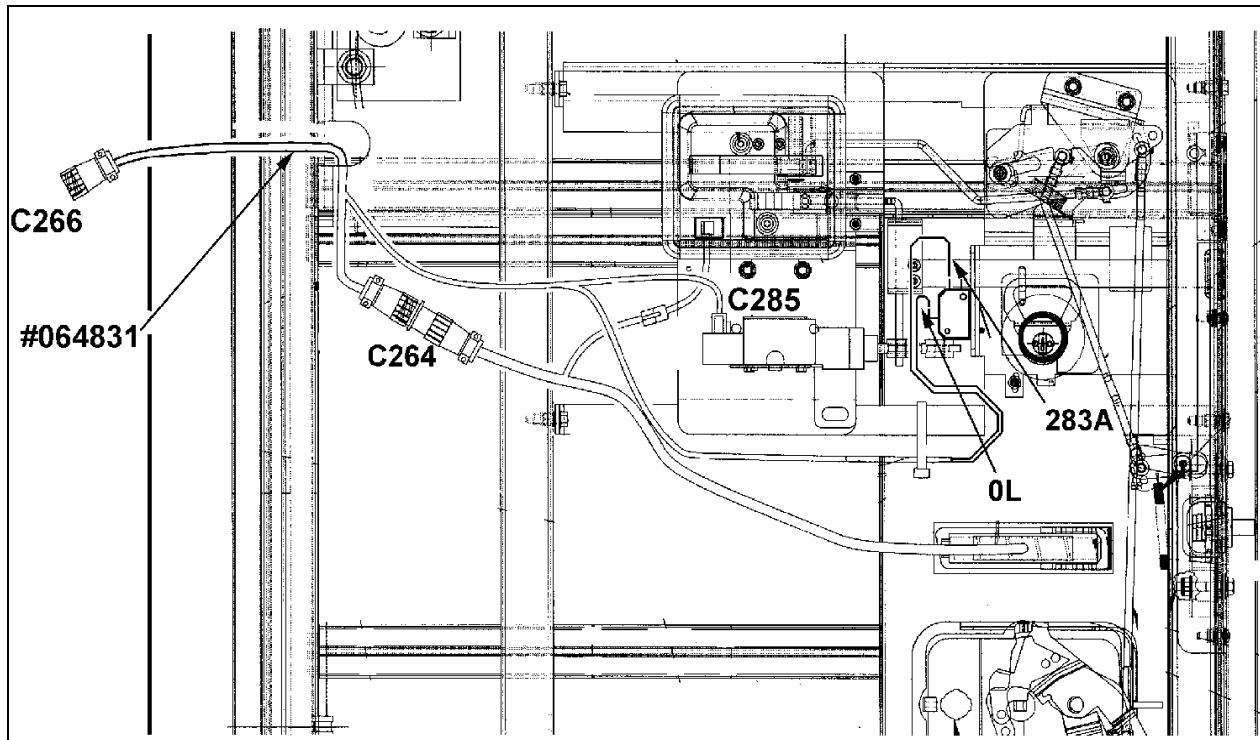


FIGURE 3: HARNESS #064831 AND INTERNAL DOOR COMPONENTS

### PART 3 – INSTALLATION OF KEYLESS MODULE XLII

**Warning:** Park vehicle safely, apply parking brake, stop engine and set battery master switch(es) to the OFF position prior to working on the vehicle.

1. Remove the access panel to the keyless entry module on the right hand side of dashboard.
2. Unplug all connectors and remove the existing module (figure 4).
3. Install new module #382327 (drilling of holes may be required on the frame). Plug connectors C266 and C267 as per figure 4.
4. Connect wires 0L and 283 to the limit switch near the door top hinge (figure 4).
5. Proceed to testing. Reinstall the access panel.

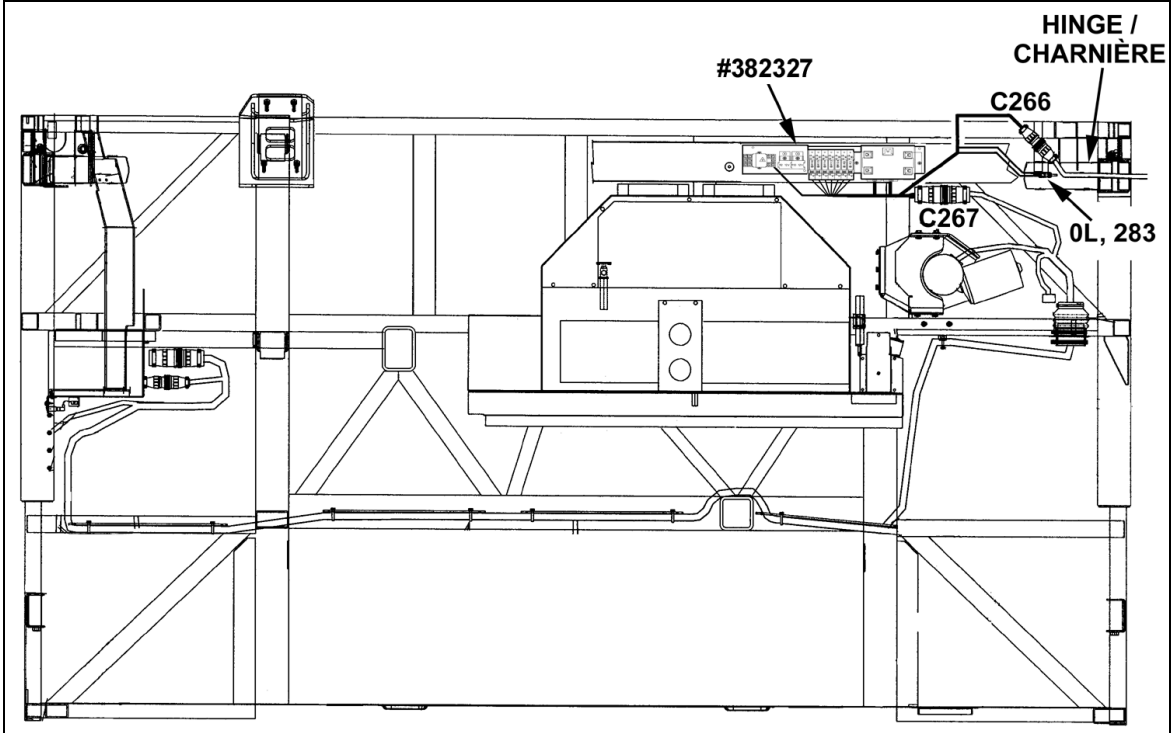
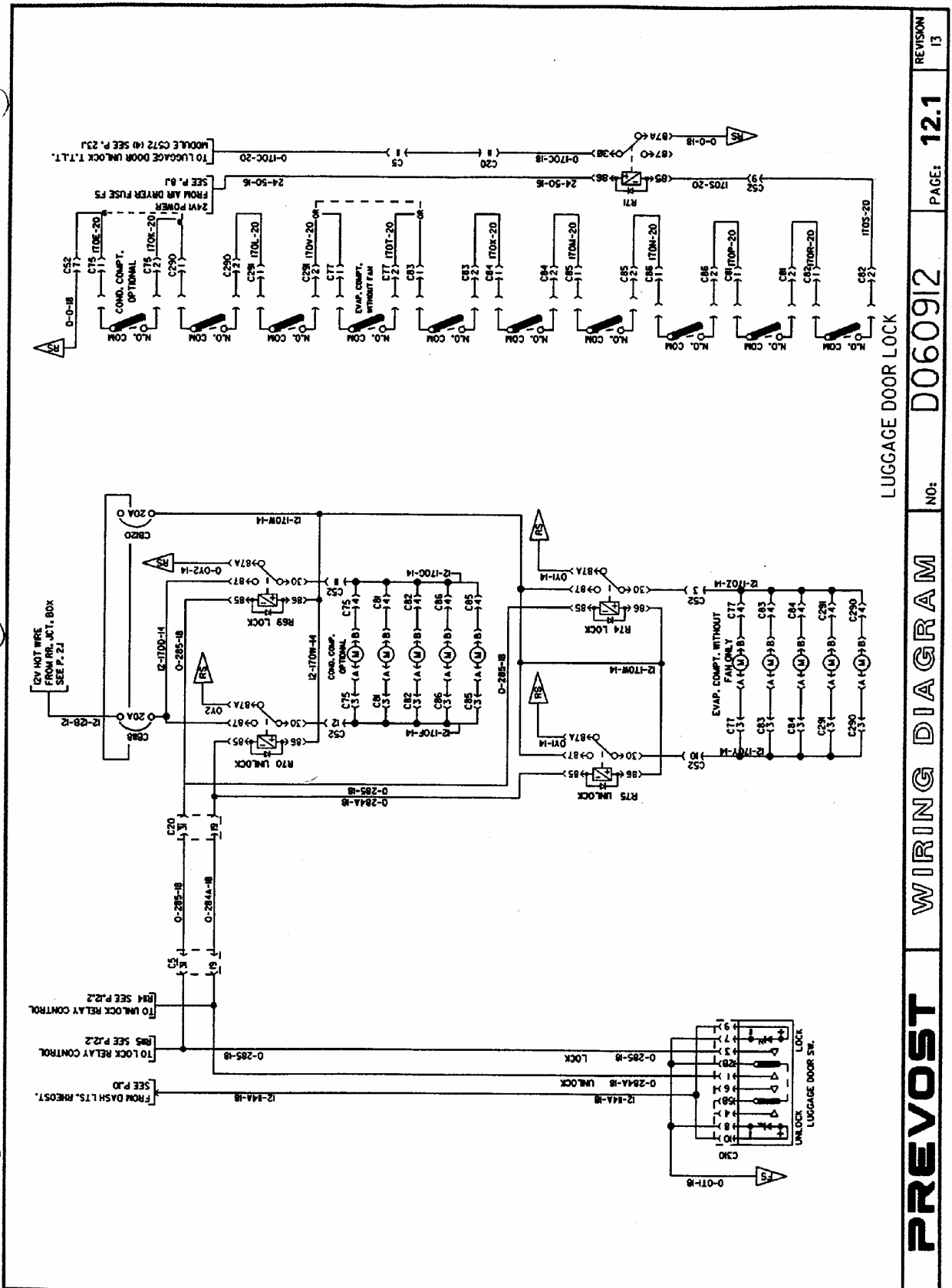
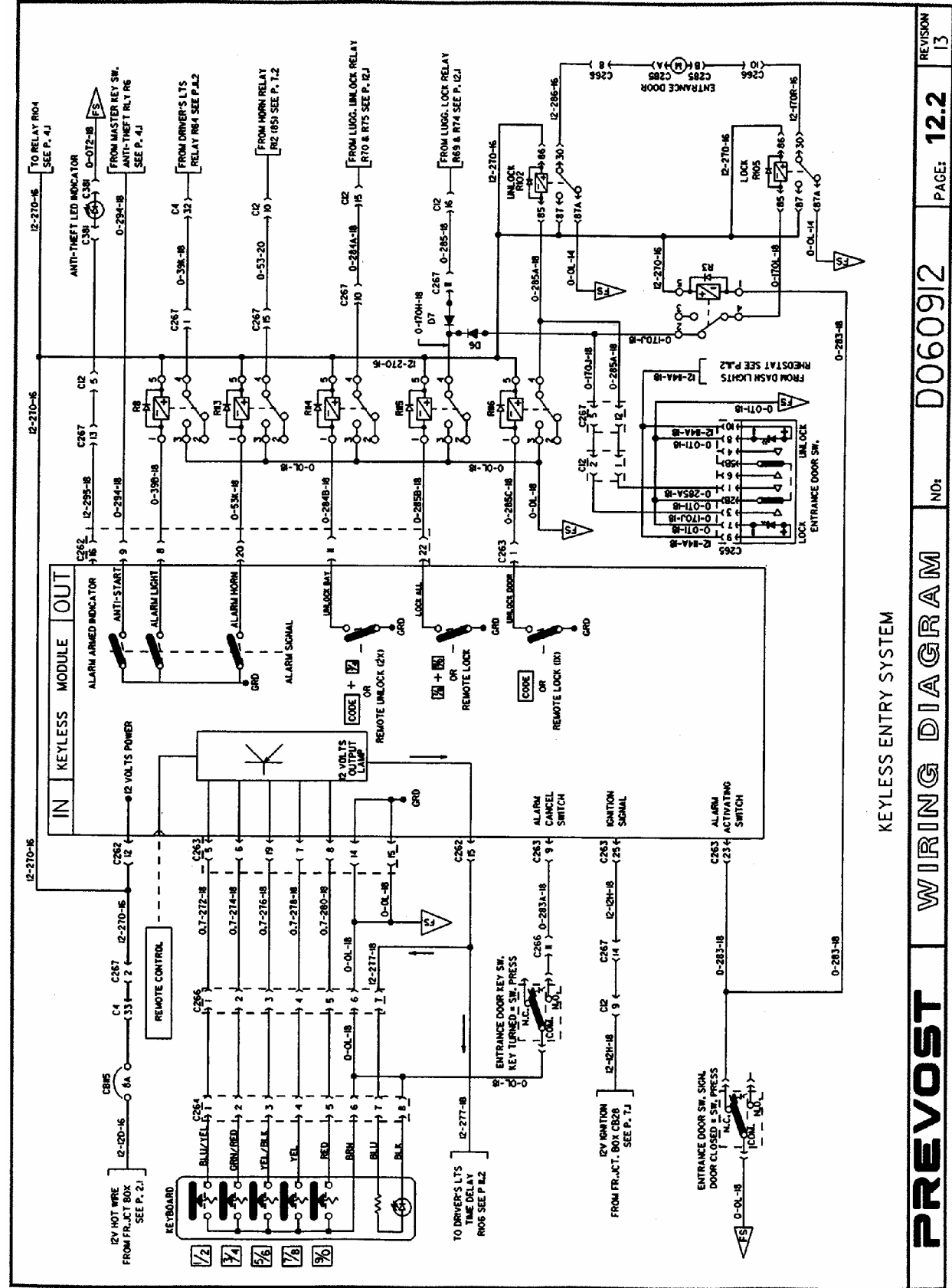


FIGURE 4: LOCATION OF KEYLESS MODULE ON FRONT STRUCTURE XLII



LUGGAGE DOOR LOCK

WIRING DIAGRAM VIP D060912 P12.1 REV13



WIRING DIAGRAM VIP D060912 P12.2 REV13

KEYLESS ENTRY SYSTEM

**PREVOST**

WIRING DIAGRAM

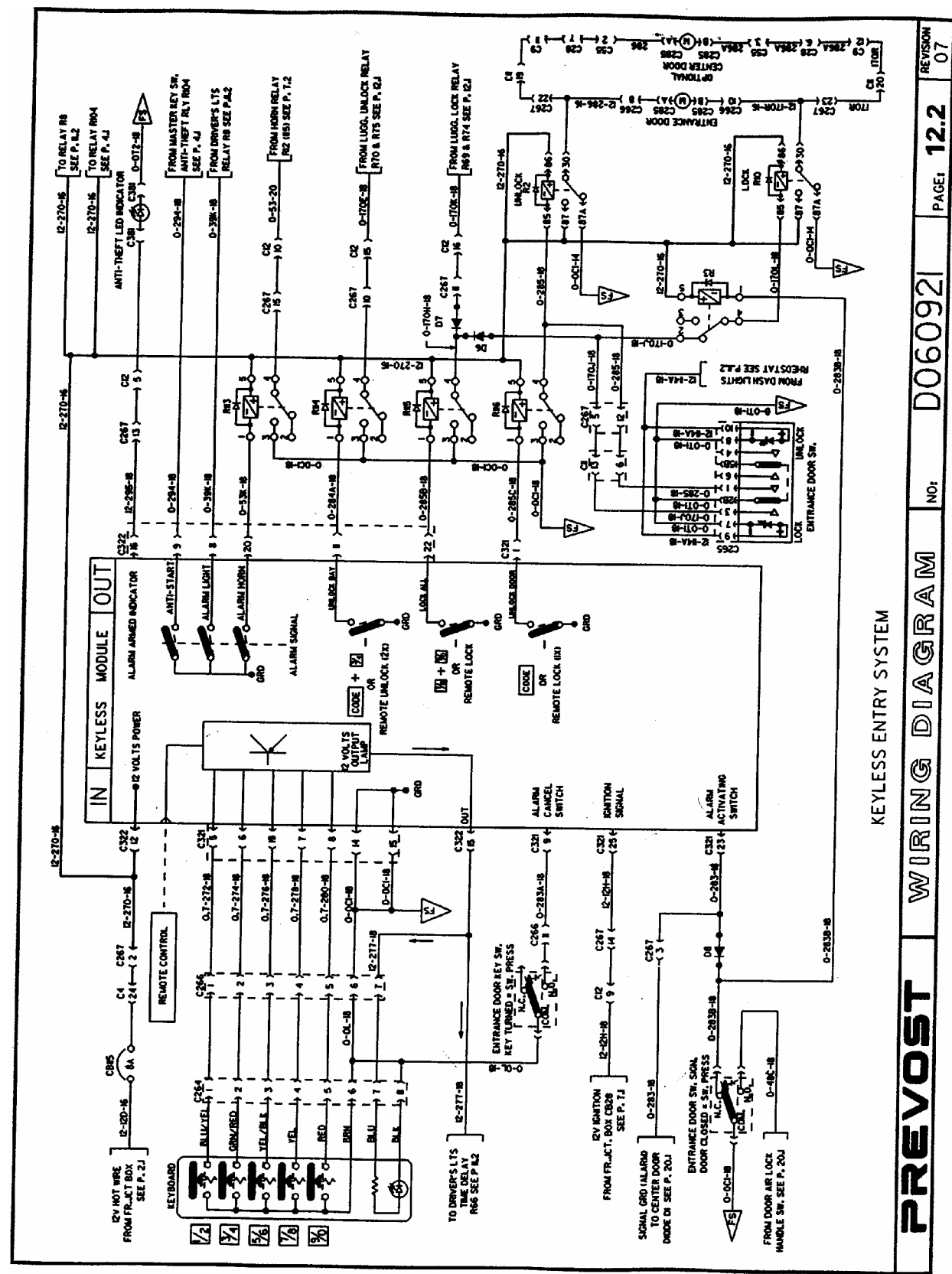
NO:

D060912

PAGE:

12.2

REVISION  
13



WIRING DIAGRAM XLII D060921 P12.2 REV 07

KEYLESS ENTRY SYSTEM

**PREVOST** WIRING DIAGRAM

NO: D060921

PAGE: 12.2

REVISION 07