

PREVOST



**WARRANTY
BULLETIN**

Wb98-26



DATE : July 1998	SECTION : 01
SUBJECT : GRINDING OF POST IN REAR ENGINE COMPARTMENT	

APPLICATION

Model	VIN
VIP 45 Model Year: 1999	  <p>2PCV33491W1012369 and from 2PCV33499X1012458 up to 2PCV33497X1012488 incl. Note : Grinding of post in rear engine compartment may have been factory performed on some vehicles PLEASE VERIFY BEFORE PROCEEDING</p>

DESCRIPTION :

In order to avoid damaging the pipe between the air cooler and the engine, a post section must be grinded down on the above mentioned vehicles. A perforation in that pipe would reduce the air pressure and affect engine performance.

PROCEDURE

Warning : Park vehicle safely, apply parking brake, stop engine and set battery master switch(es) to the OFF position prior to working on the vehicle.

1. Open the rear engine compartment door.
2. Locate :
 - The pipe in between air cooler and engine (1, figure 1);
 - The metallic post holding the left hand cylinder used to open the rear engine compartment door.
3. Grind down or cut the metallic post (2, figure 2) in order to create a 1/2 in (1,5 cm) gap between the pipe (1, figure 2) and the post. If there is already a 1/2 in (1,5 cm) gap, no modification is needed.
4. If necessary, move the pipe in order to have a 1/2 in (1,5 cm) gap.

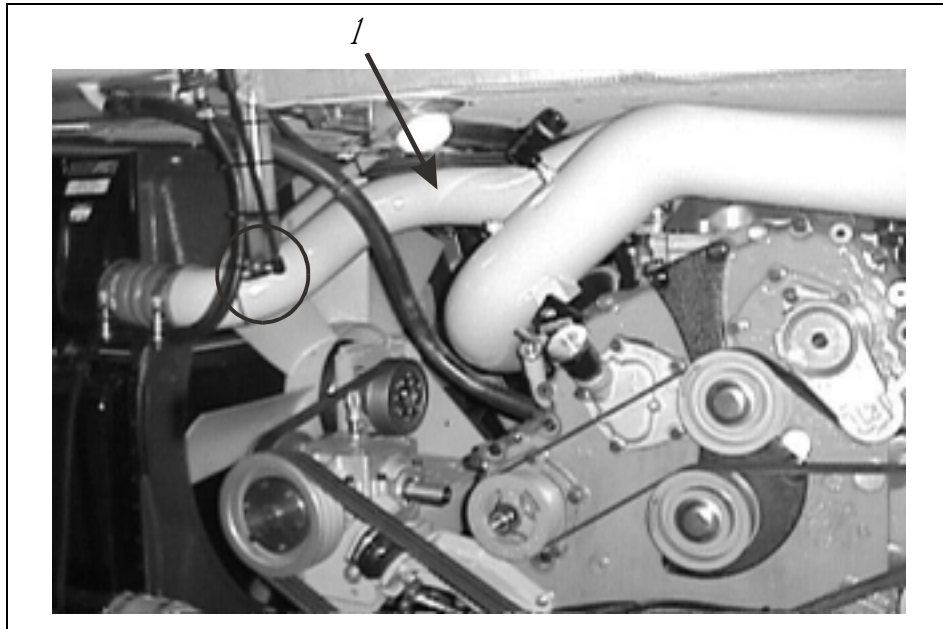


FIGURE 1: PIPE BETWEEN AIR COOLER AND ENGINE.

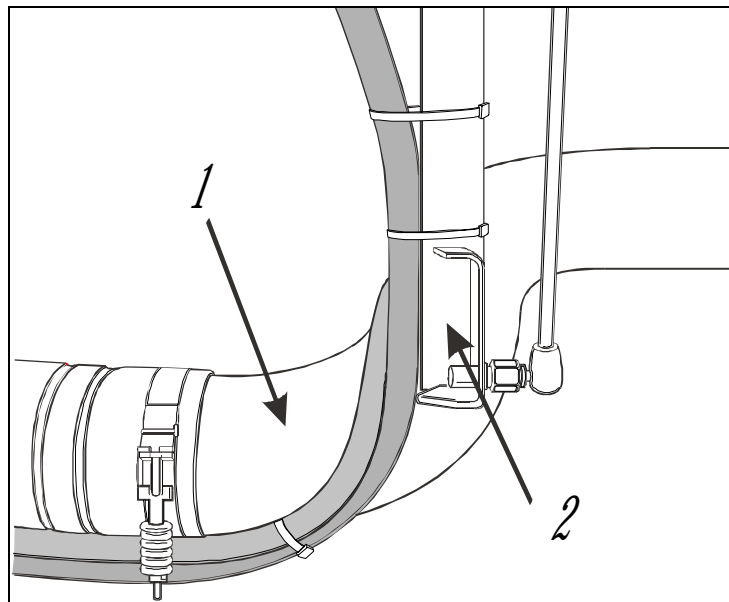


FIGURE 2: (1) PIPE BETWEEN AIR COOLER AND ENGINE
(2) METALLIC POST

WARRANTY

This modification is covered by Prévost Car's normal warranty. We will reimburse you 30 minutes (0.5 hr) of labor upon receipt of a completed A.F.A. form on which you must specify as per "Warranty Bulletin Wb98-26".

Parts disposition :

- Discard according to applicable environmental regulations (Municipal/State[Prov.]/ Federal)

Expiration date : July 1999