

PREVOST

ENREGISTRÉ - REGISTERED
ISO 9001 & ISO 14001

**WARRANTY
BULLETIN**

Wb99-18



DATE: SEPTEMBER 1999	SECTION: 06 - Electrical
EXPIRATION: September 2000	
SUBJECT: PROTECTION OF THE RELAYS LOCATED IN THE FRONT SERVICE COMPARTMENT	

APPLICATION

Model	VIN
VIP-45 Model Year: 1997 - 1999	From 2PCV33494V1011795 up to 2PCV33491X1013037 incl.
H3-41 and H3-45 Coaches Model Year: 1997 - 1999	From 2PCH3349XV1011779 up to 2PCH33497X1013038 incl. And 2PCH33419V1011718

DESCRIPTION

On the above-mentioned vehicles, it is necessary to add a protector to the relays located in the front service compartment in order to avoid water damaging the relays.

MATERIAL

Part No.	Description	Qty
286228	Protector	1
500641	Screw	3
500438	Washer	3

Note: Material can be obtained through regular channels.

PROCEDURE

Warning: Park vehicle safely, apply parking brake, stop engine and set battery master switch(es) to the OFF position prior to working on the vehicle.

1. Open the front service compartment (figure 1).
2. Remove the relay support fixing screws (figure 2, item 1).
3. Install #286228 protector (figure 3) above the relays at the location shown on figure 2, item 1. Use #500641 screws and #500438 washers.

Note: To see the identification numbers of the relays, gently lift the protector.

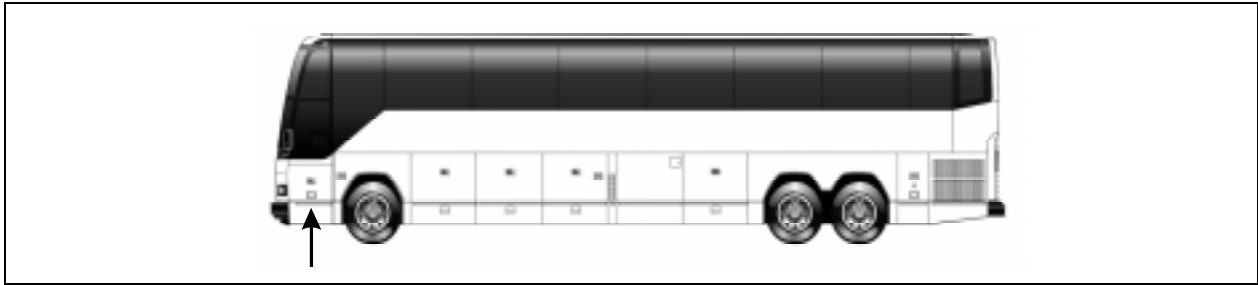


Figure 1: Location of the front service compartment.

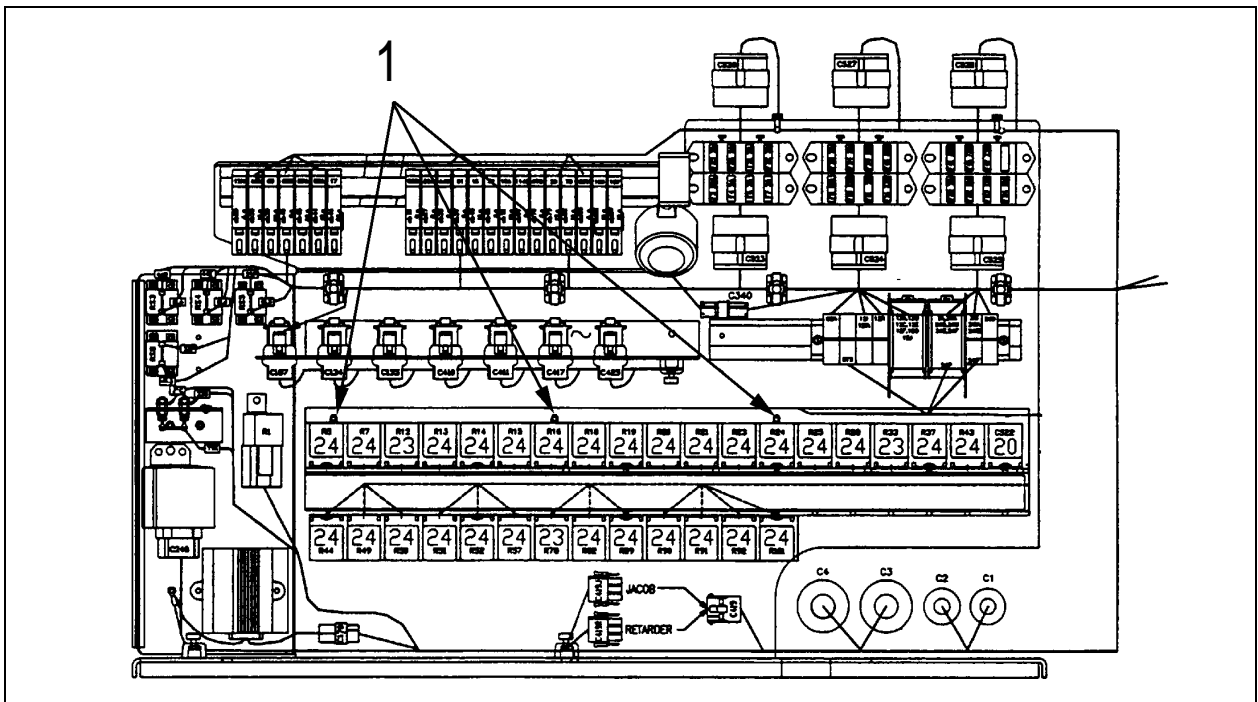


Figure 2: Front service compartment. (1) Screws to remove.

WARRANTY

This modification is covered by Prévost Car's normal warranty. We will reimburse you the parts and 15 minutes of labor upon receipt of a completed A.F.A. form on which you must specify as per "Warranty Bulletin 99-18".

Parts disposition:

Discard according to applicable environmental regulations (Municipal/State[Prov.]/ Federal).

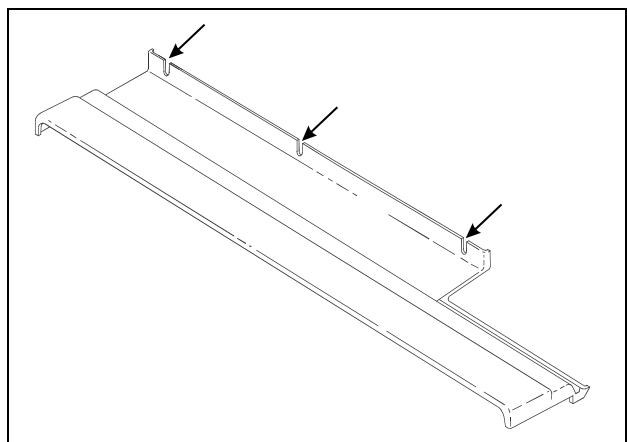


Figure 3: #286228 Protector.